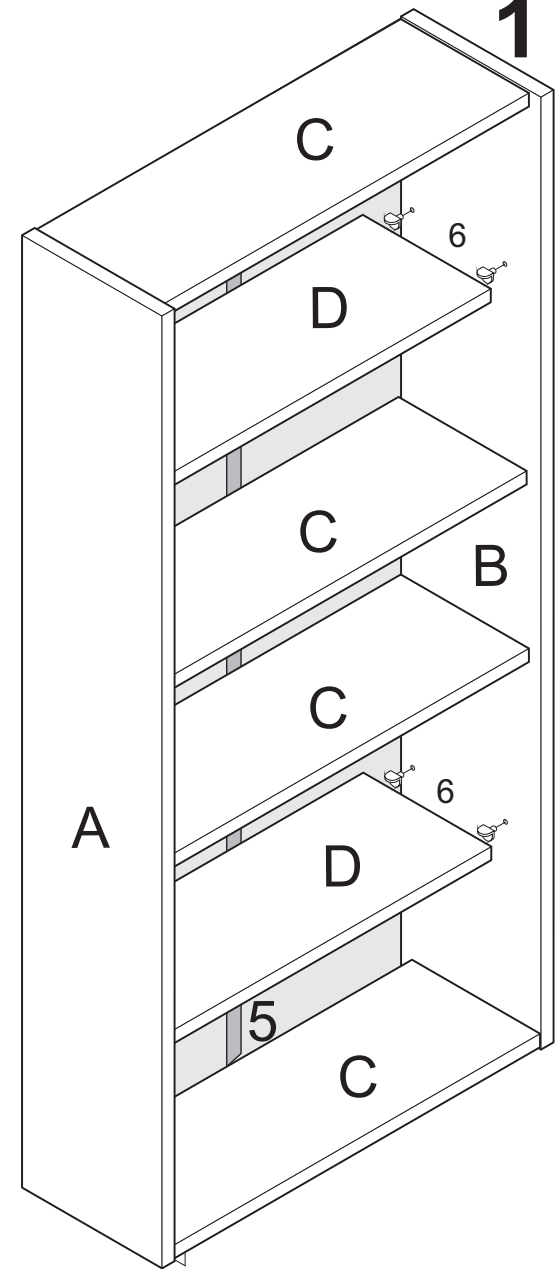
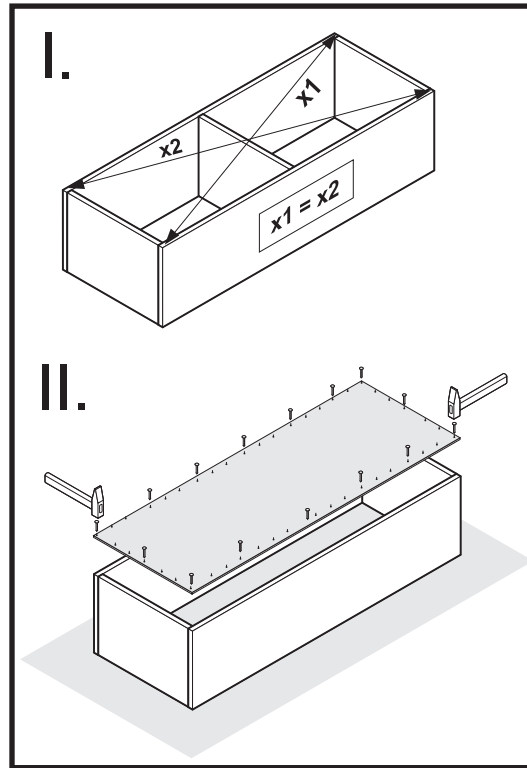
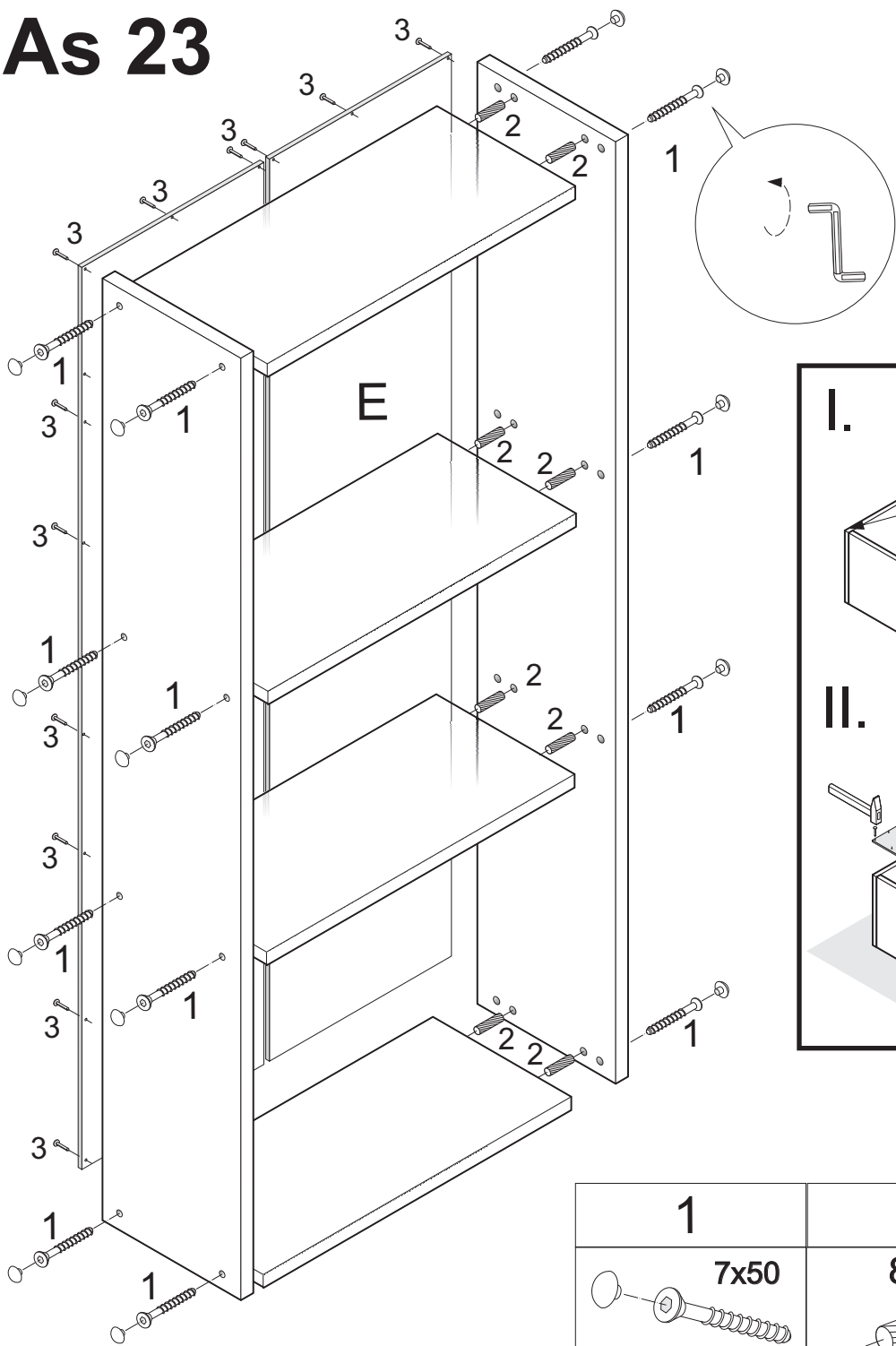
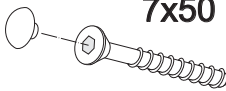

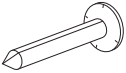

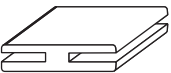



As 23

1 / 2



| 1 | 2 | 3 | 4 | 5 | 6 |
|--|--|---|---|---|---|
|  7x50 |  8x35 |  |  |  |  |

As 23

2 / 2

