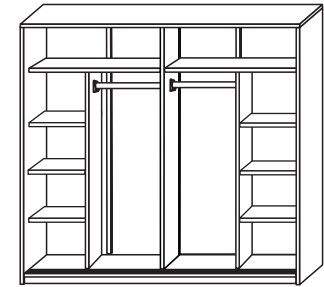
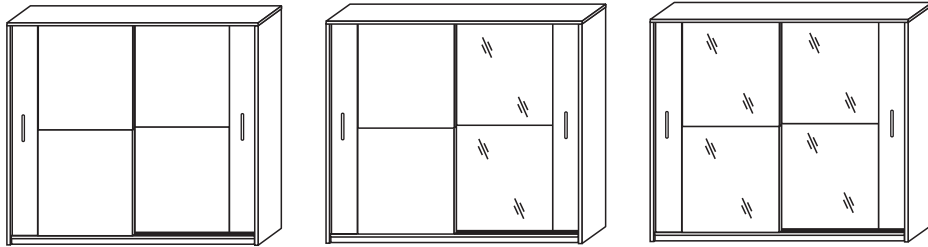


COMBO

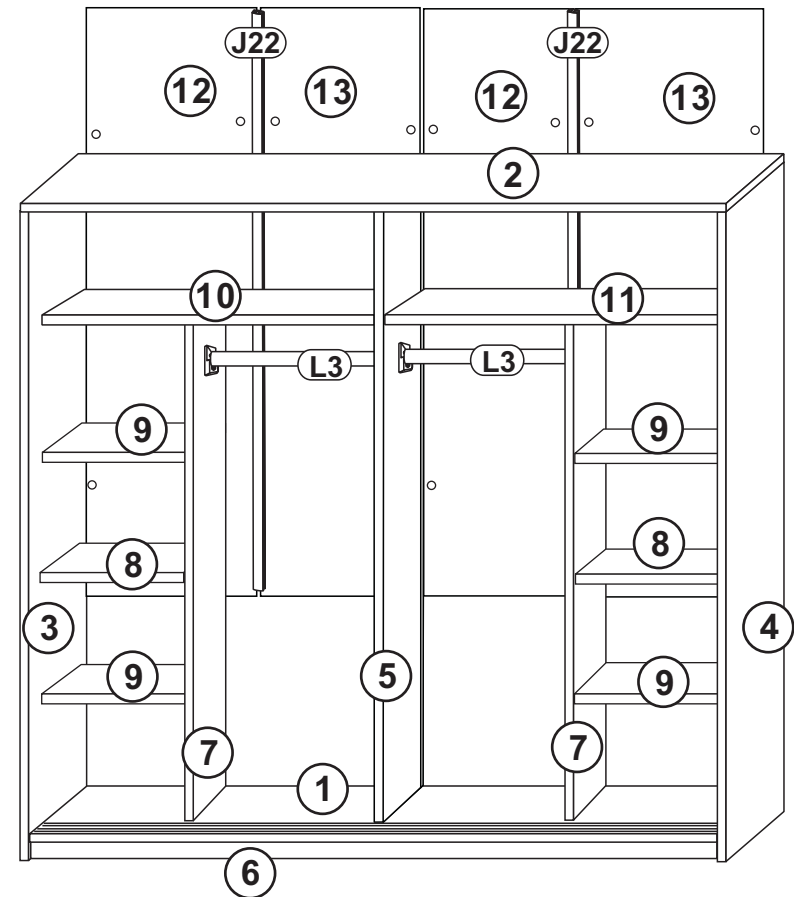
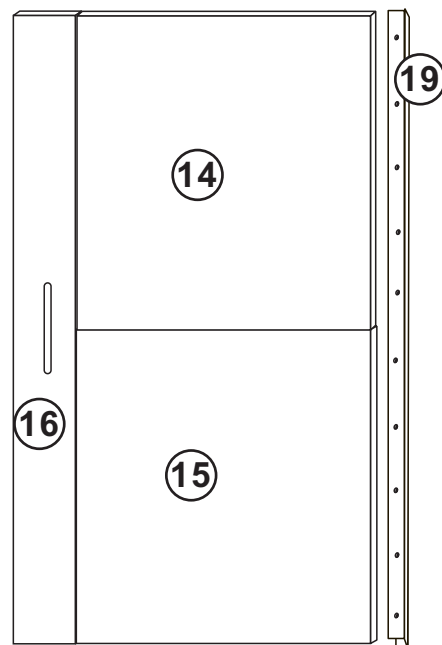
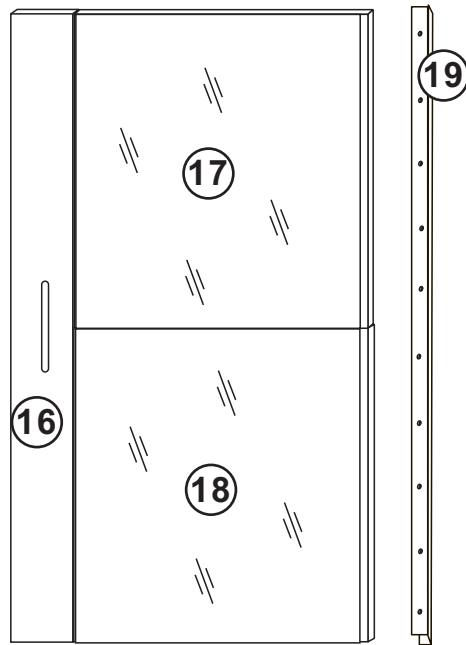
P4--CO K2

1 / 12





P4--COL3


P4--COD3

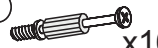



1


T6  x8


C2  x20

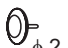
M1  x20


T1  x16


B1  ϕ 8x28mm x24


B2  ϕ 8x50mm x2

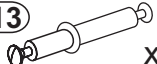
K1  ϕ 7x50mm x8


C1  ϕ 2 x4

M6  x12


P16  ϕ 4,2x13mm x12


W1  x16


T13  x2


S4  3,0x20 x26

2


F7  x4

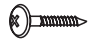
S2  ϕ 3,0x13mm x4


L1  x1


L4  x6


3

I27  x6


P7  3,5x16 x6

P8  3,5x13 x6


I28  x6

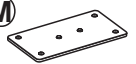
P8  3,5x13 x18


4


L5  x1
L=2074 mm

5

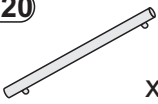
B2  ϕ 8x50mm x32


PM  x8

S2  ϕ 3,0x13mm x20

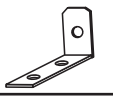
P2  ϕ 4,0x13mm x44


6

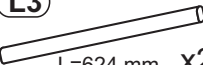
U20  x2

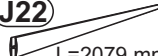
A2  M4x40 x4

7

J11  x2









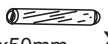
P13  ϕ 3,5x13 mm x4

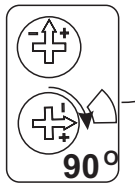
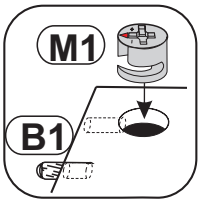
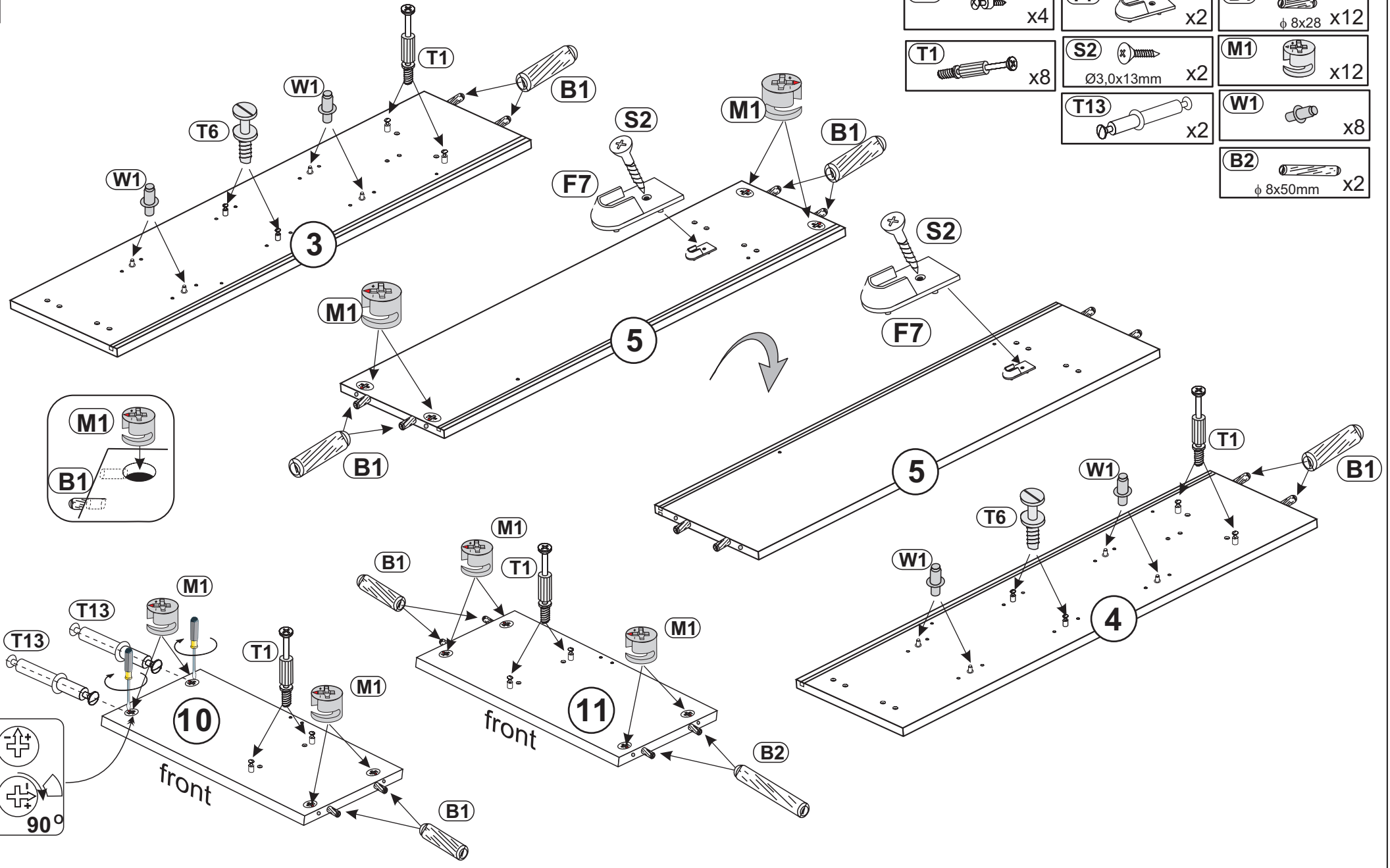
L3  L=624 mm x2

J22  L=2079 mm x2



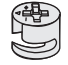



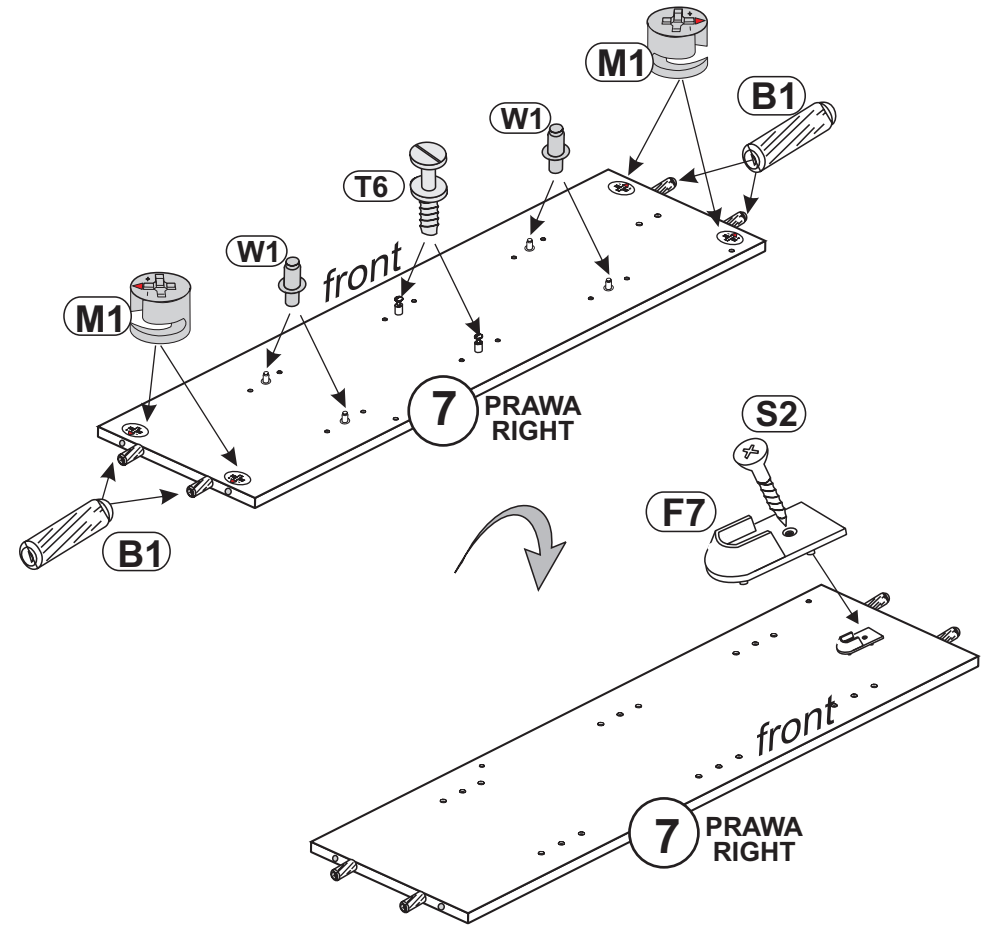
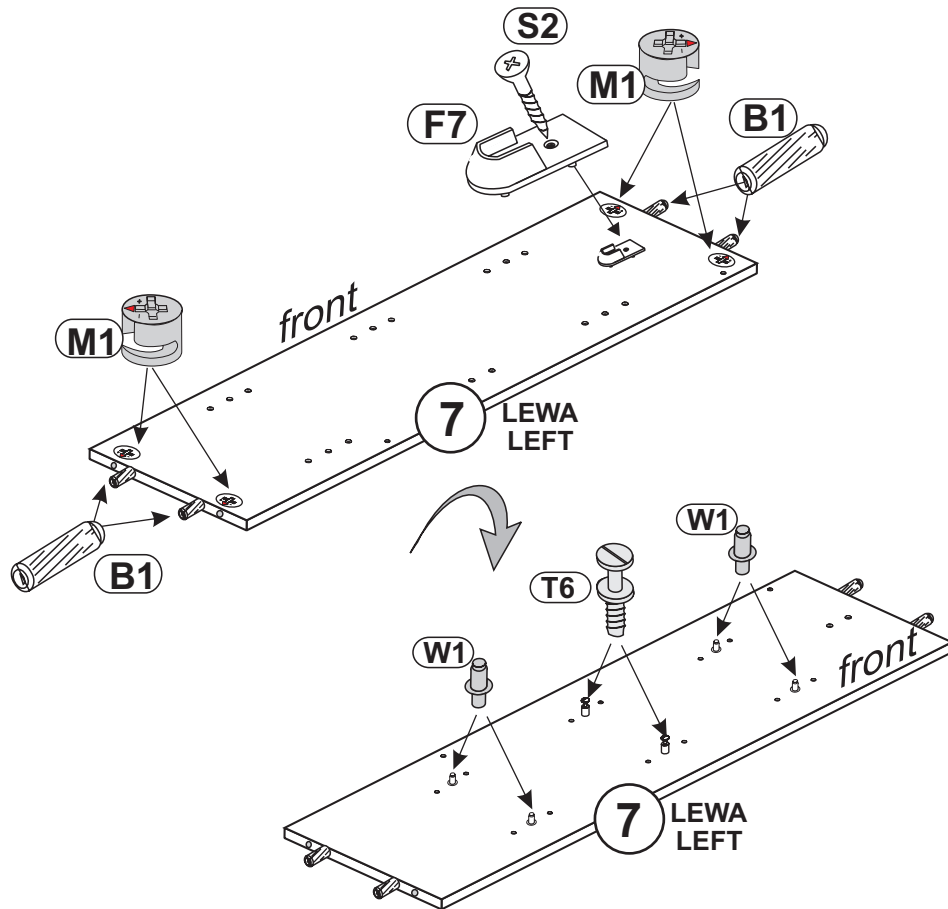
1

T6  x4	F7  x2	B1  ϕ 8x28 x12
T1  x8	S2  ϕ 3,0x13mm x2	M1  x12
T13  x2	W1  x8	B2  ϕ 8x50mm x2

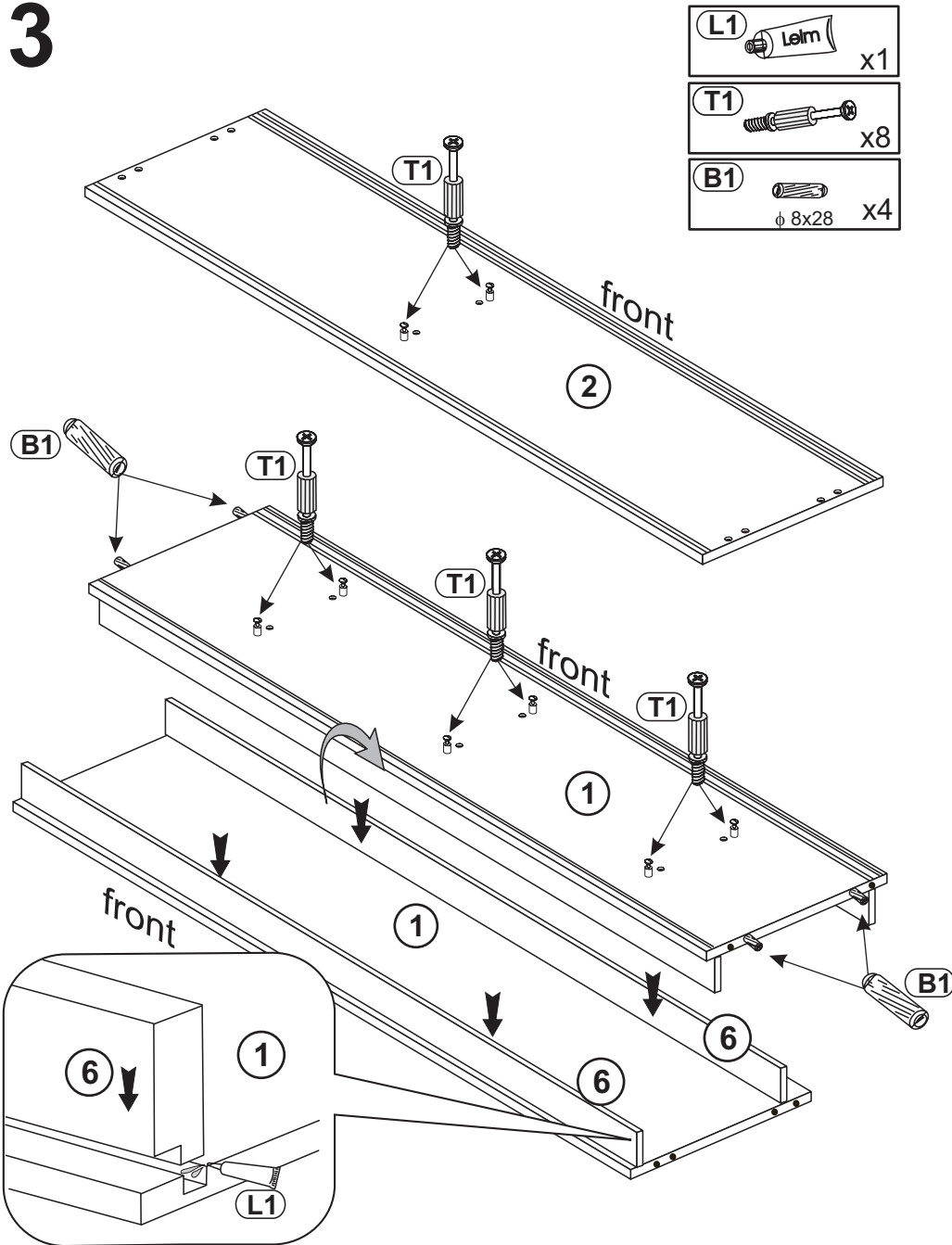


2

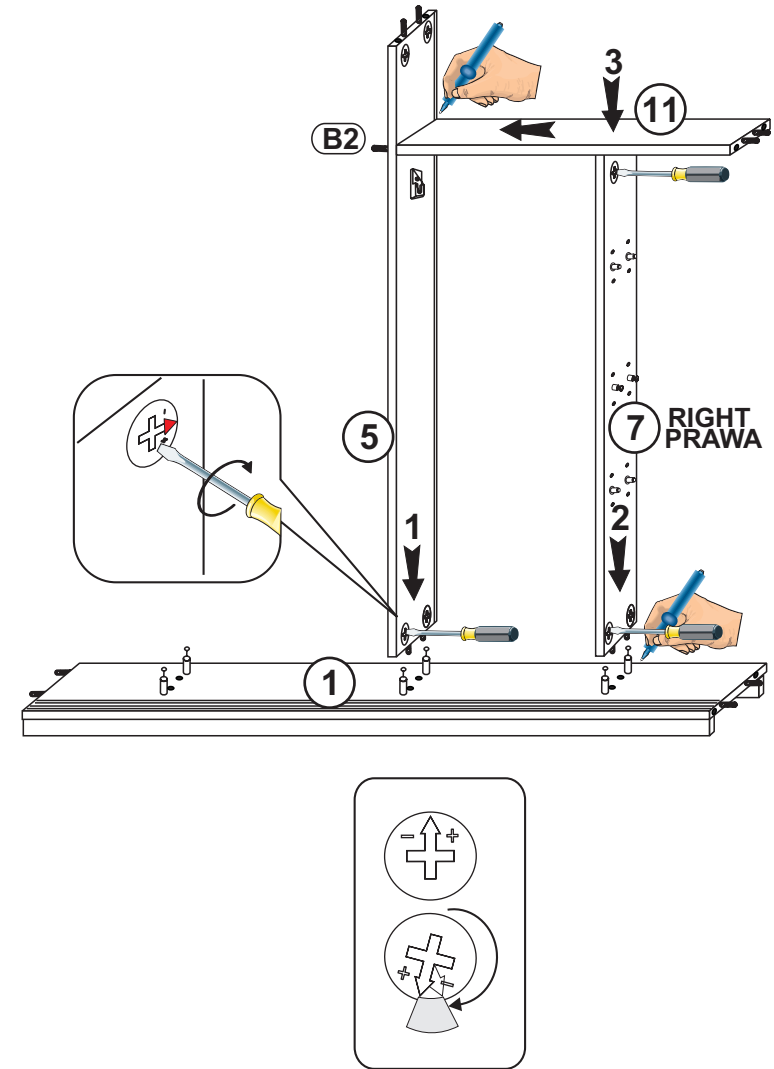
B1	 $\phi 8 \times 28$ x8	T6	 x4
M1	 x8	W1	 x8



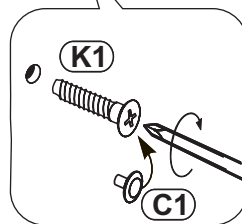
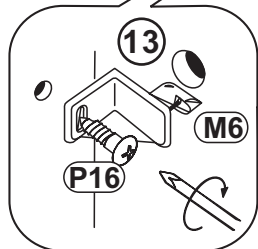
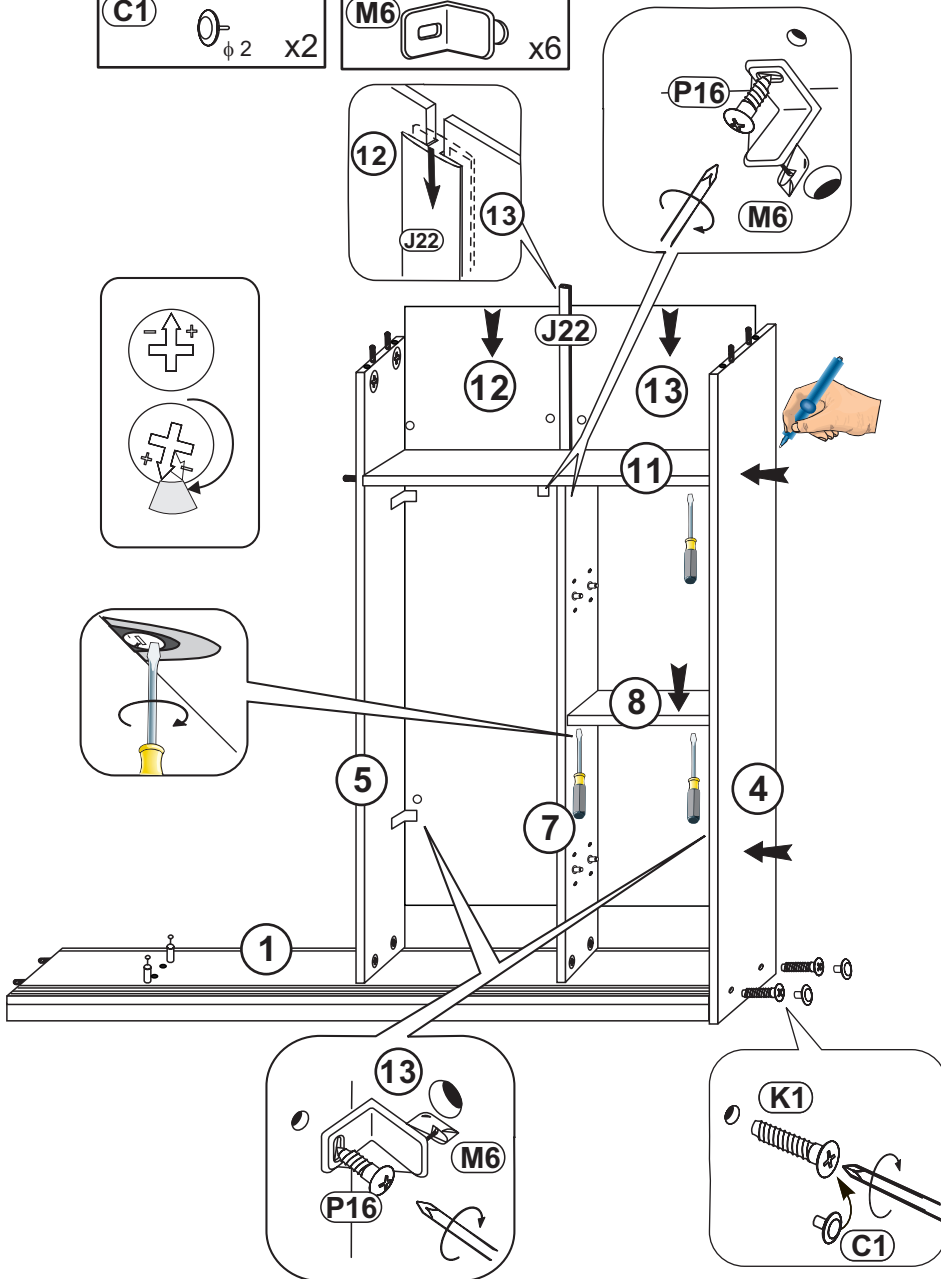
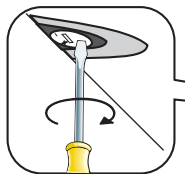
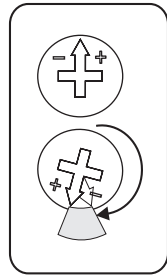
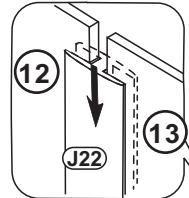
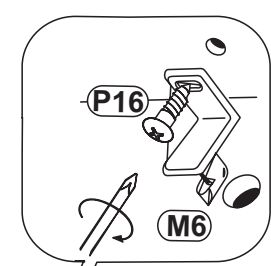
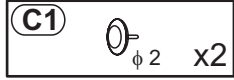
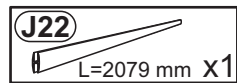
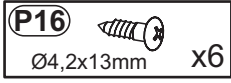
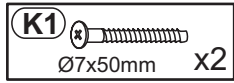
3



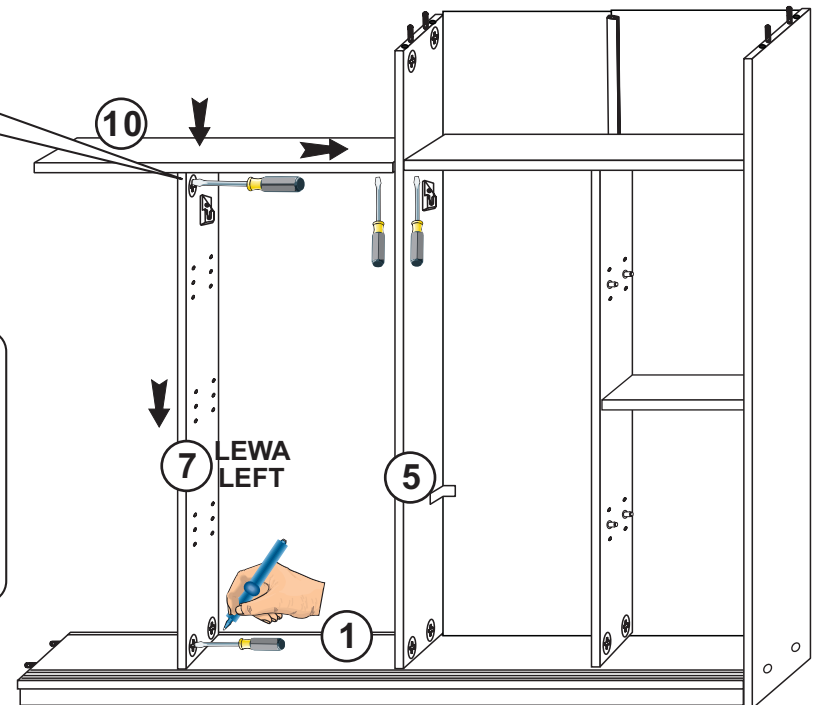
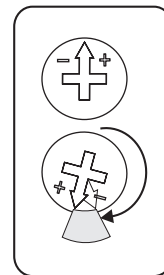
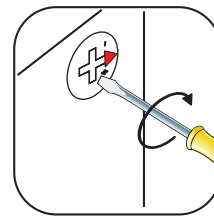
4



5





6



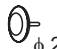
7

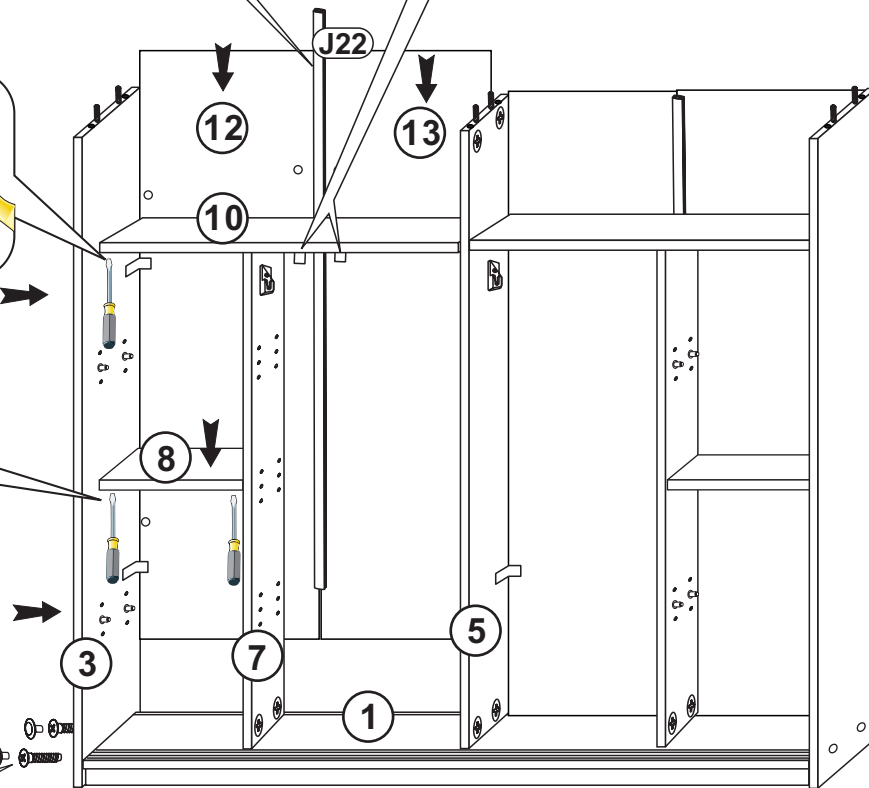
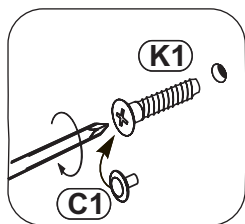
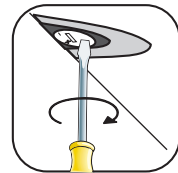
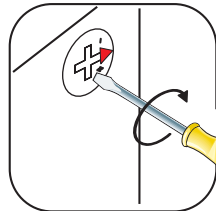
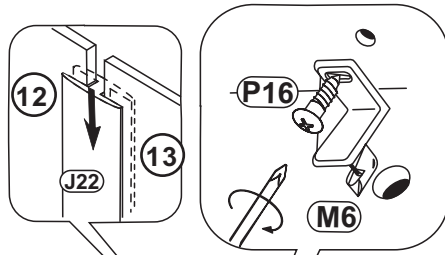
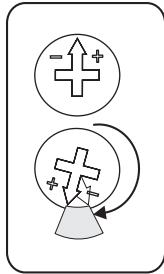
P16  x6
Ø4,2x13mm

J22  x1
L=2079 mm


K1  x2
Ø7x50mm


M6  x6

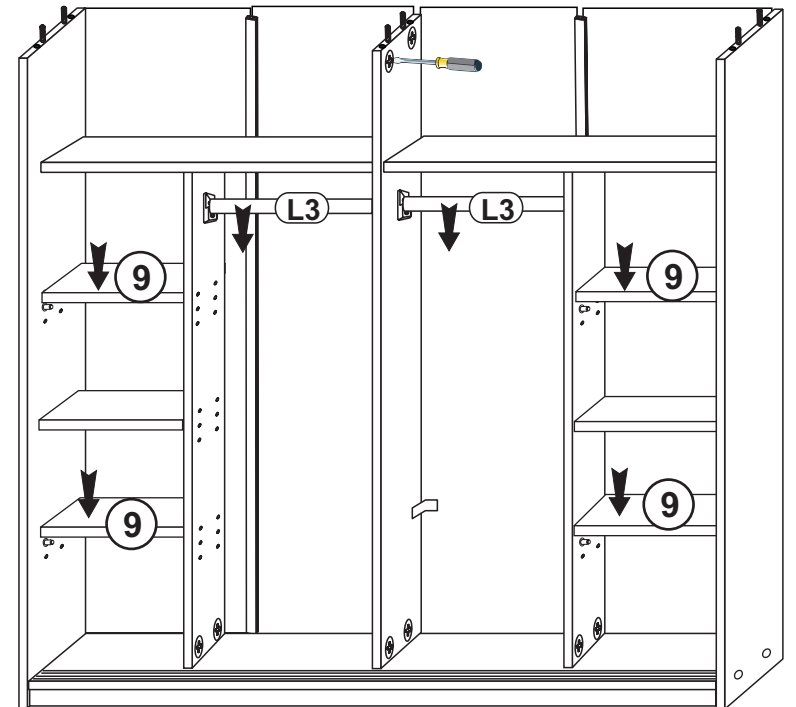
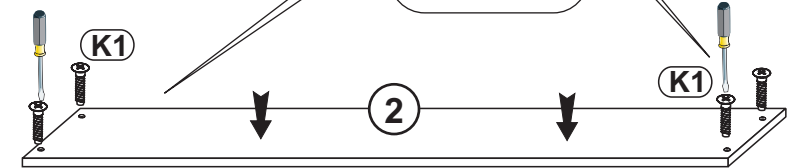
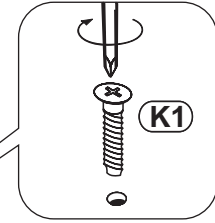
C1  x2
φ 2




8

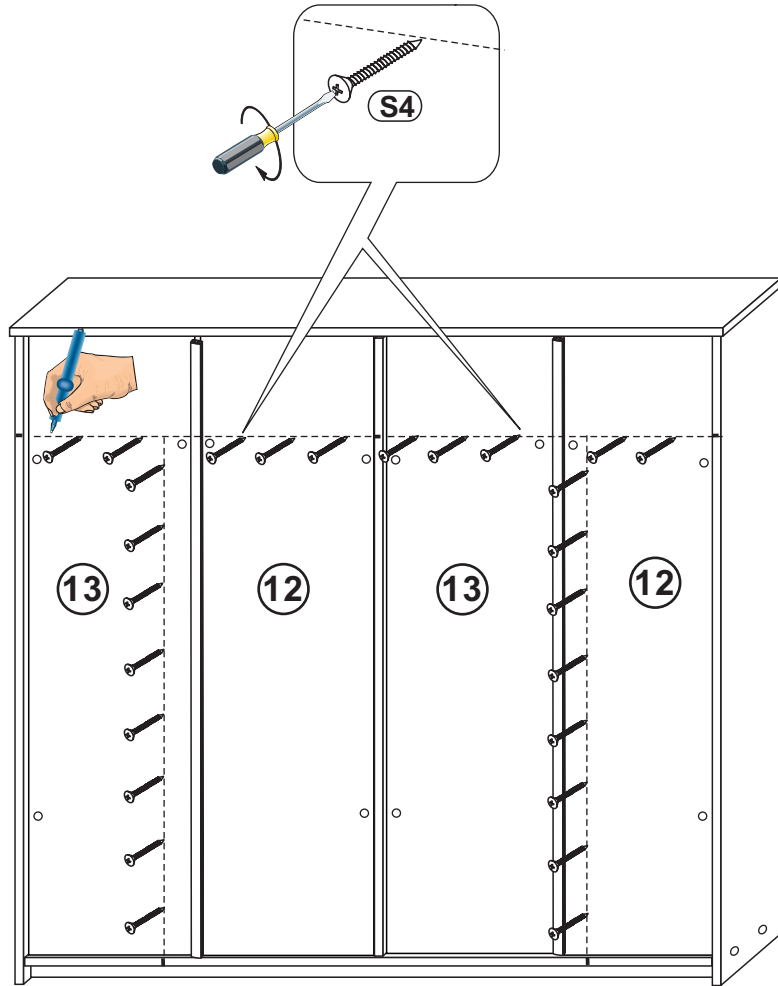
K1  x4
Ø7x50mm

L3  x2
L=624 mm

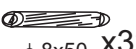


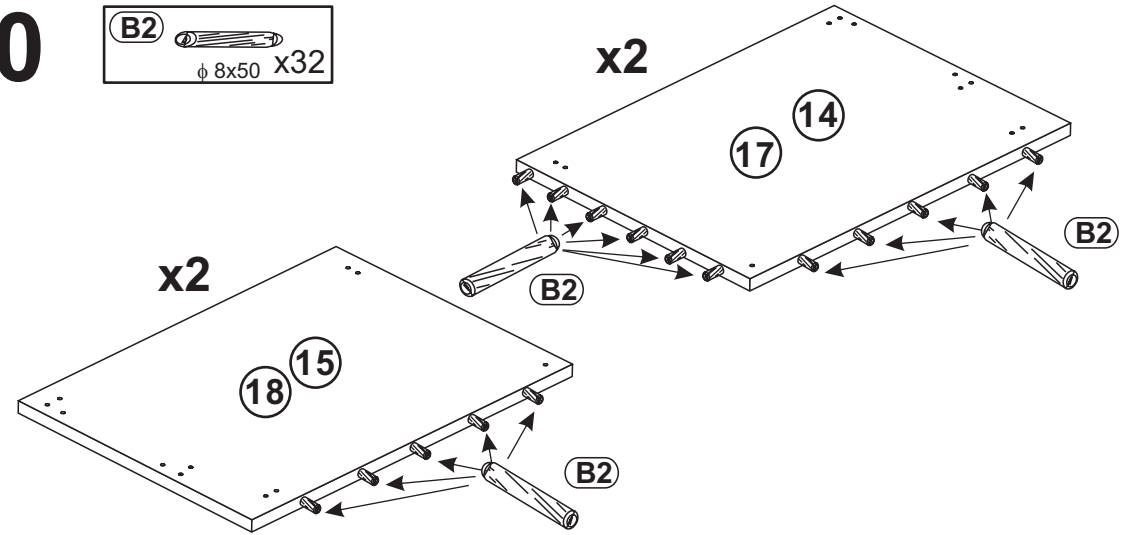
9

S4  3,0x20 x26

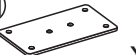



10


B2  ϕ 8x50 x32

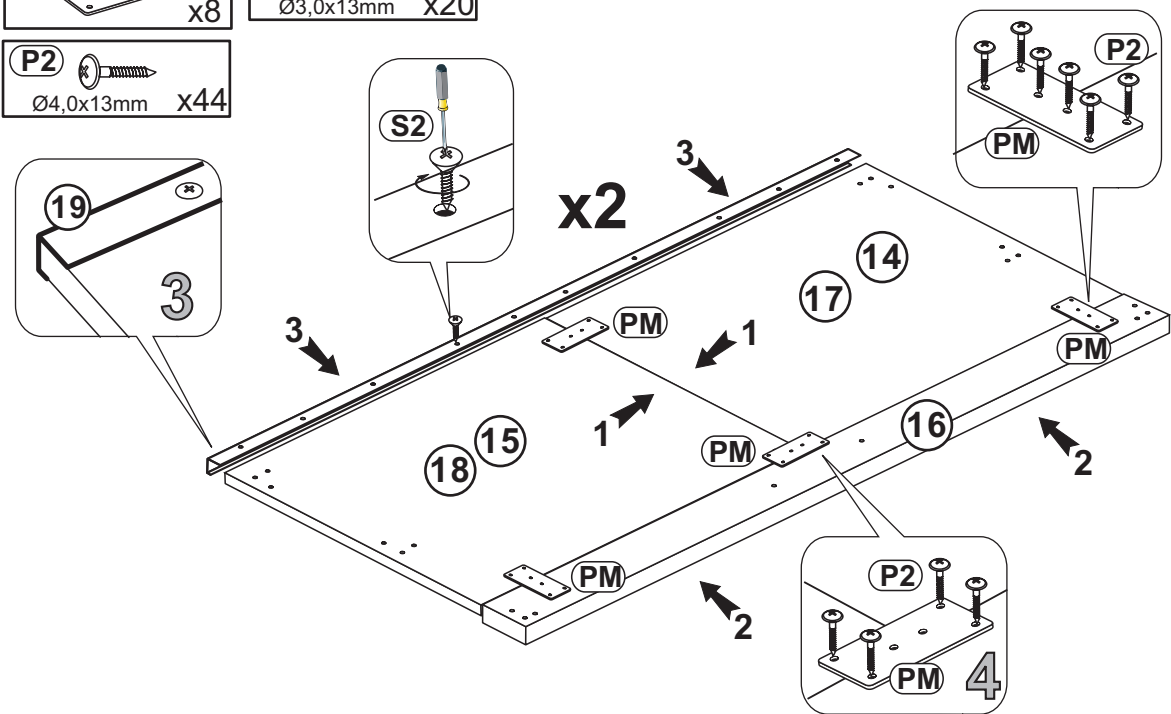


11

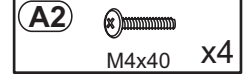
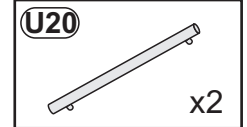
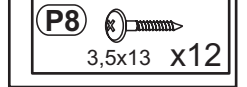
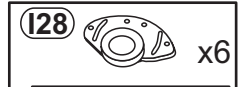
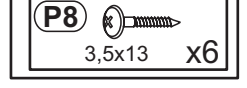
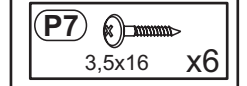
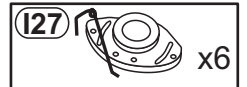
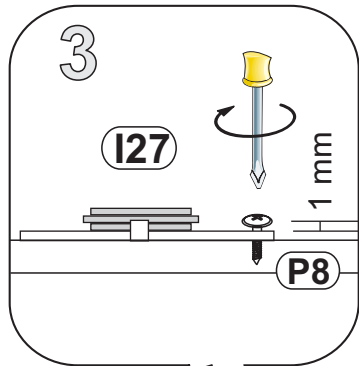
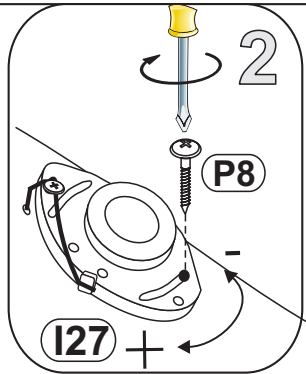
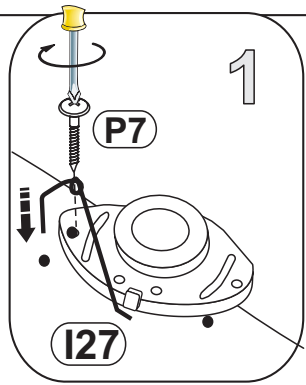
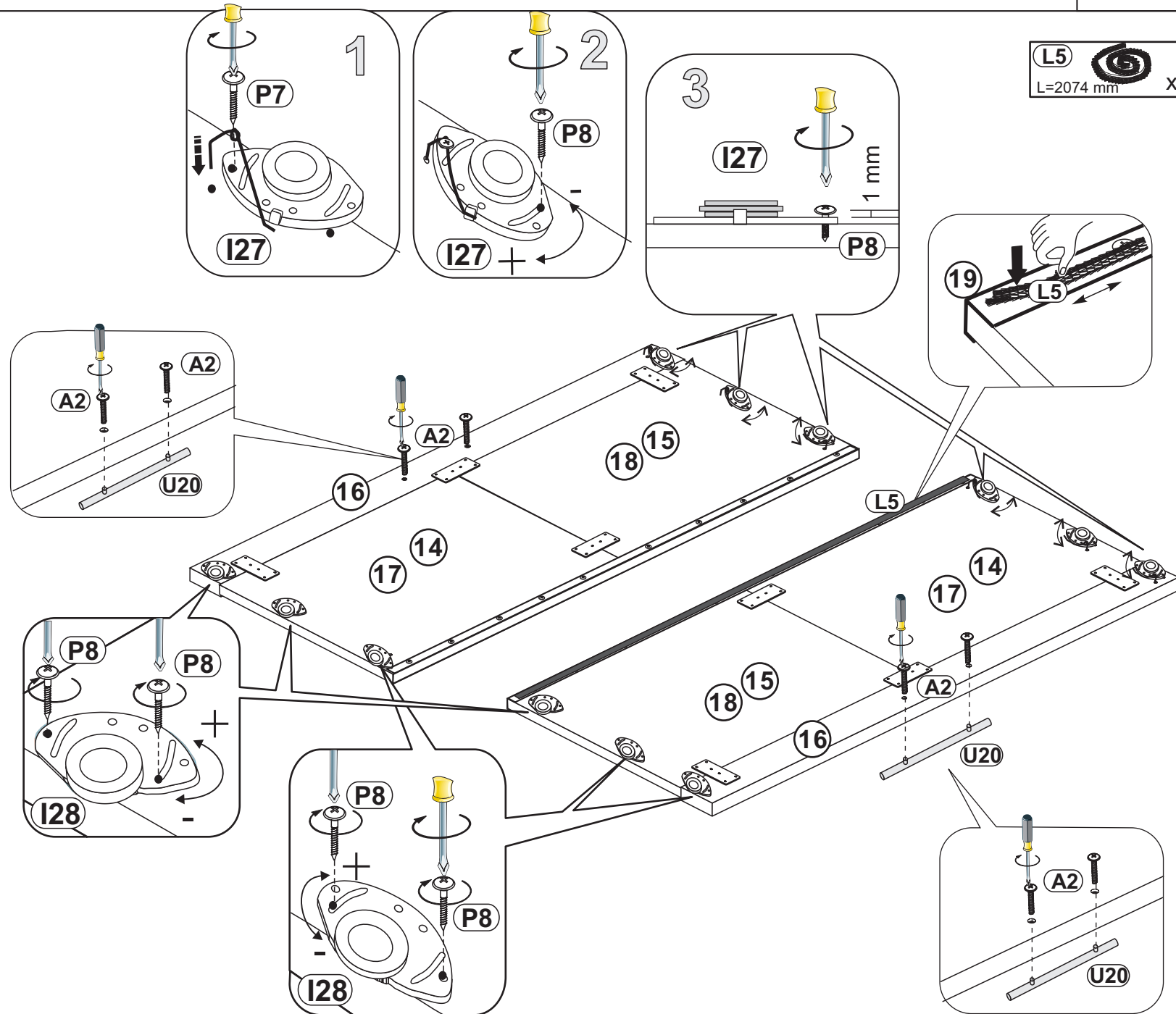
PM  x8

S2  \varnothing 3,0x13mm x20

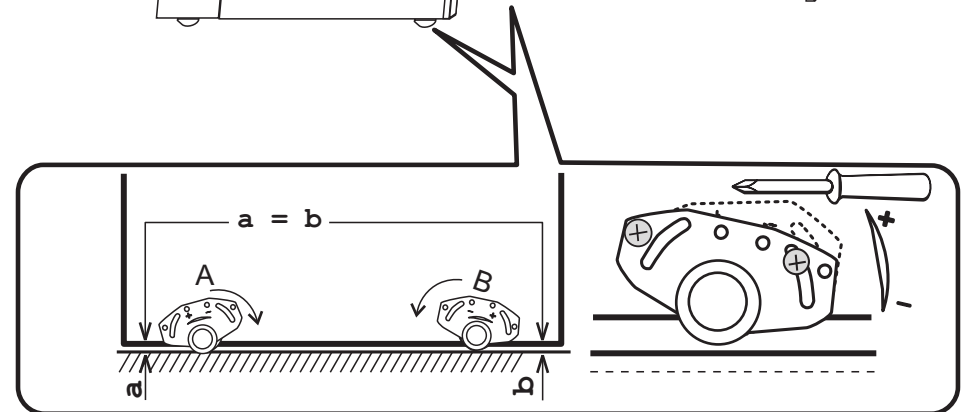
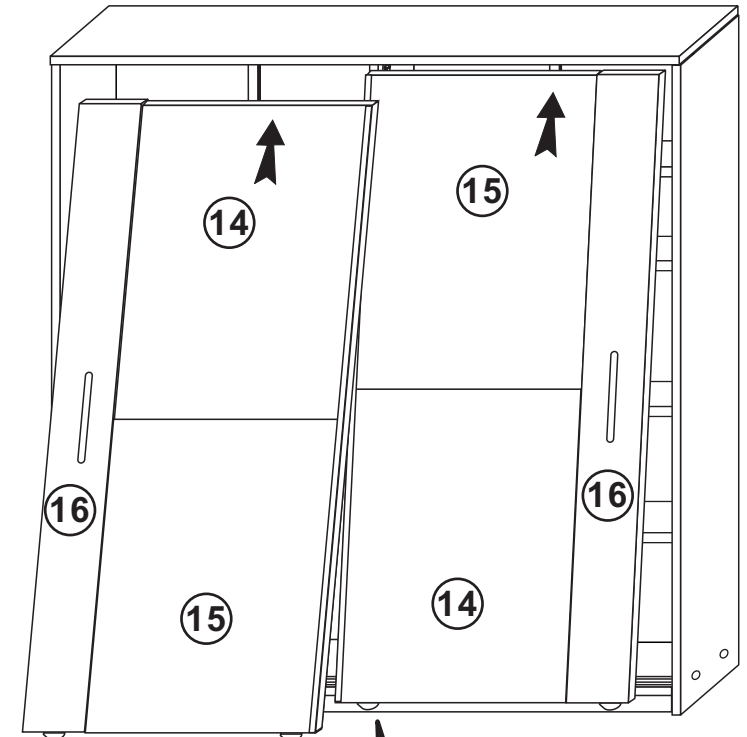
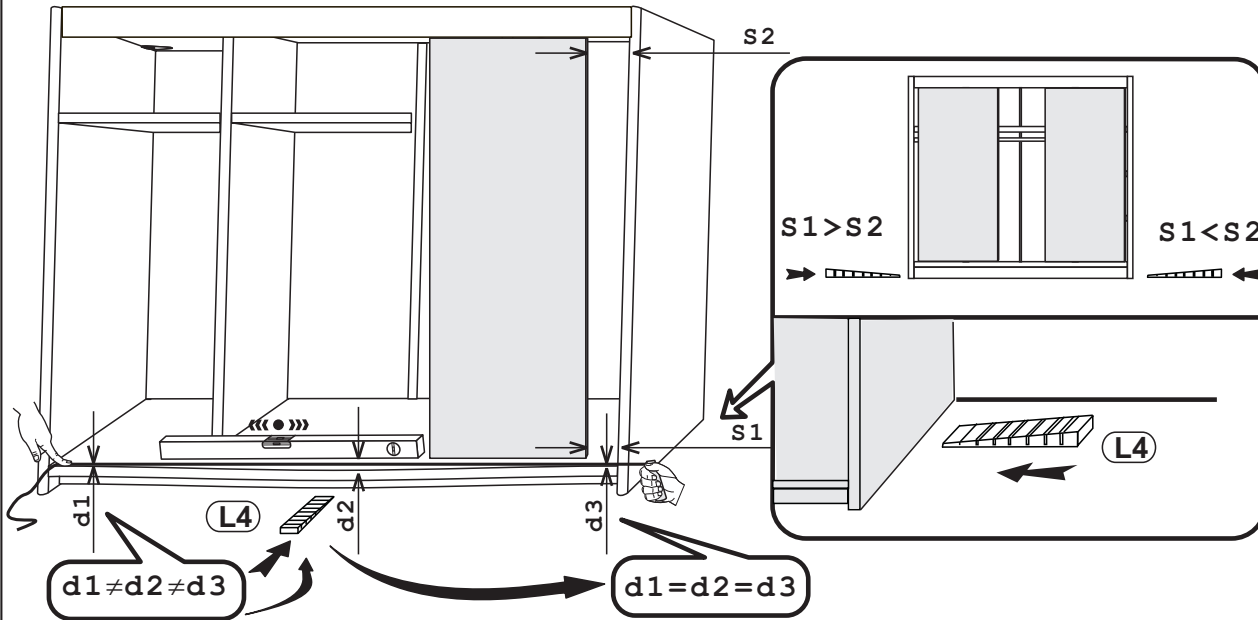
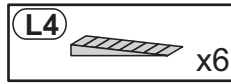
P2  \varnothing 4,0x13mm x44



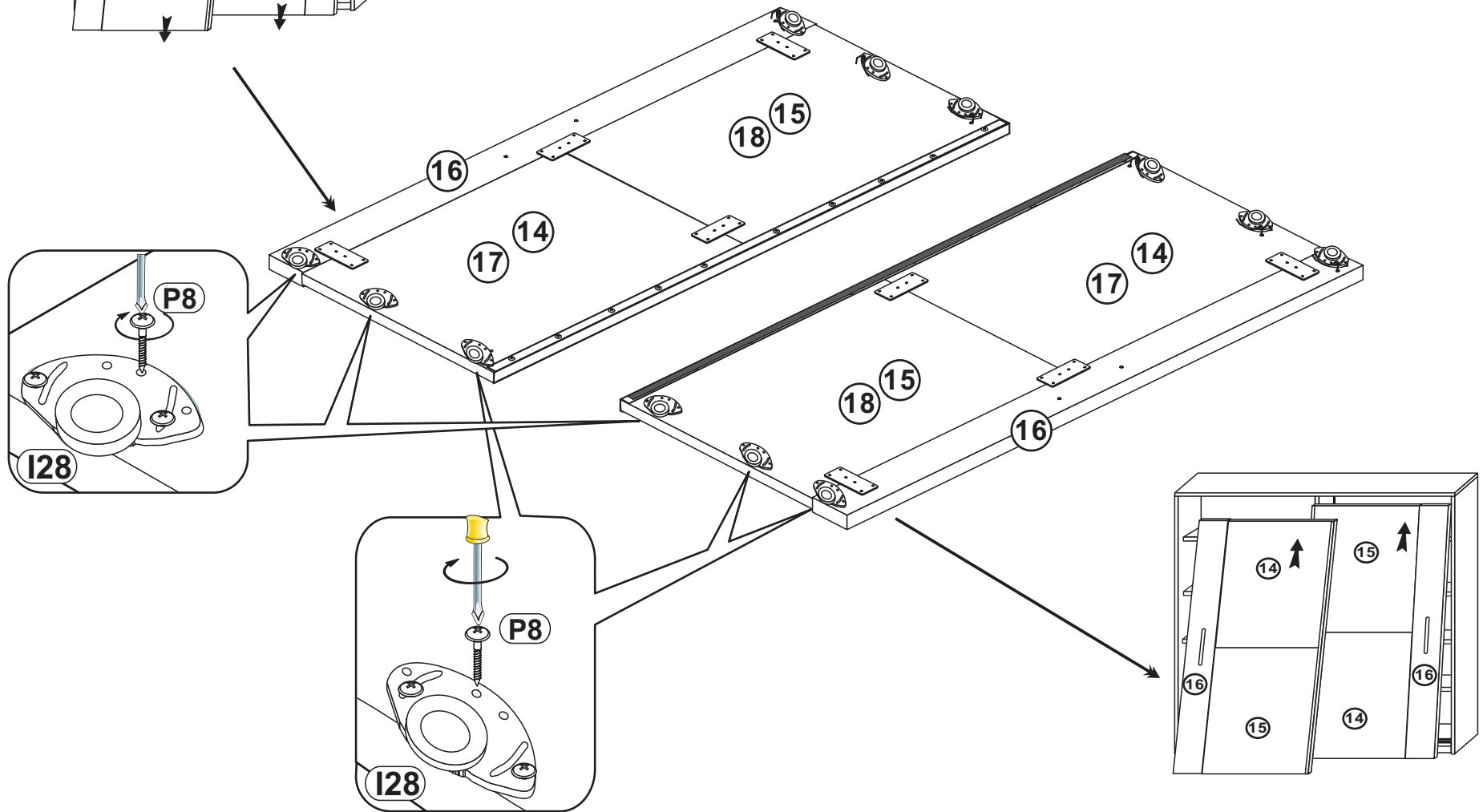
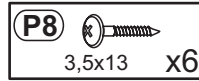
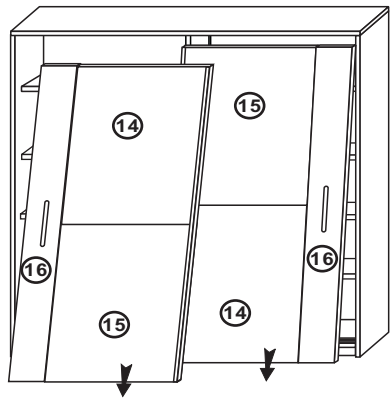
12



13



14



15

