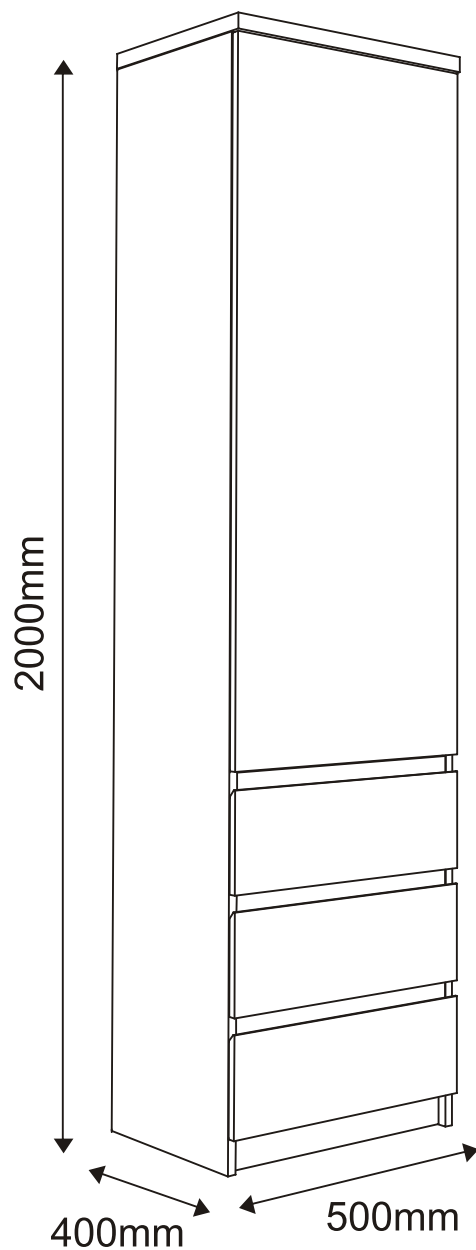
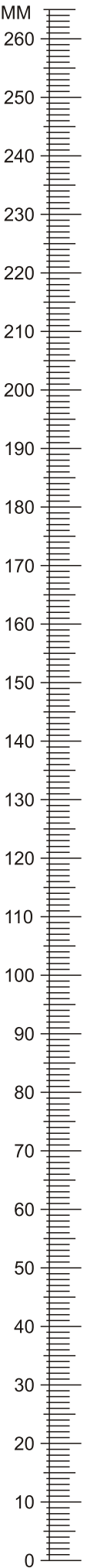



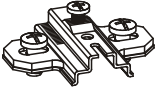



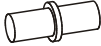
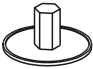




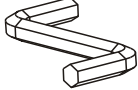

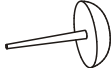


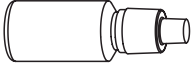


PELLO

TYP 10 - Vysoká skrinka 1D-3S

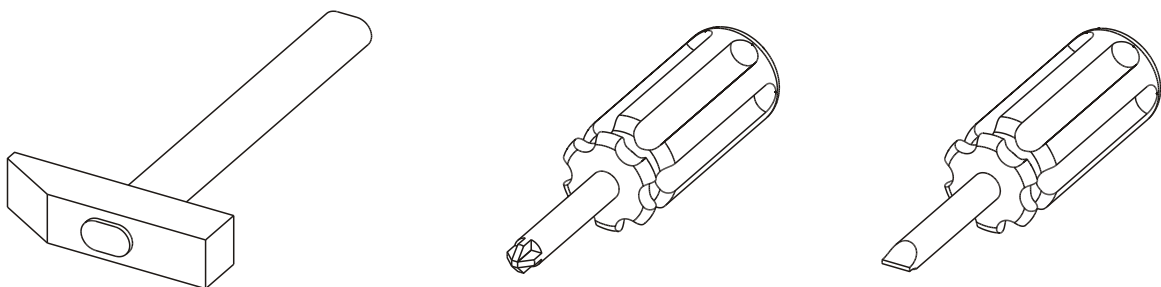




Kovanie:

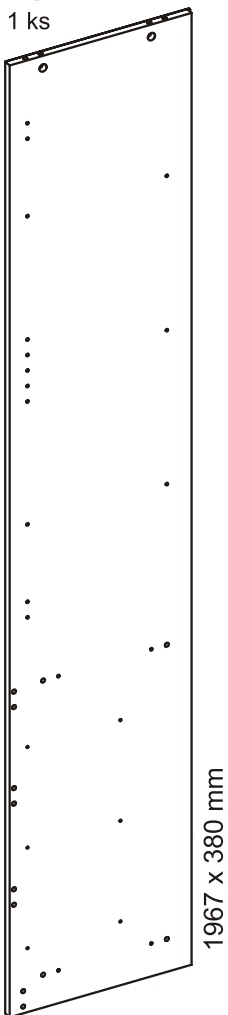
| | | |
|---|--|---|
| A1 40 ks ø8 x 35mm  | B0 3 ks  | B1 3 ks  |
| C1 6 ks  | C2 12 ks  | D2 12 ks  |
| E0 12 ks  | E1 12 ks ø15 x 12mm  | F1 12 ks ø6 x 34mm  |
| I2 1 ks  | K1 6 ks  | M 1 ks  |
| N1 60 ks  | O2 4 ks  | P0 10 ks  |
| R4 6 ks  | S 1 ks  | T0 6 ks  |
| Q9 1 ks  | | |

Potrebné náradie:

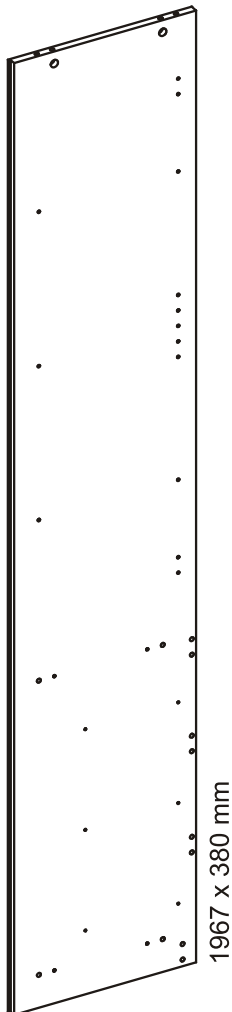


1 Lavý bok

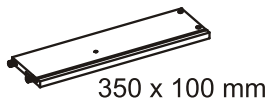
1 ks



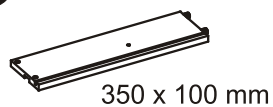
2 Pravý bok 1 ks



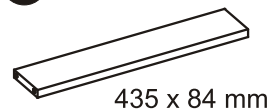
9 3 ks



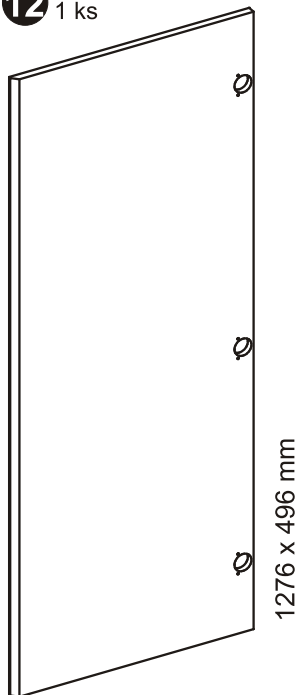
10 3 ks



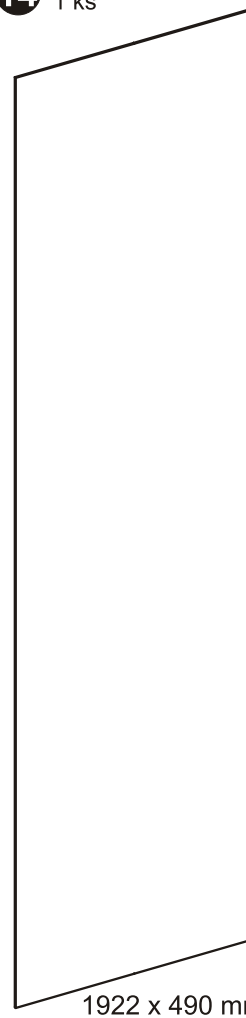
11 3 ks



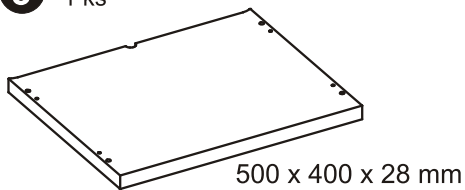
12 1 ks



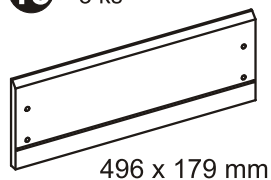
14 1 ks



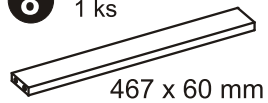
3 1 ks



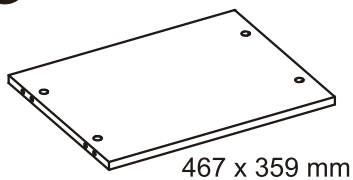
13 3 ks



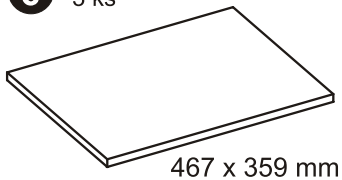
8 1 ks



4 1 ks



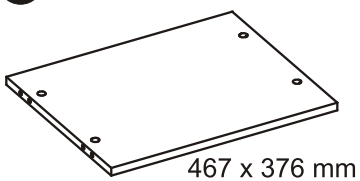
6 3 ks



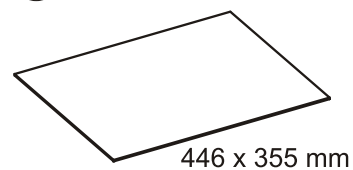
7 3 ks



5 1 ks



15 3 ks

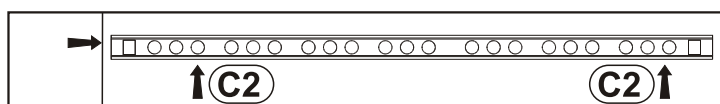
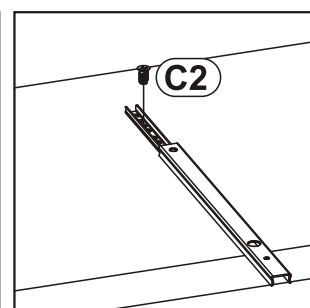
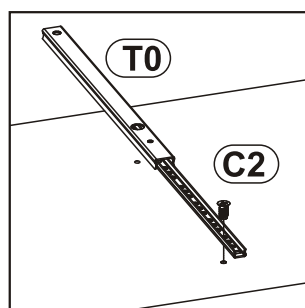
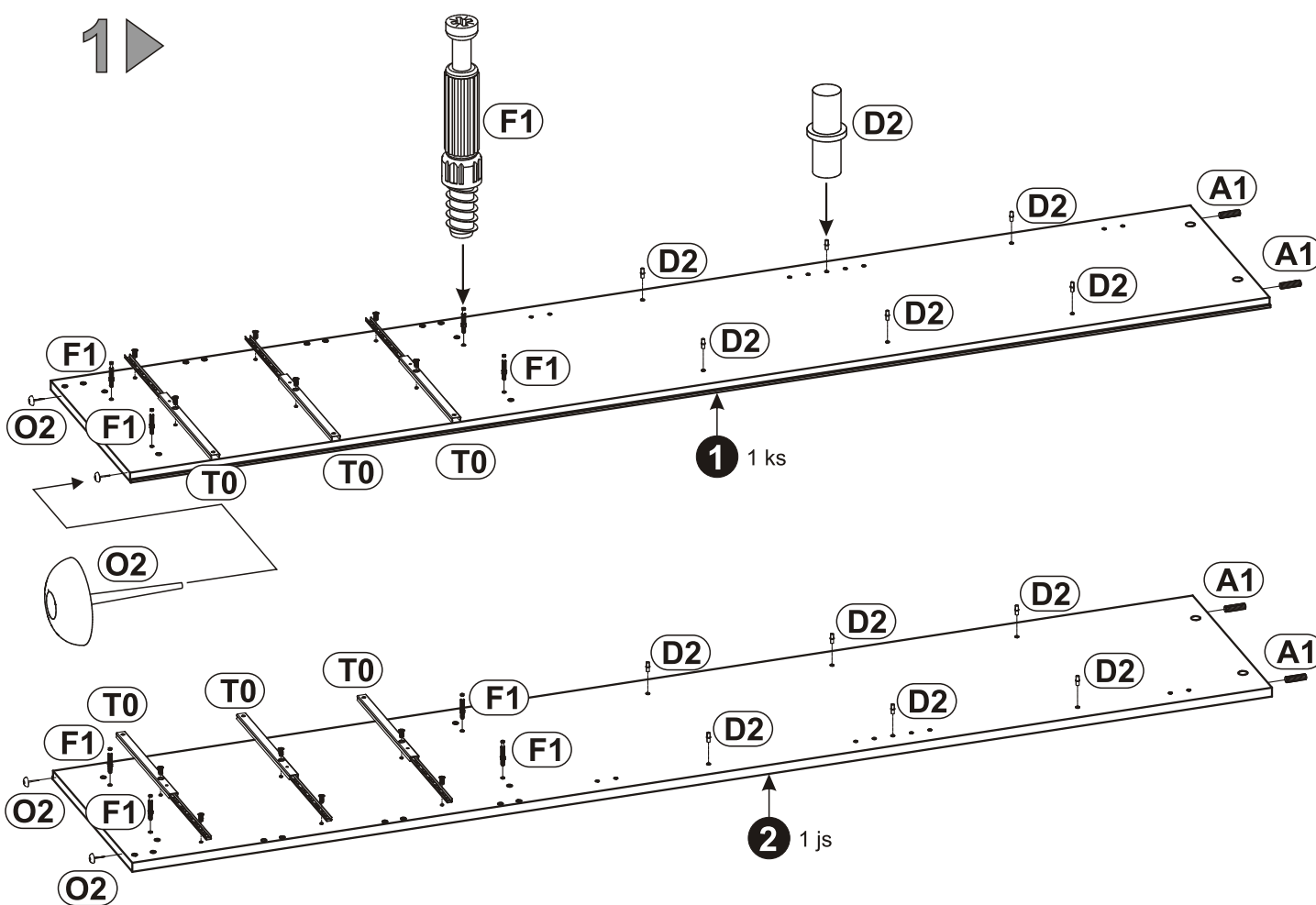
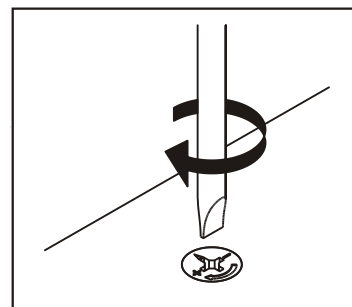
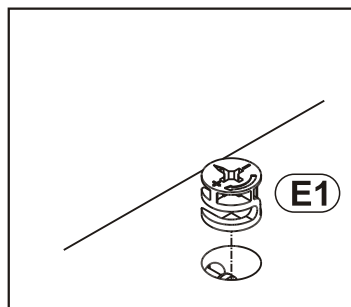
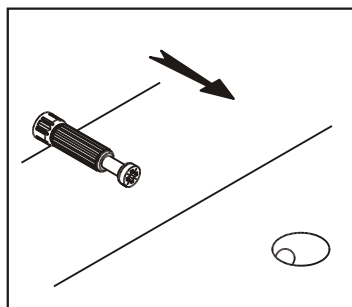
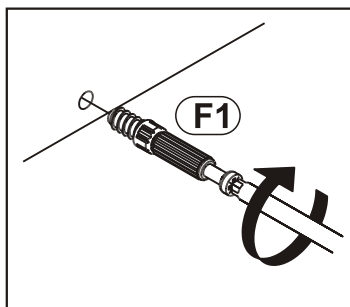


Krok 1:

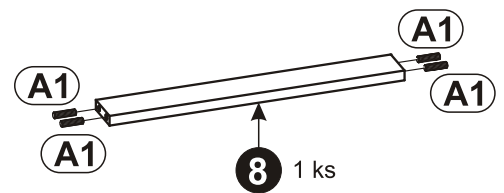
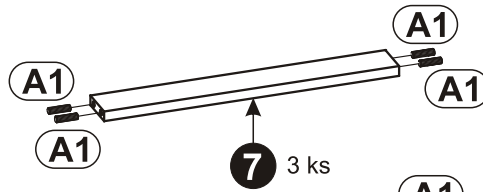
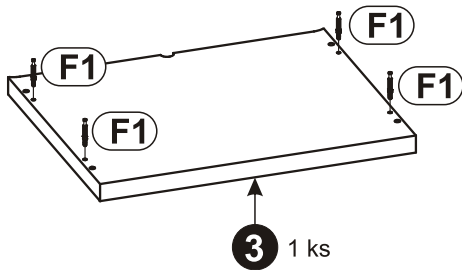
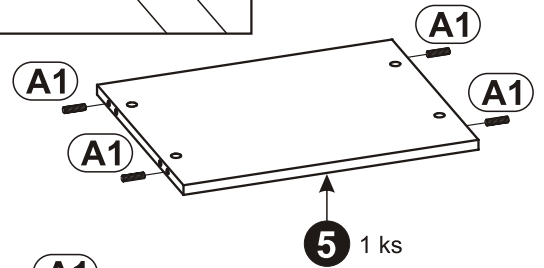
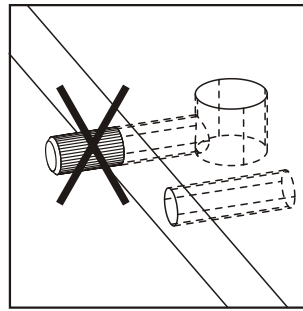
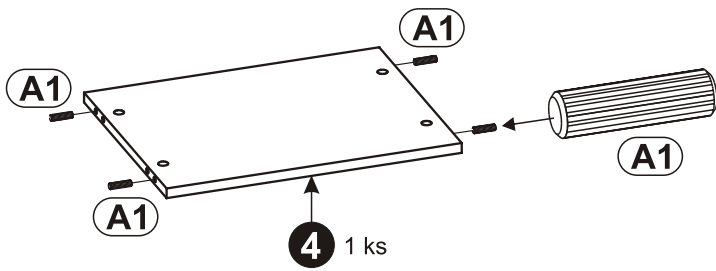
Krok 2:

Krok 3:

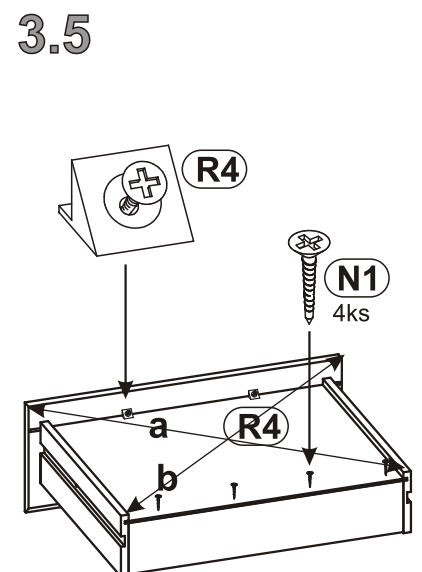
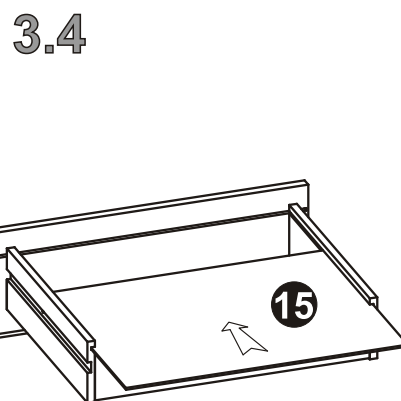
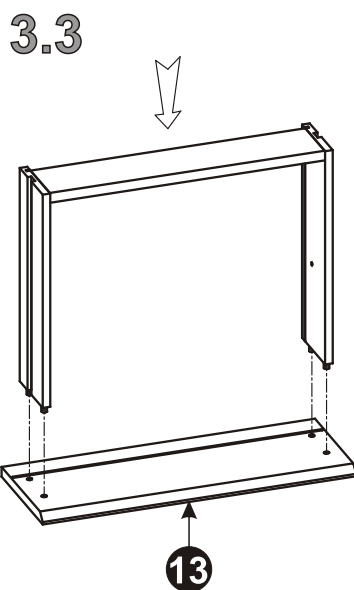
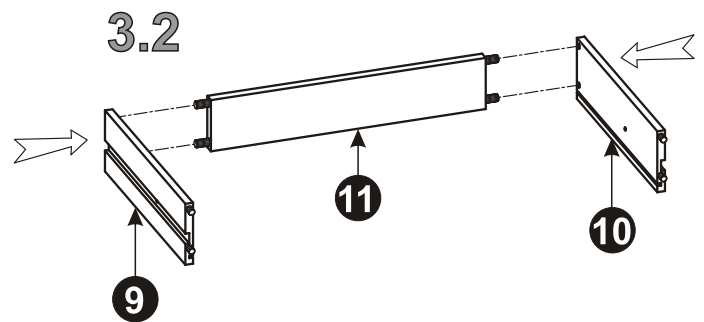
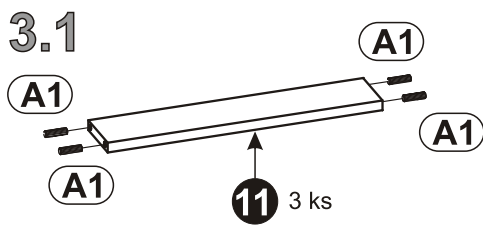
Krok 4:



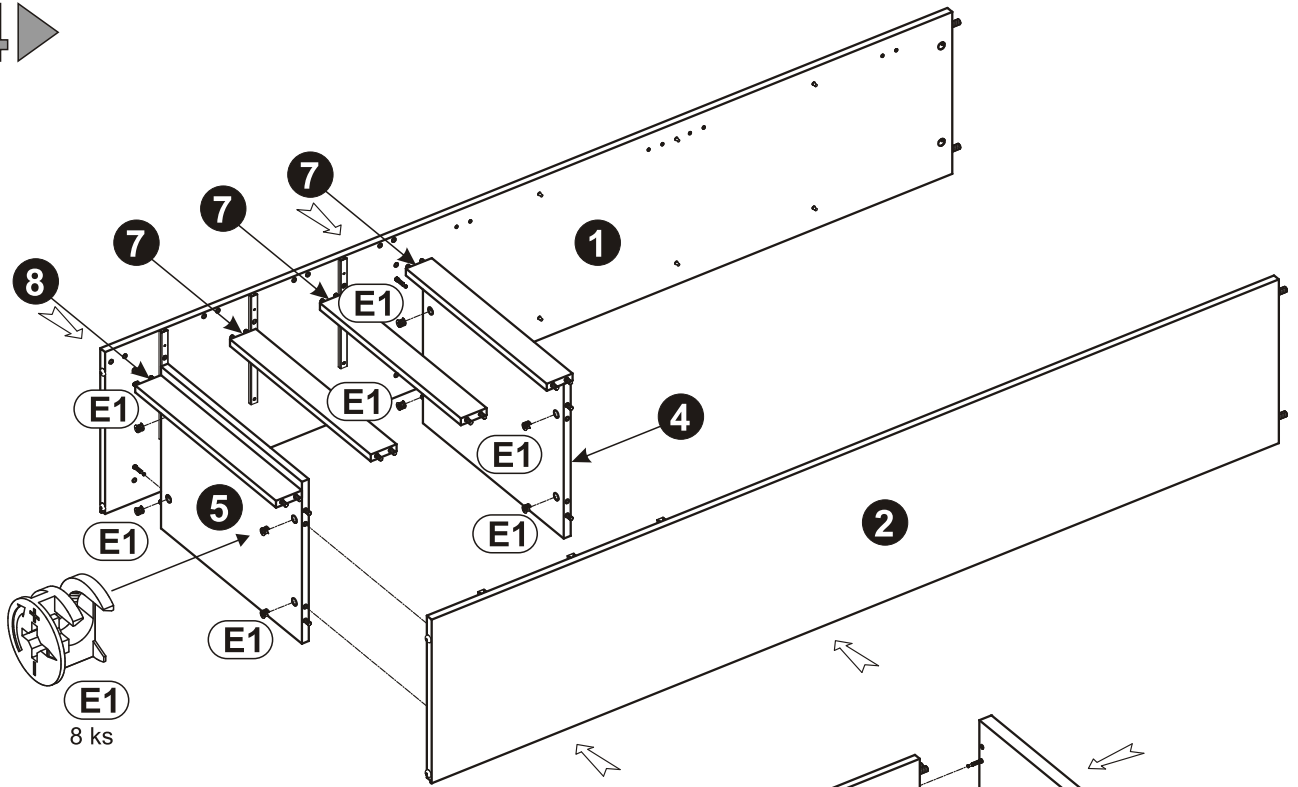
2 ▶



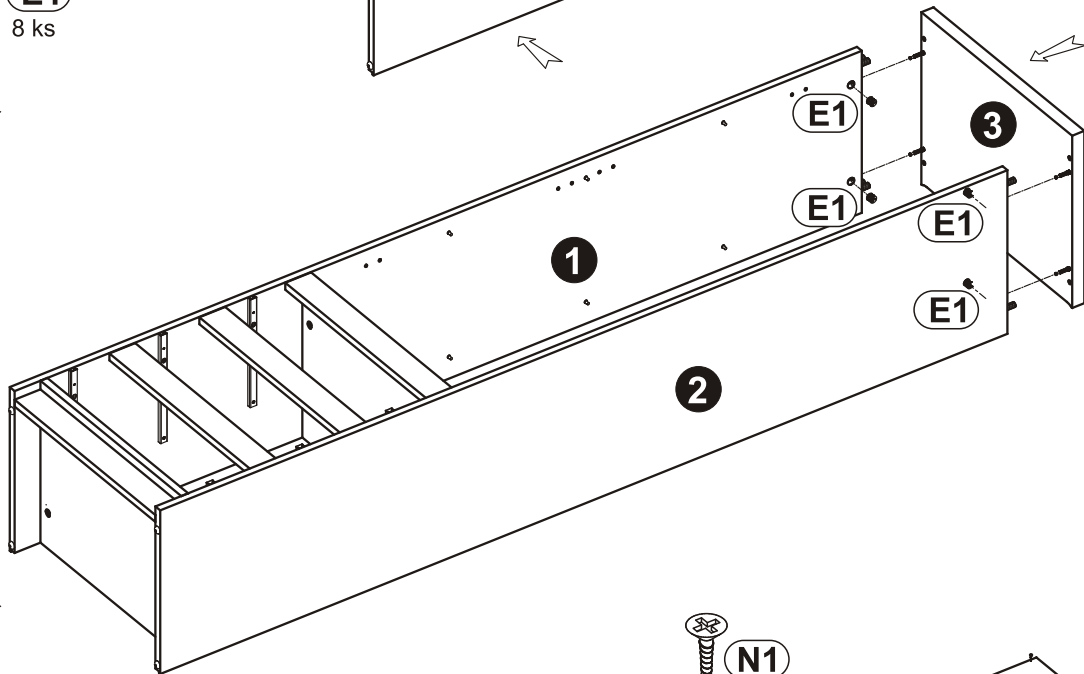
3 ▶



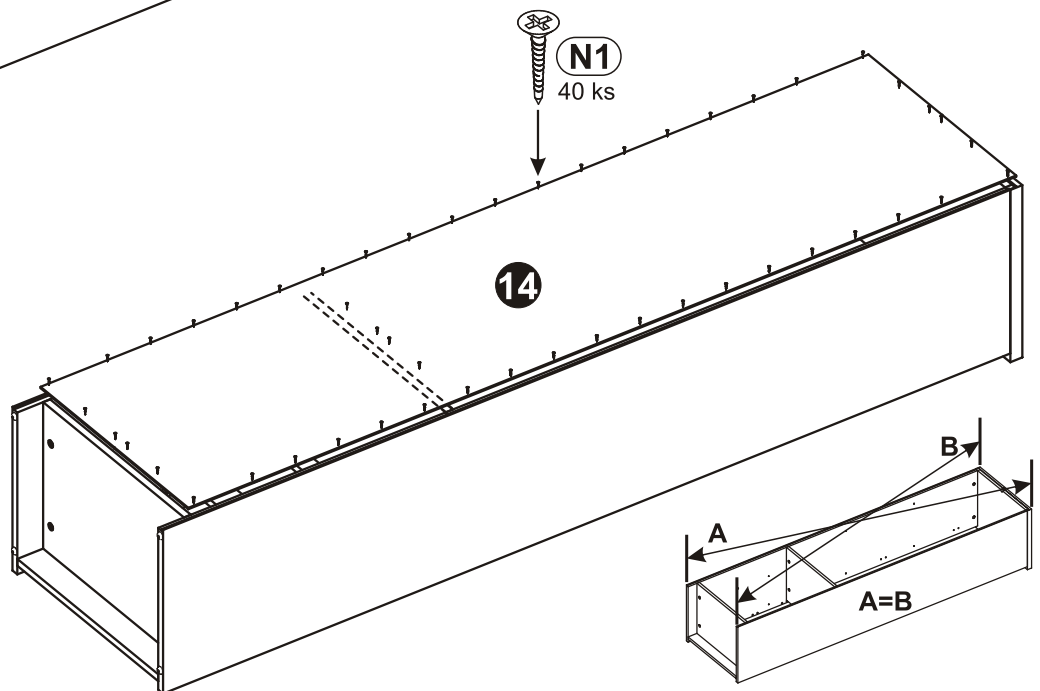
4 ▶

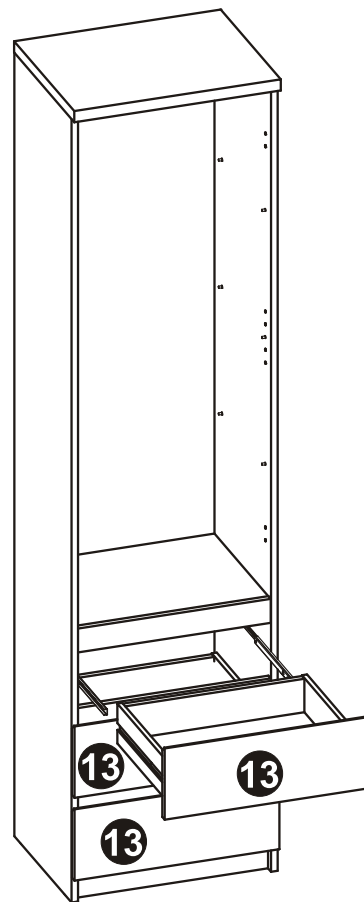
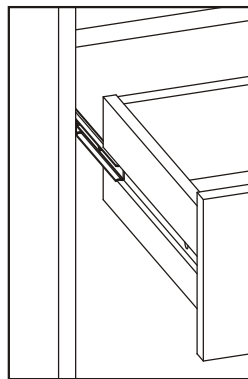
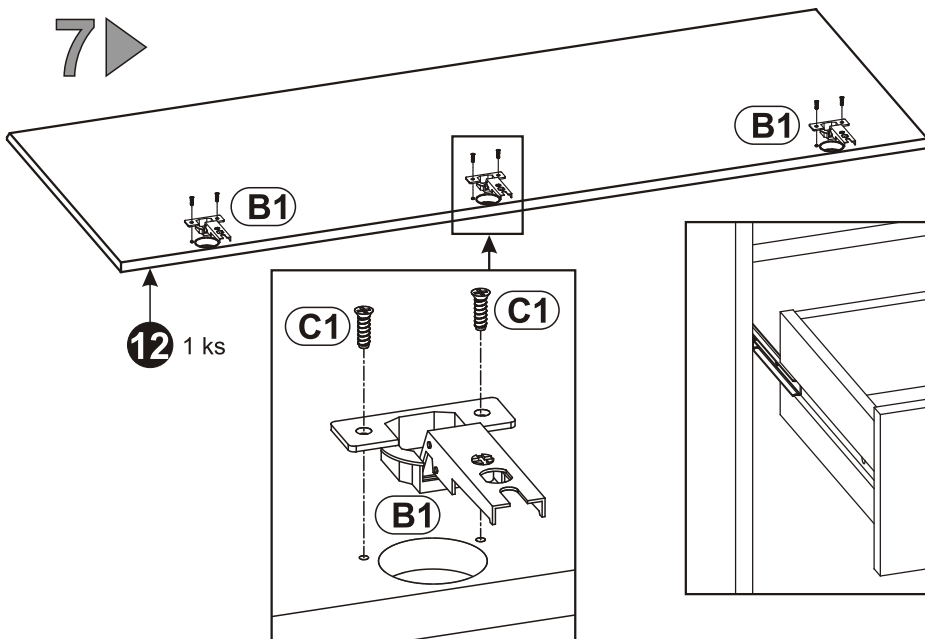


5 ▶

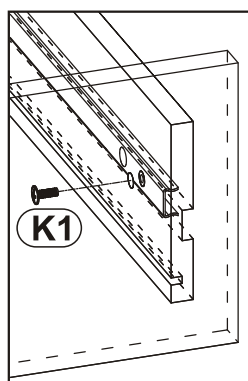


6 ▶

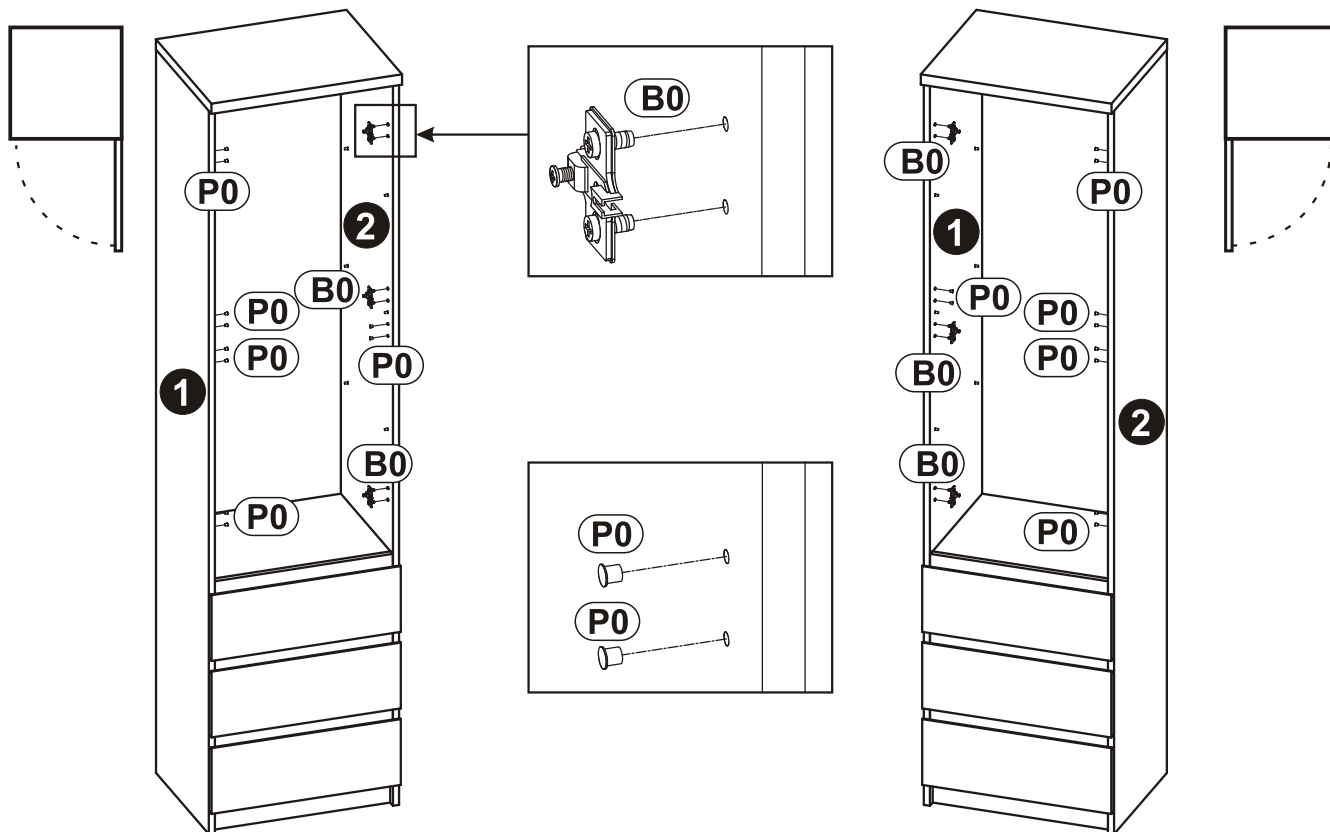




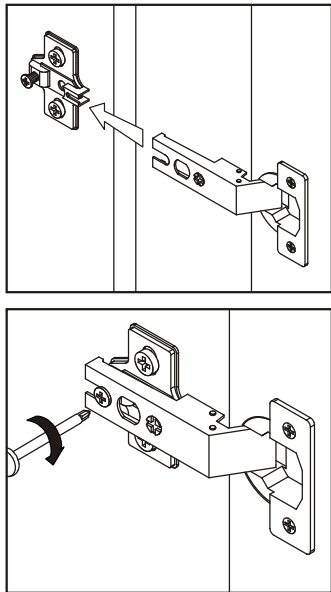
8 ▶



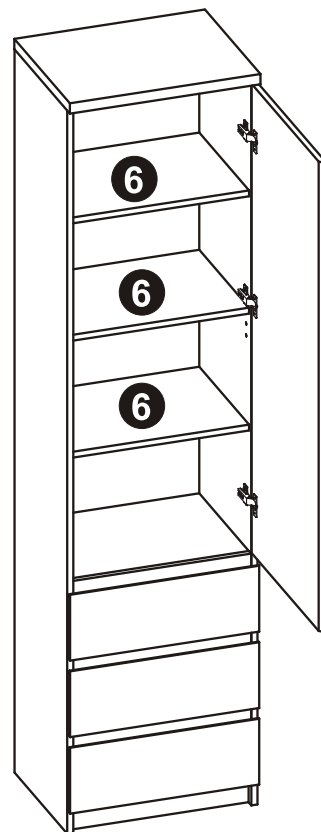
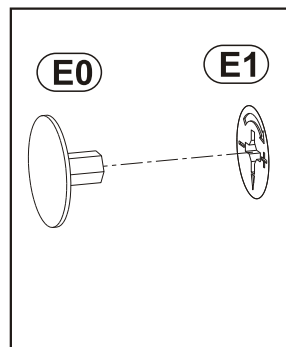
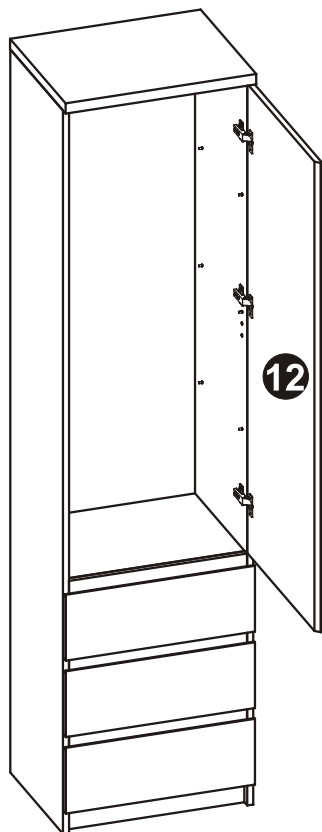
9 ▶



10 ▶



11 ▶



12 ▶

