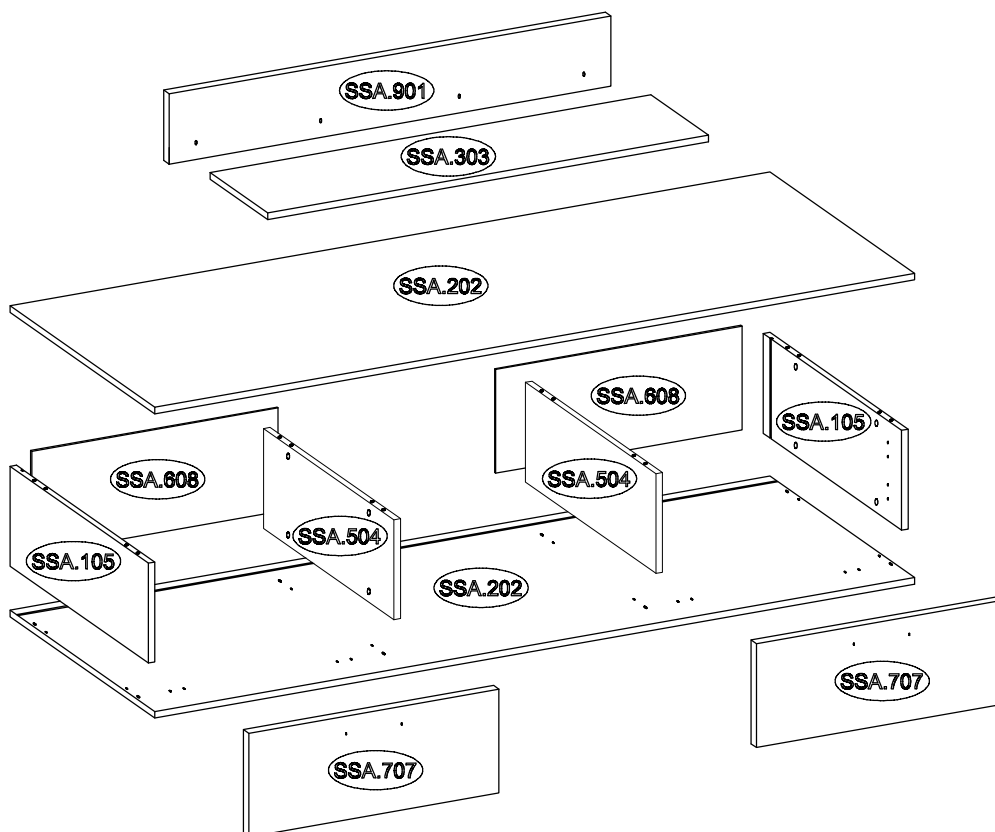
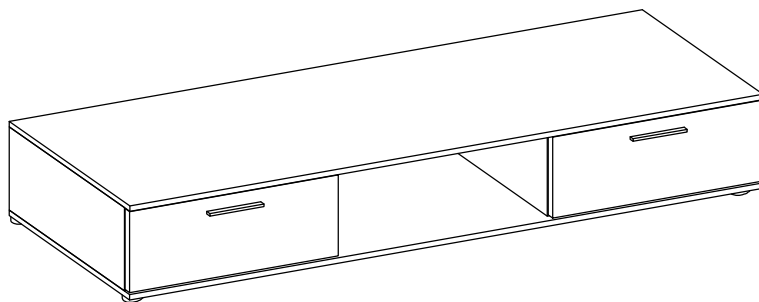
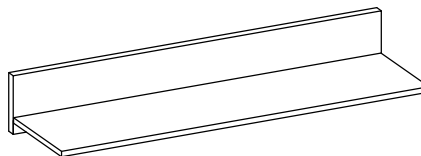


SALSA

Typ 318





1B	L=128mm	+4.0x30mm
	2	4

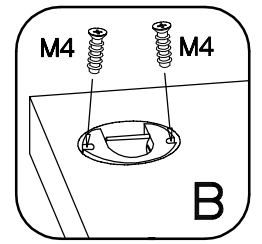
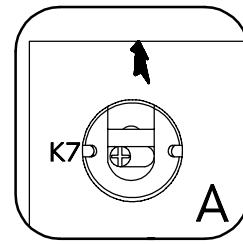
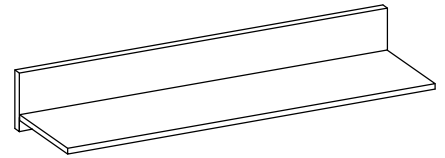
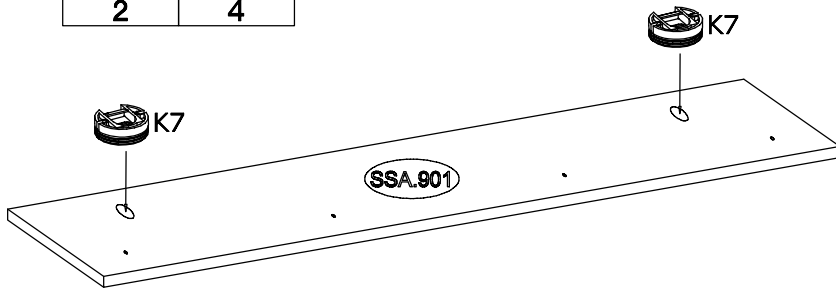
2B	H=0	+35/16mm	+3.5x13mm
	4	4	8

3B		+6.3x9mm		6,4 x 50mm	5/45mm	+10x50mm	+15/12mm	+8x30mm	L=20mm	+4.0x25mm
	2	4	1	4	2	2	16	16	16	6



F10	+3.5x13mm						
	6	6	2	4	16	10	4

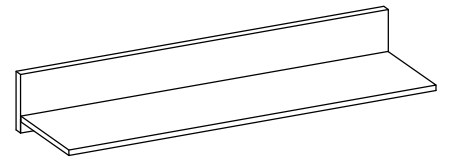
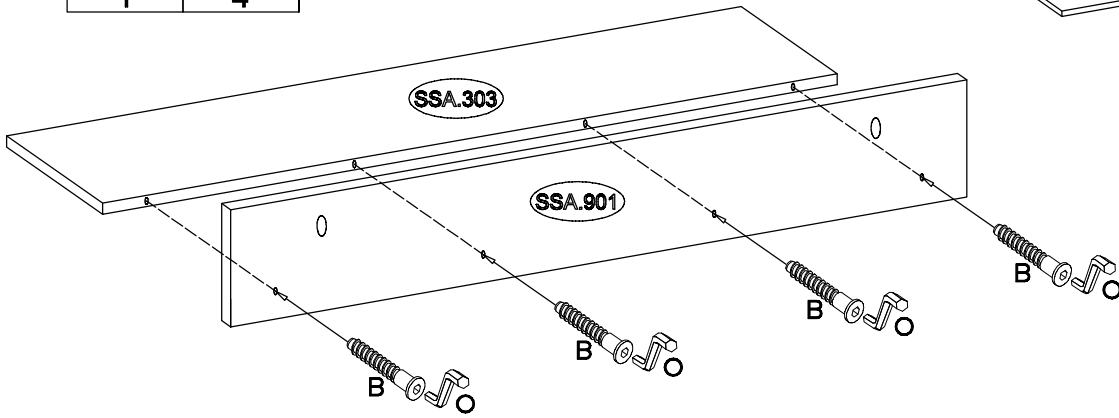
1

	16,3x9mm 
K7 2	M4 4

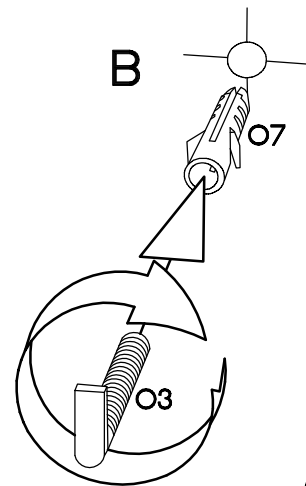
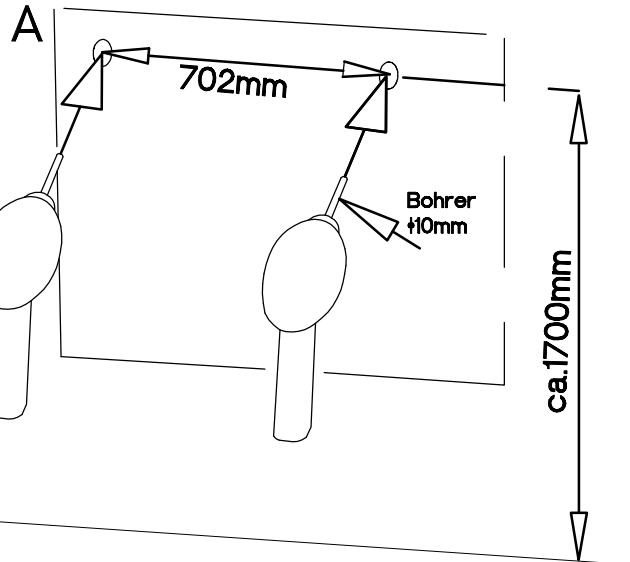




2

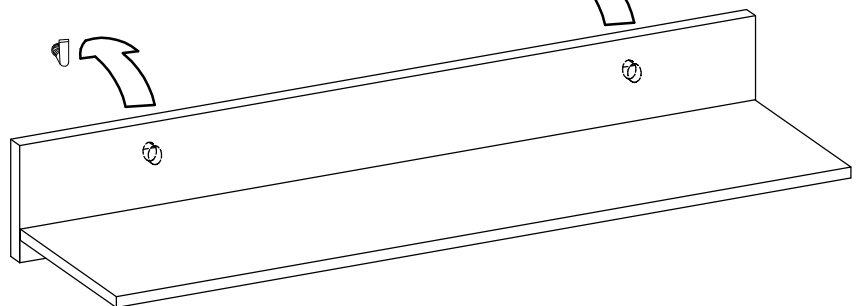
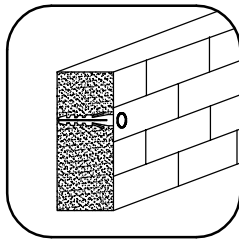
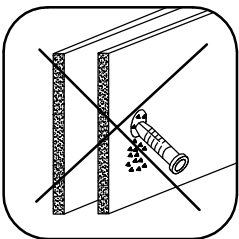
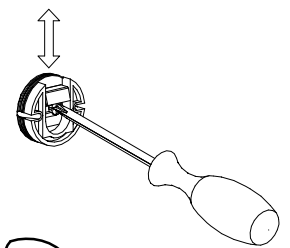
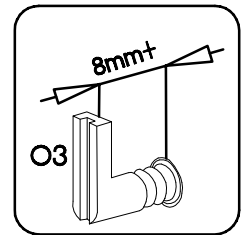
	6,4 x 50mm 
B 1	B 4






3





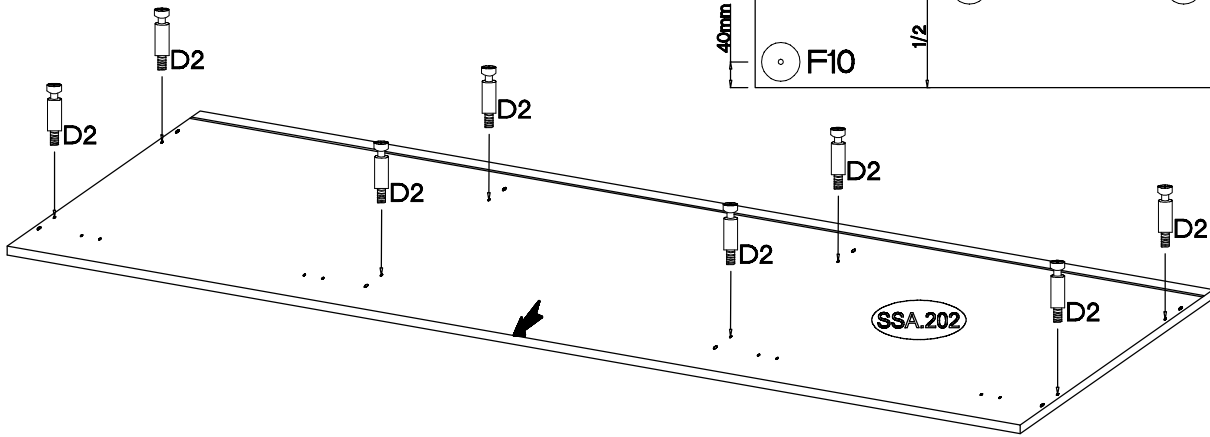
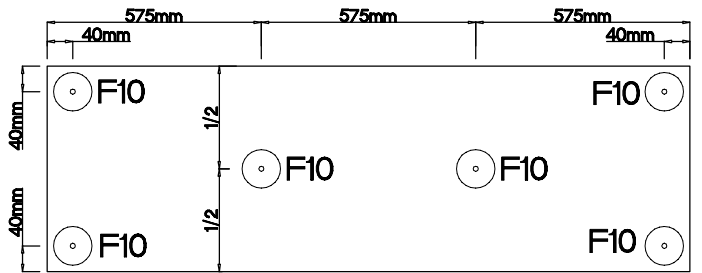
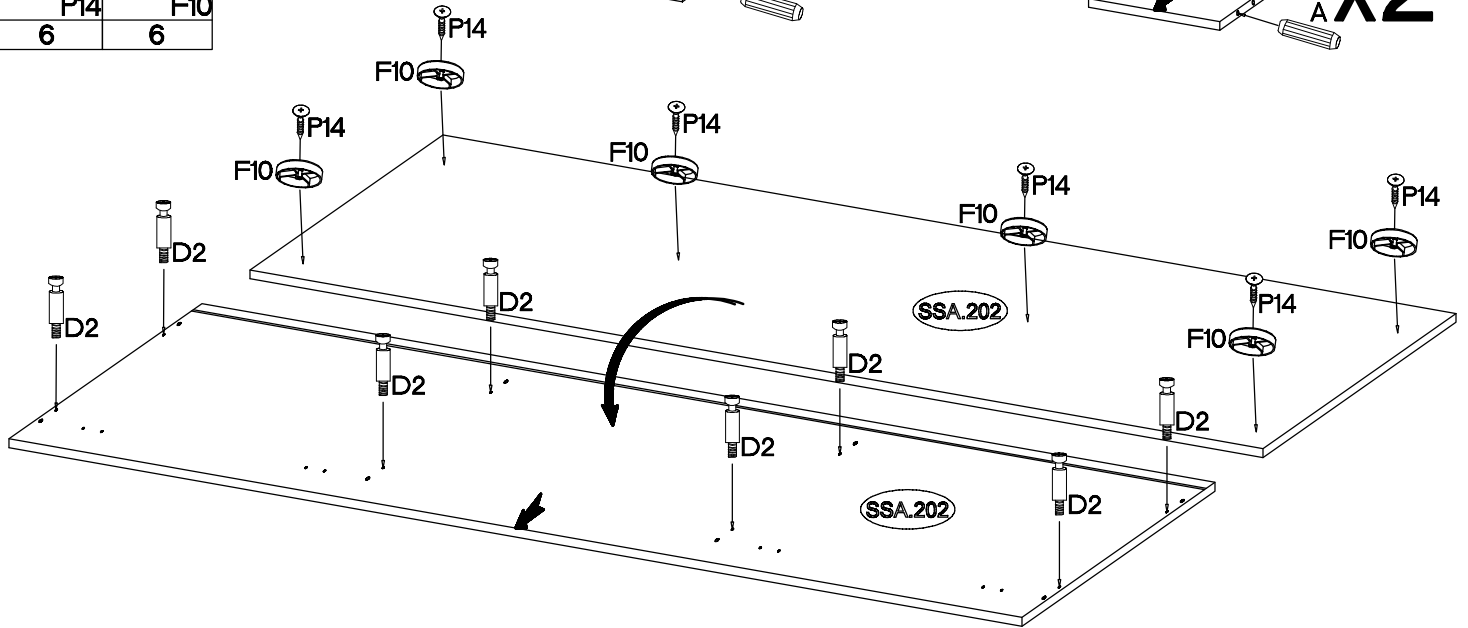
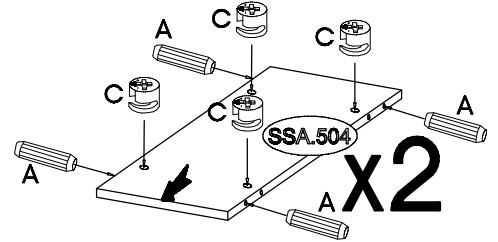
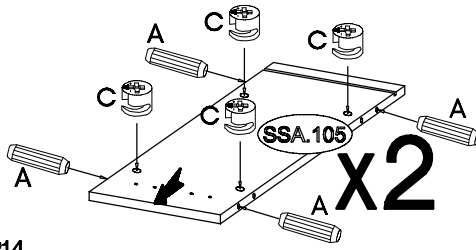
	5/45mm 
O3 2	O7 2



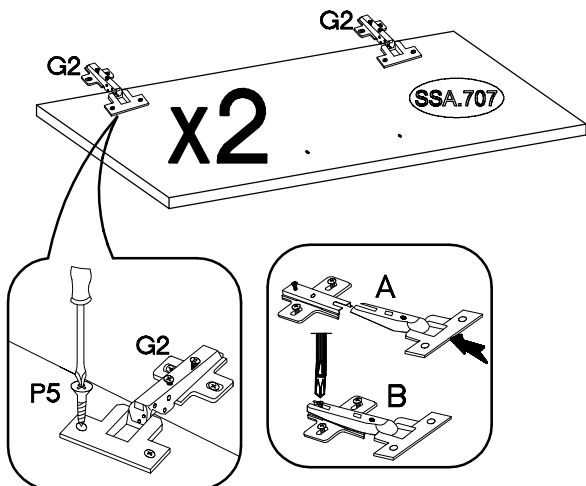
4





 $\varnothing 5/12\text{mm}$	 $\varnothing 8 \times 30\text{mm}$	 L=20mm
C	A	D2
16	16	16

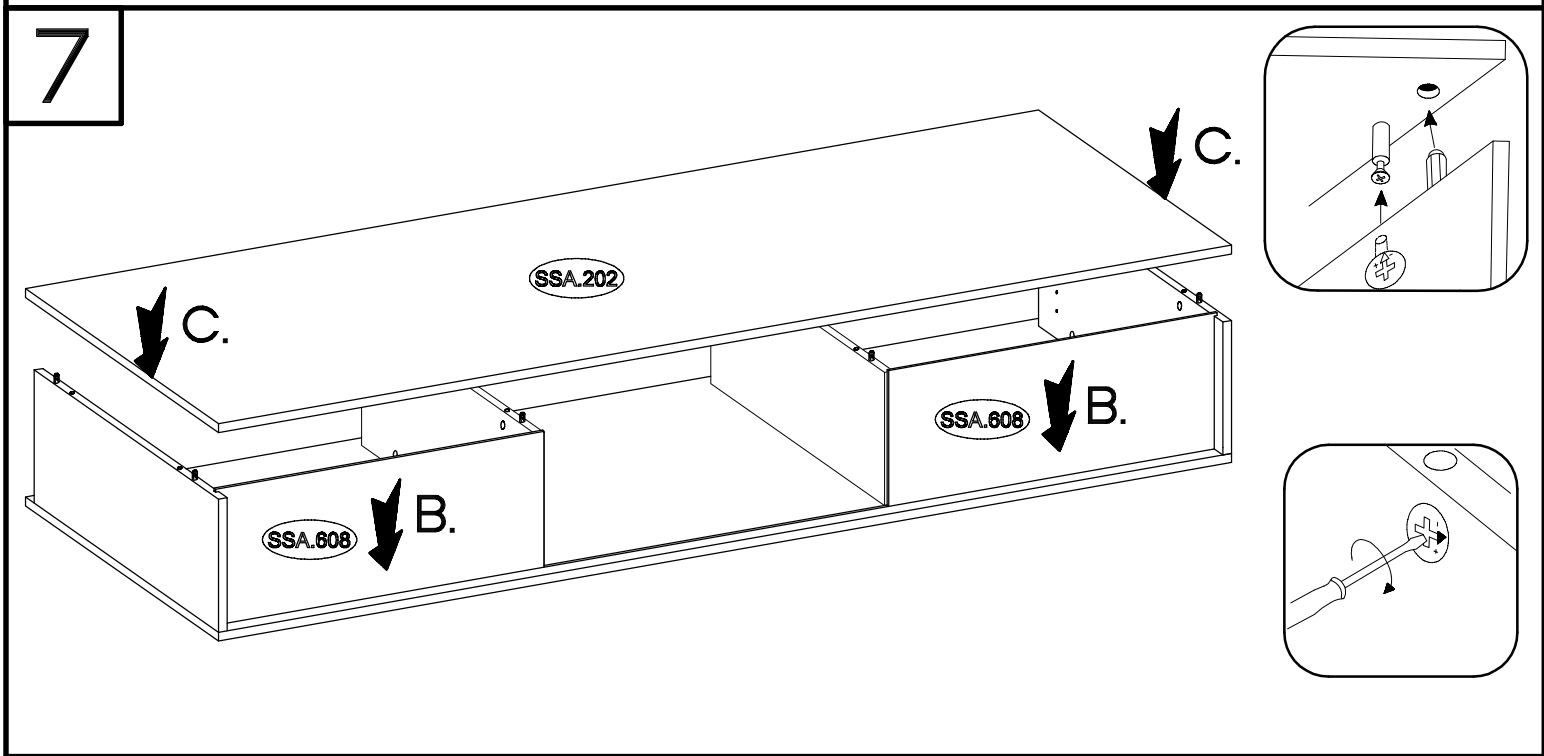
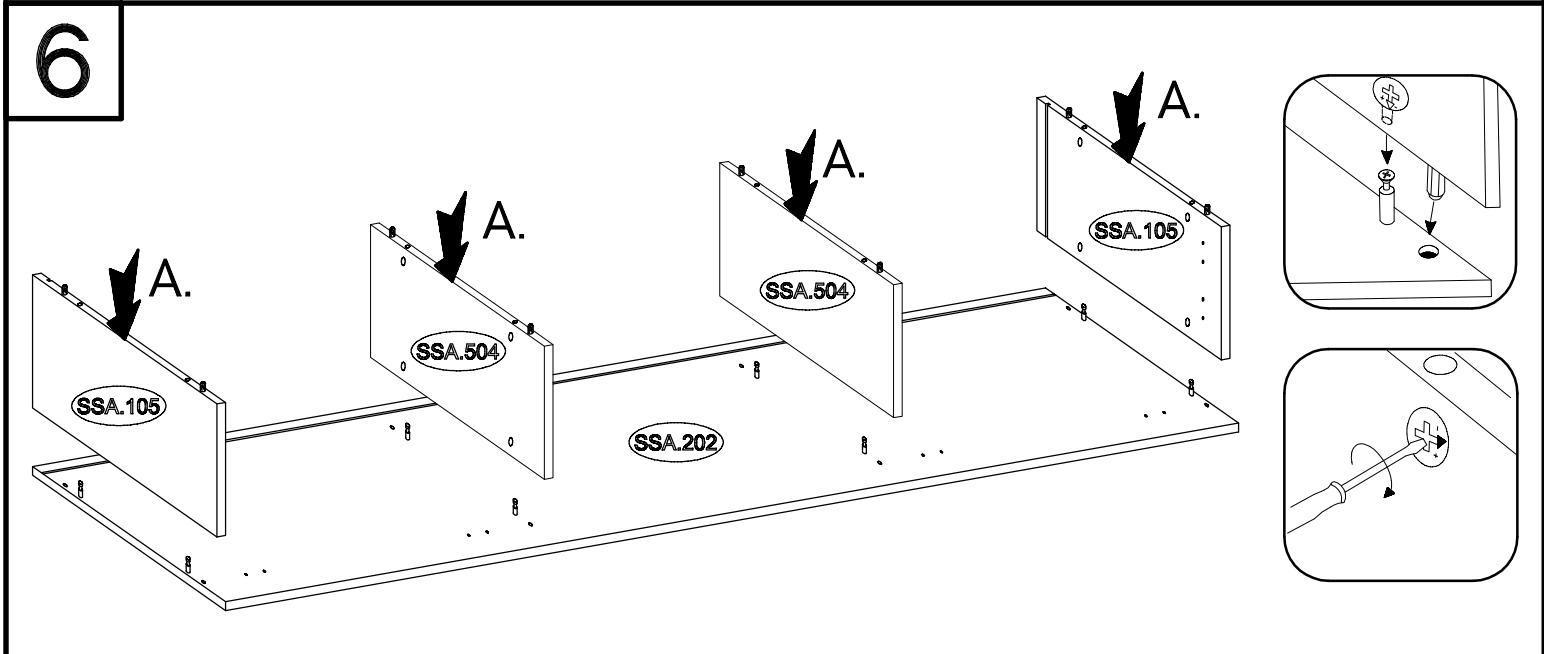
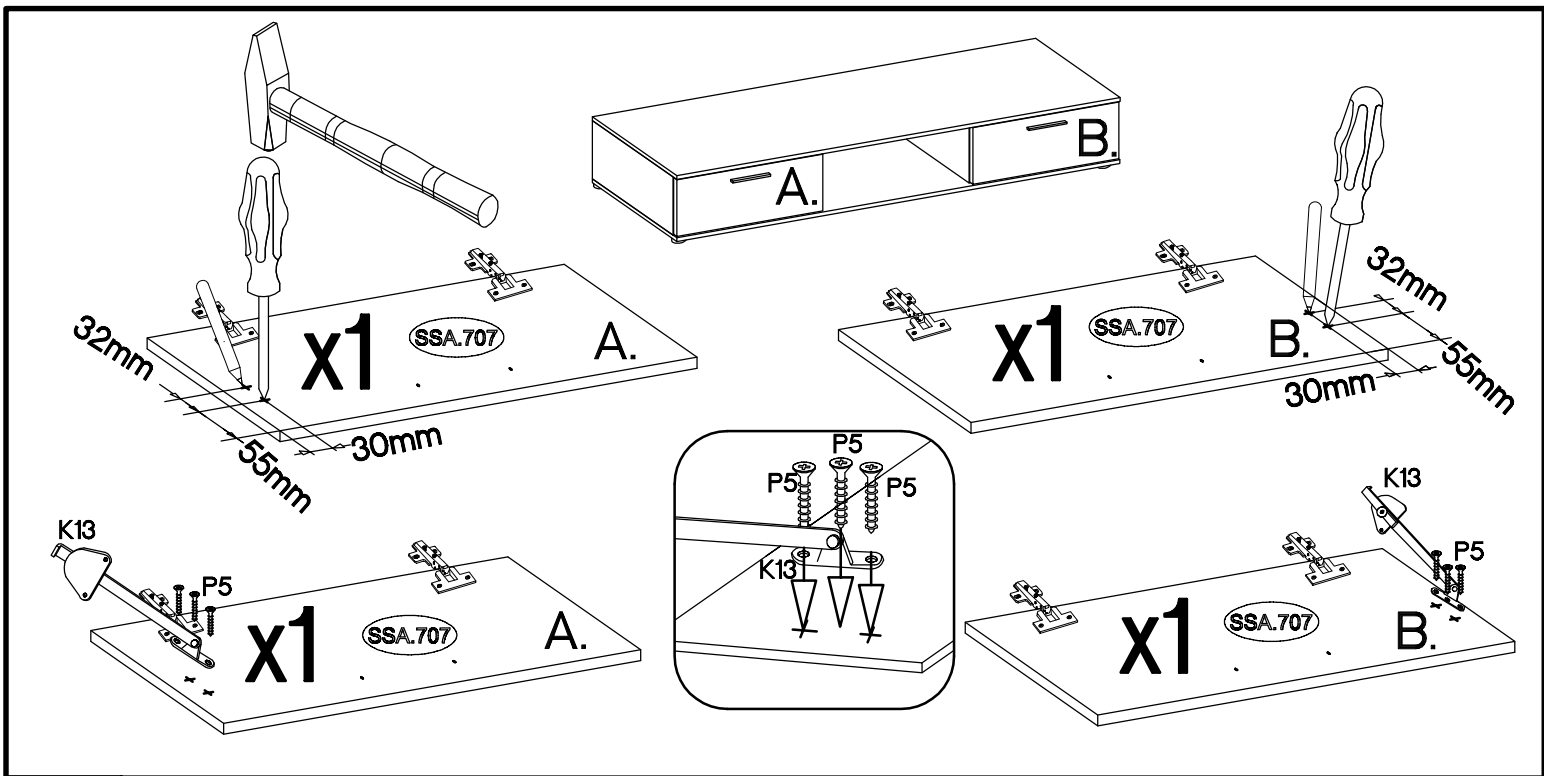
 $\varnothing 4.0 \times 25\text{mm}$	
P14	F10
6	6



5



 H-0	 $\varnothing 3.5/16\text{mm}$	 $\varnothing 3.5 \times 13\text{mm}$	
H	G2	P5	K13
4	4	14	2



8

±3.0x16mm



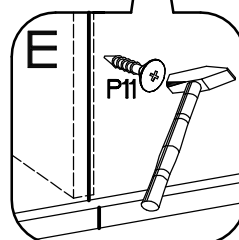
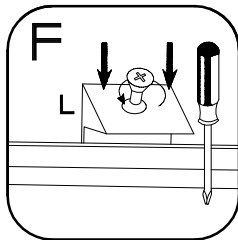
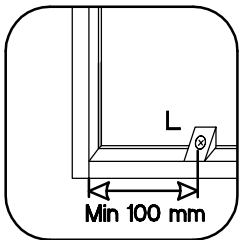
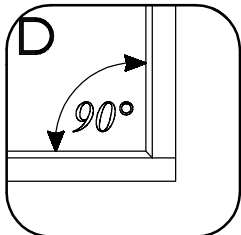
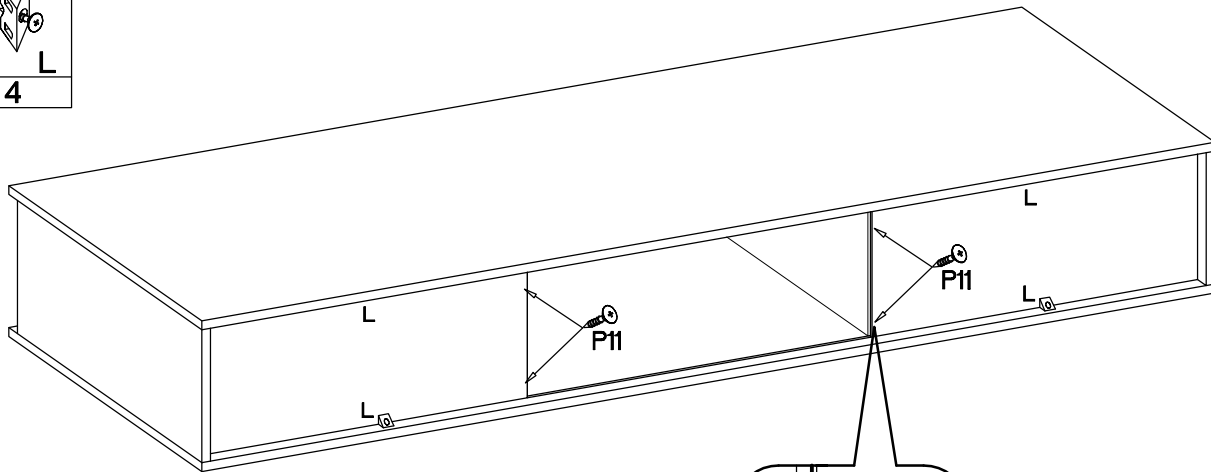
P11

4



L

4



9

±3.0x16mm



E

16

±3.0x16mm



P11

6

±4.0x30mm L=128mm



R2

4



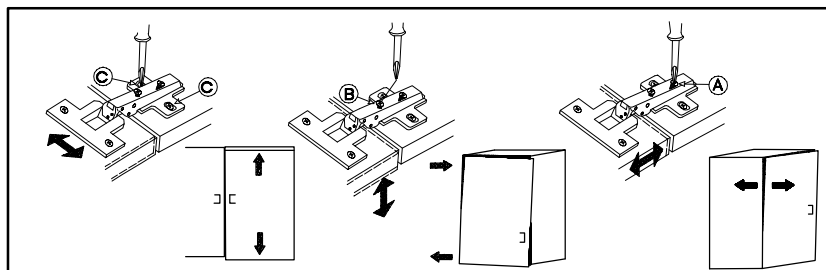
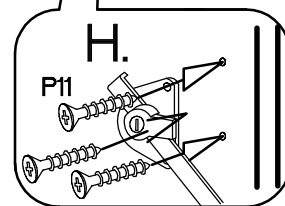
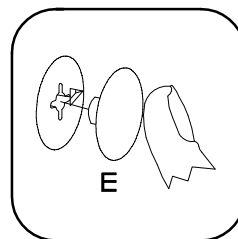
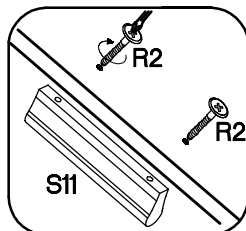
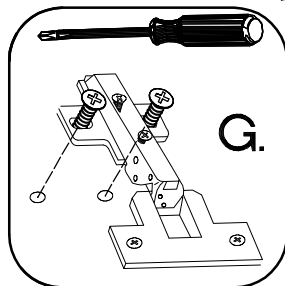
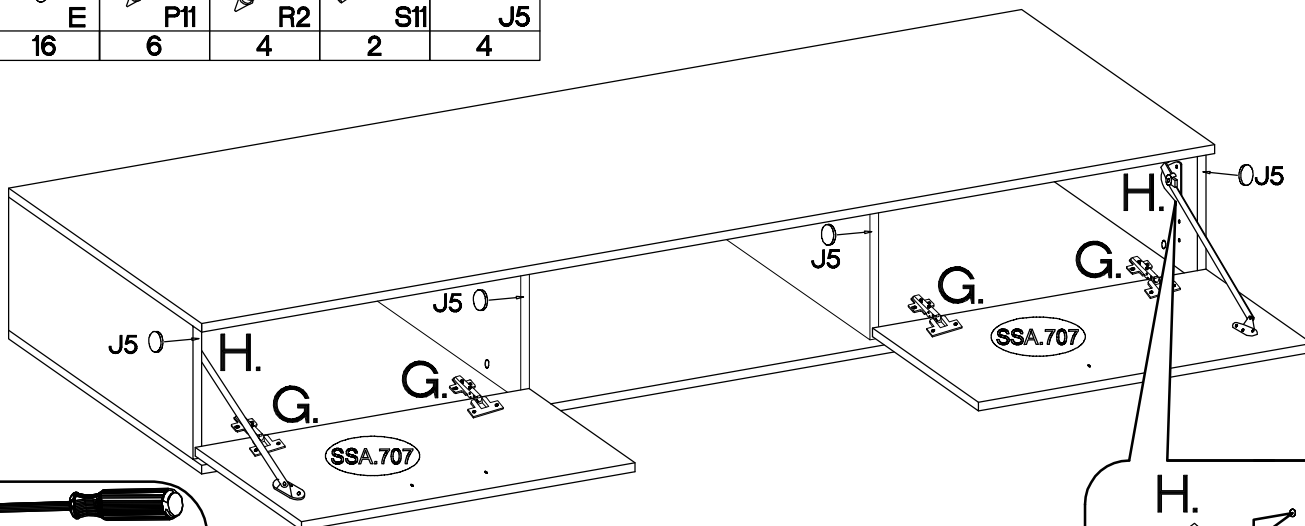
S11

2

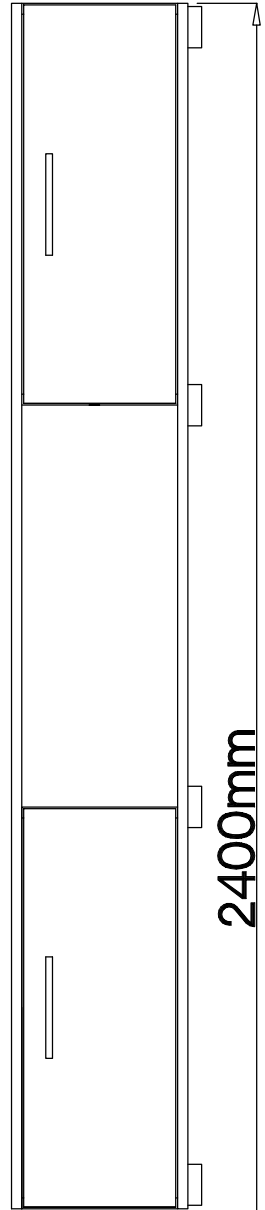
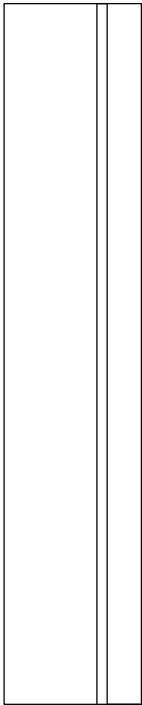
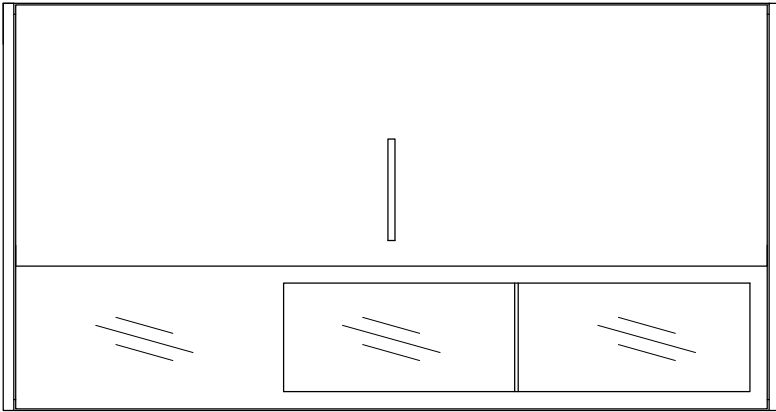


J5

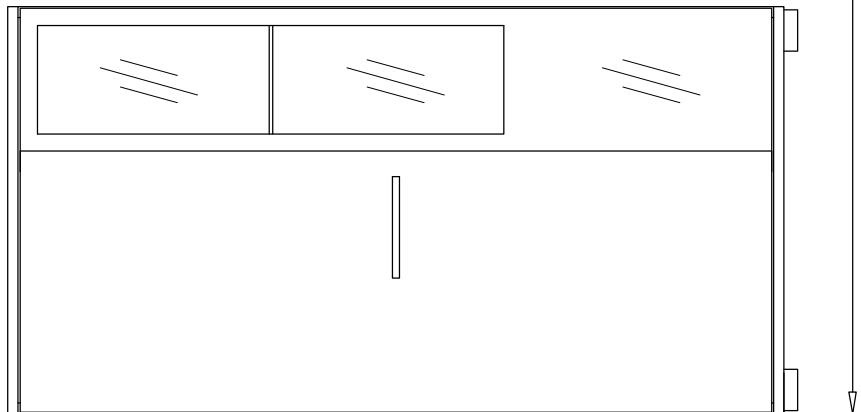
4



1800mm

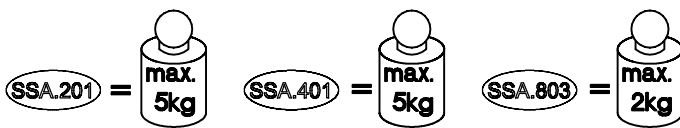
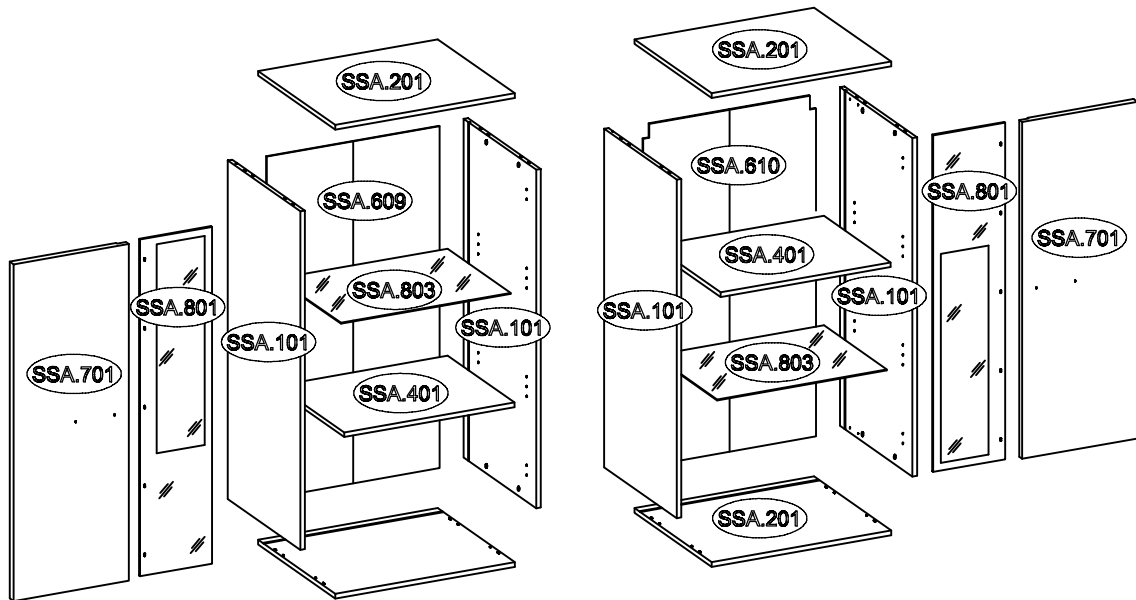
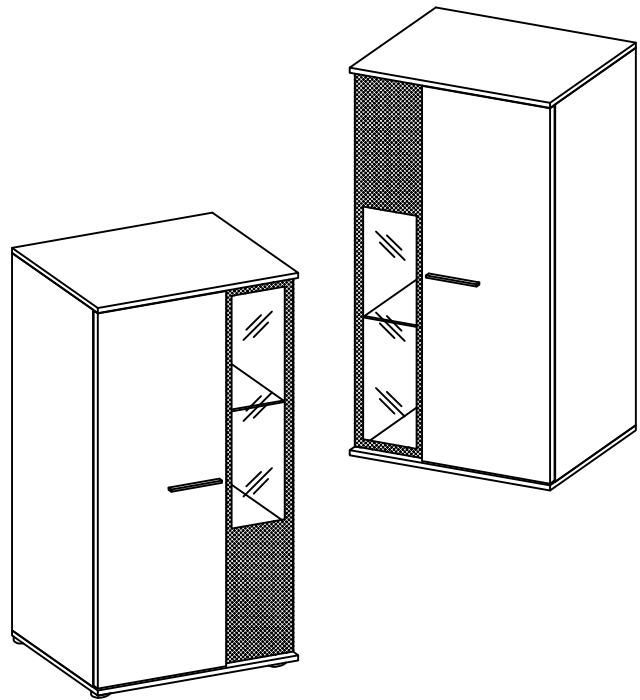


2400mm



SALSA

Typ 031



L-128mm	±4.0x30mm
S11	R2
2	4



H=0	±35/0mm	±3.5x13mm
H	G	P5
6	6	12

J5
4



±5/12mm	±8x30mm	L-20mm	±4.0x25mm				±4.0x12mm	0,05		
				F10	J7	J15			L	
C	A	D2	P14	F10	J7	J15	R5	O11	L	
24	16	24	4	4	10	10	10	1	12	
±3.0x20mm			±5/16mm		±4.0x30mm	±3.5x13mm		±10x50mm	±5.0x60mm	
	L2	E	J12	K	P8	P5	L9	O7	P12	K16
P7	L2	E	J12	K	P8	P5	L9	O7	P12	K16
8	8	24	8	2	4	1	1	5	4	2

1

x2

x2

FARBE

1h

H-0 H 6	±35/0mm G 6	±3.5x13mm P5 6
J7 10	J15 10	±4.0x12mm R5 10
		O1 1

Diagram details: SSA.701, SSA.801, J15, G, O1, P5, A, B, R5, J7, FARBE, 1h, R.

2

SSA.201

SSA.201

SSA.401

D2

F10

P14

C

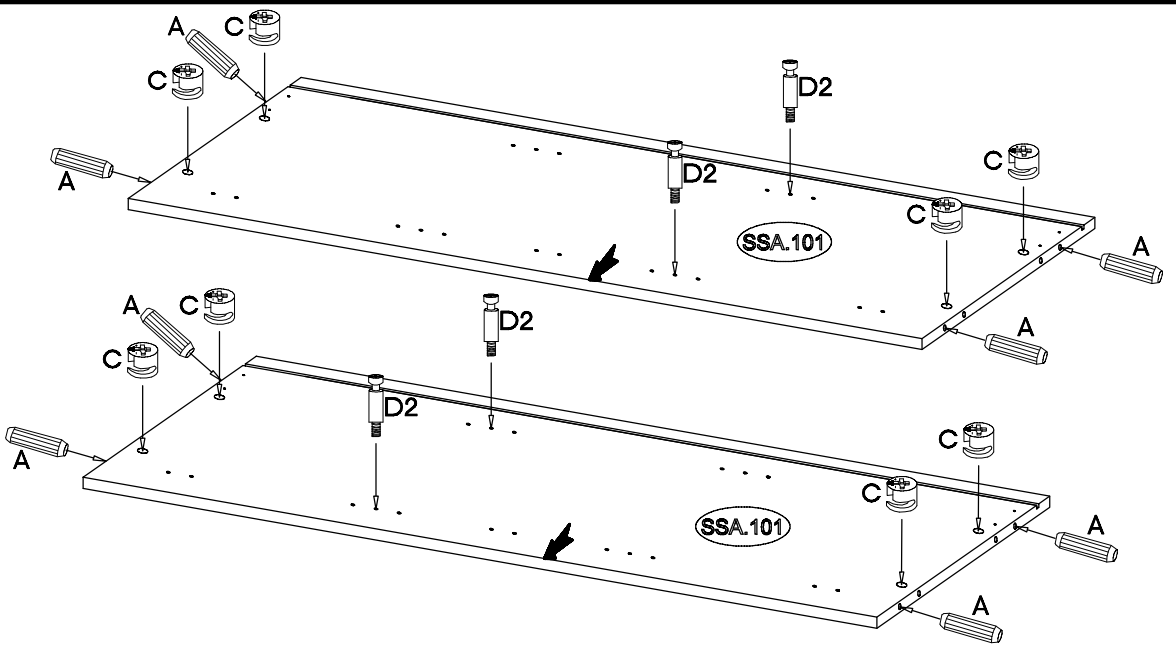
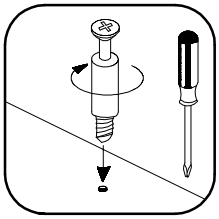
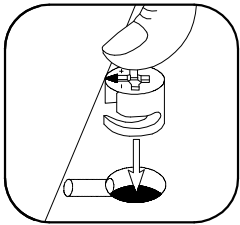
A

40mm

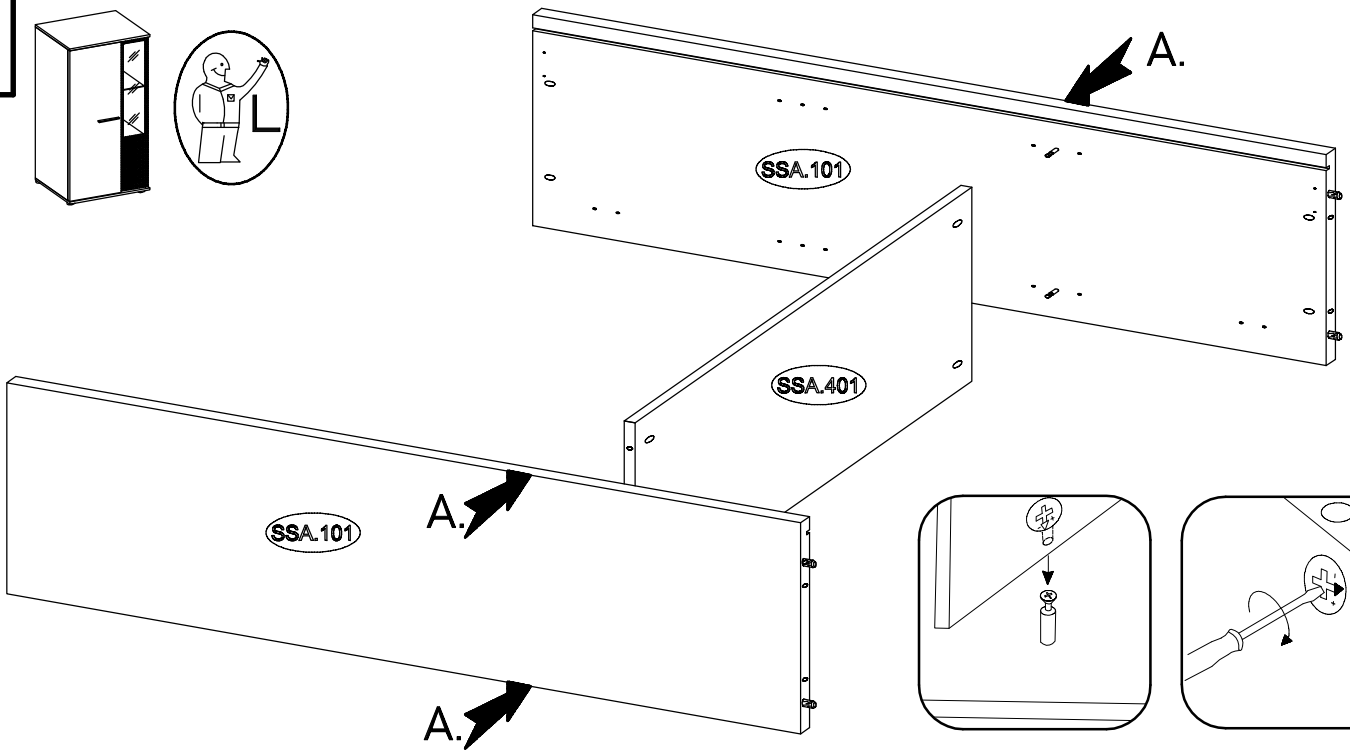
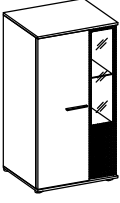
40mm

±15/12mm C 12	±8x30mm A 8	L=20mm D2 12	±4.0x25mm P14 4	F10 4
---------------------	-------------------	--------------------	-----------------------	----------

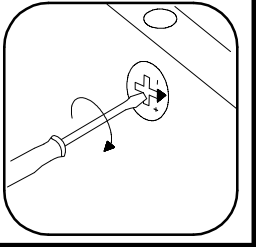
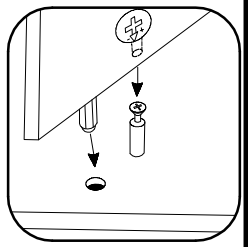
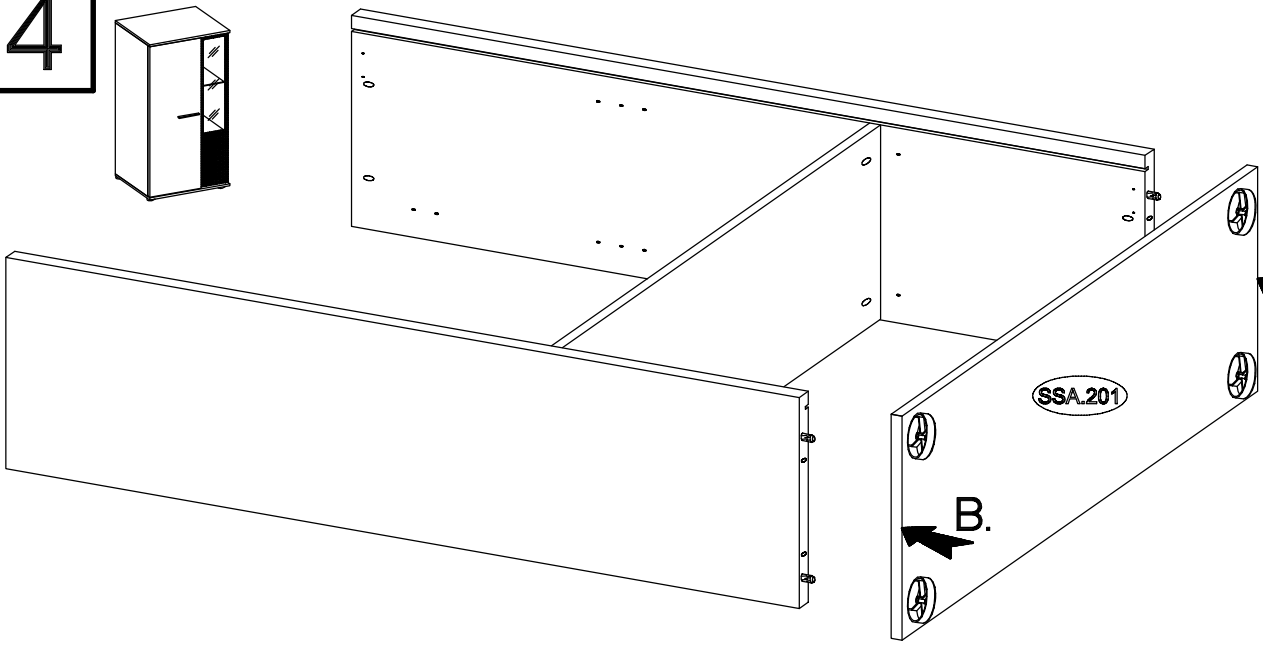
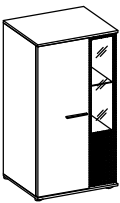
Diagram details: SSA.201, SSA.401, D2, F10, P14, C, A, 40mm, 40mm.



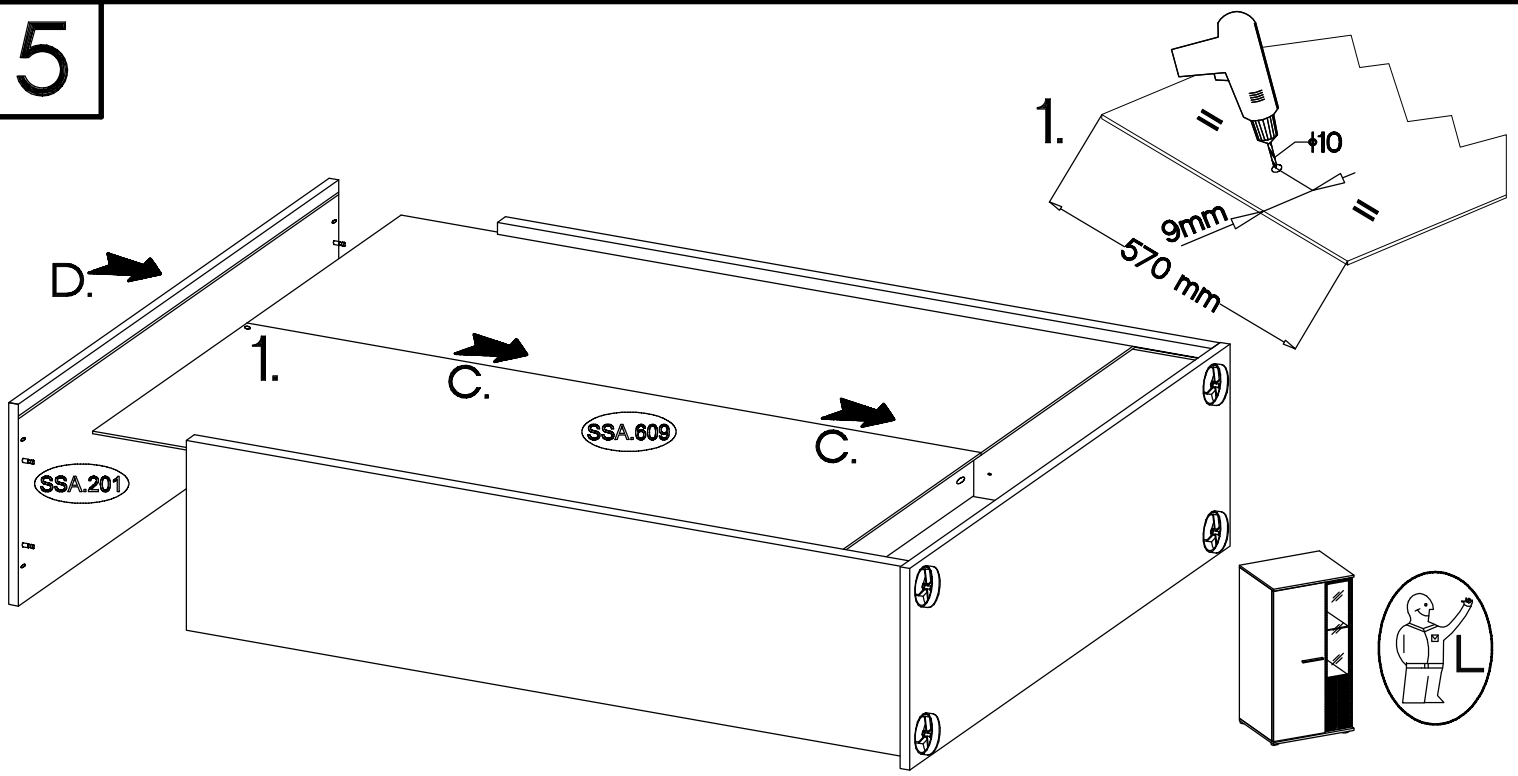
3



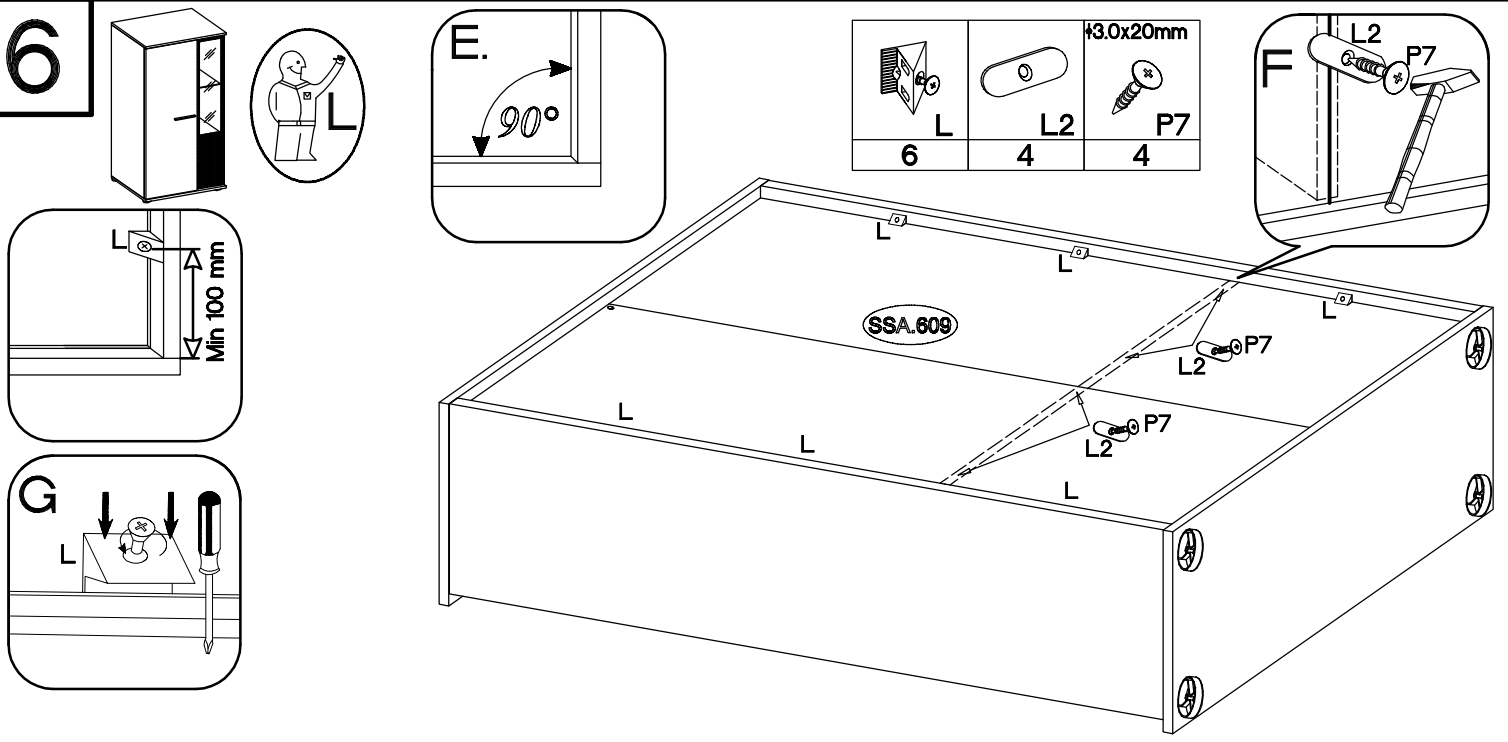
4



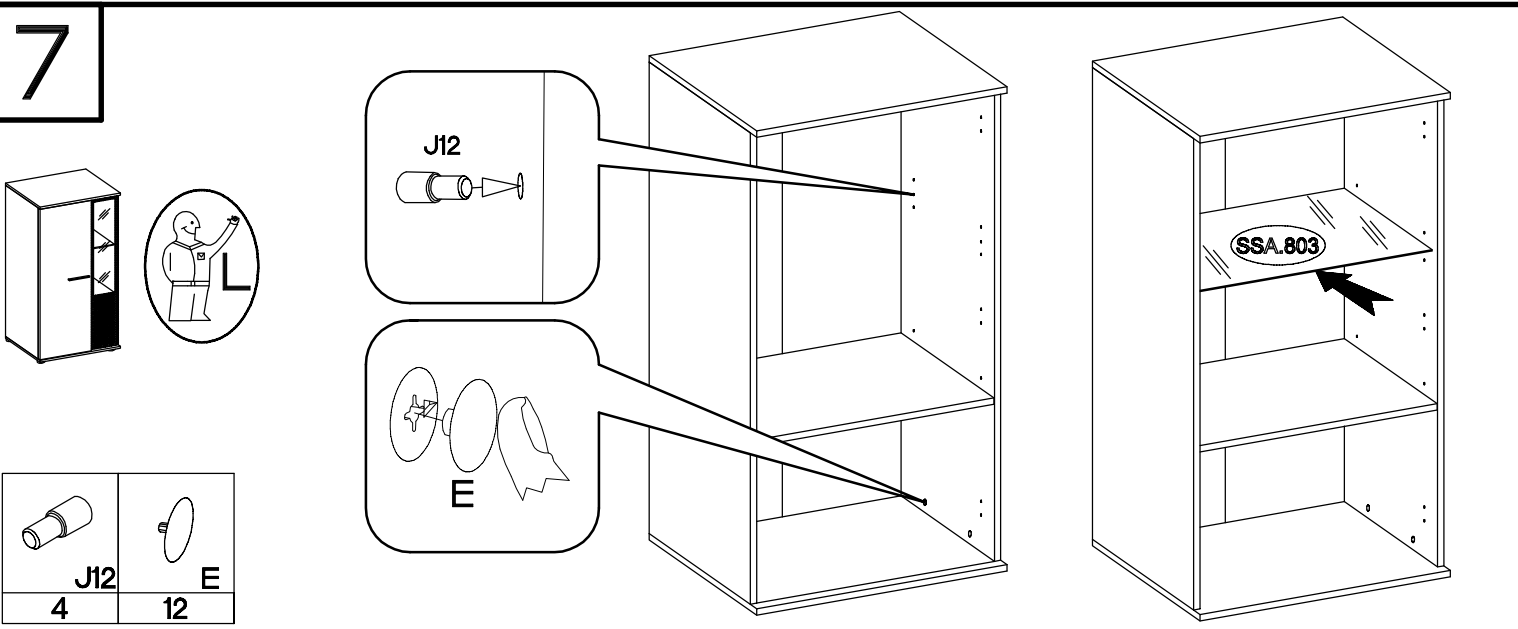
5



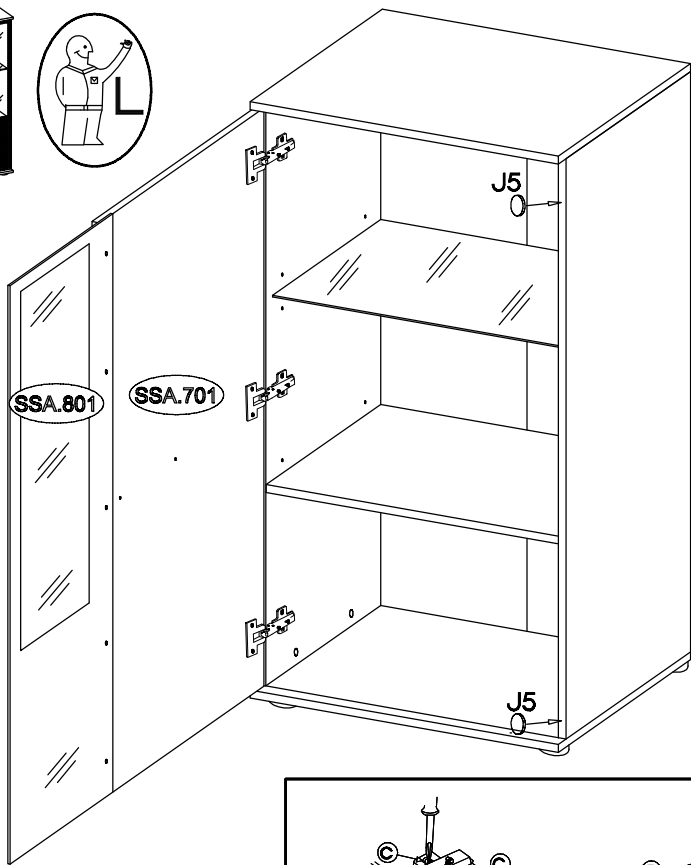
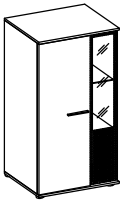
6



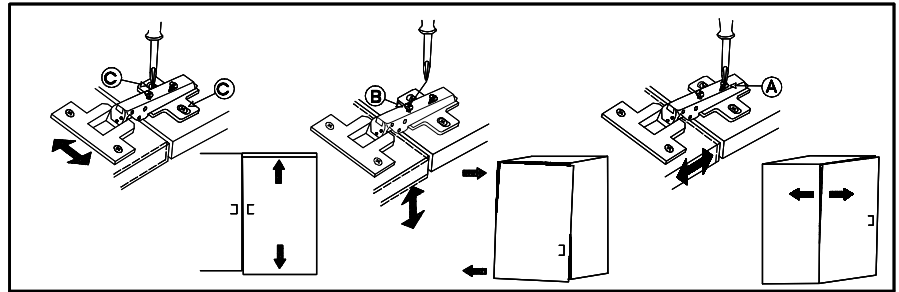
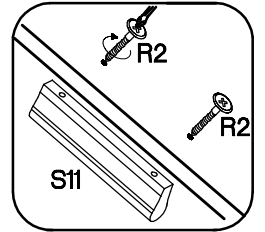
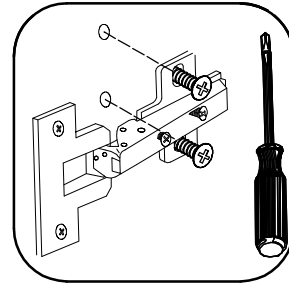
7



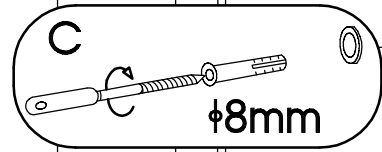
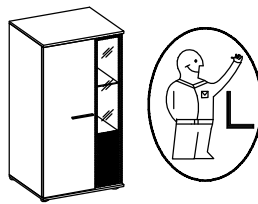
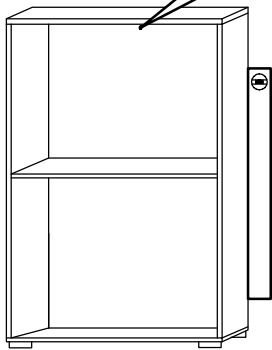
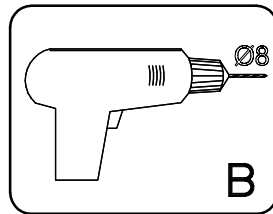
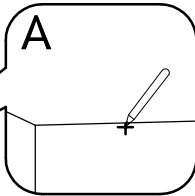
8



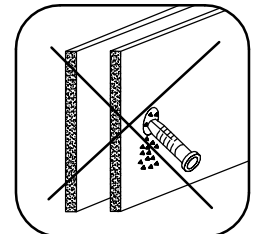
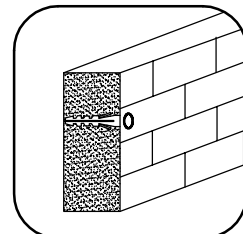
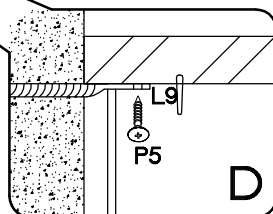
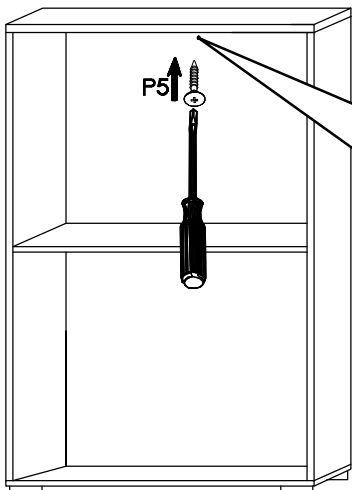
	$\phi 4.0 \times 30 \text{mm}$	L=128mm
J5		R2
2	2	1
		S11



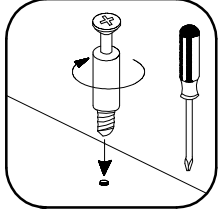
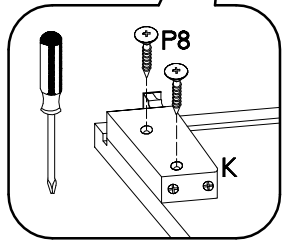
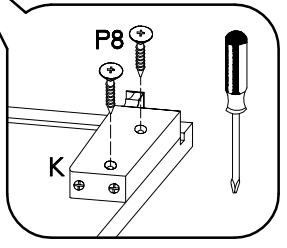
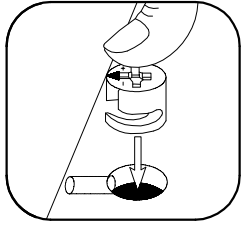
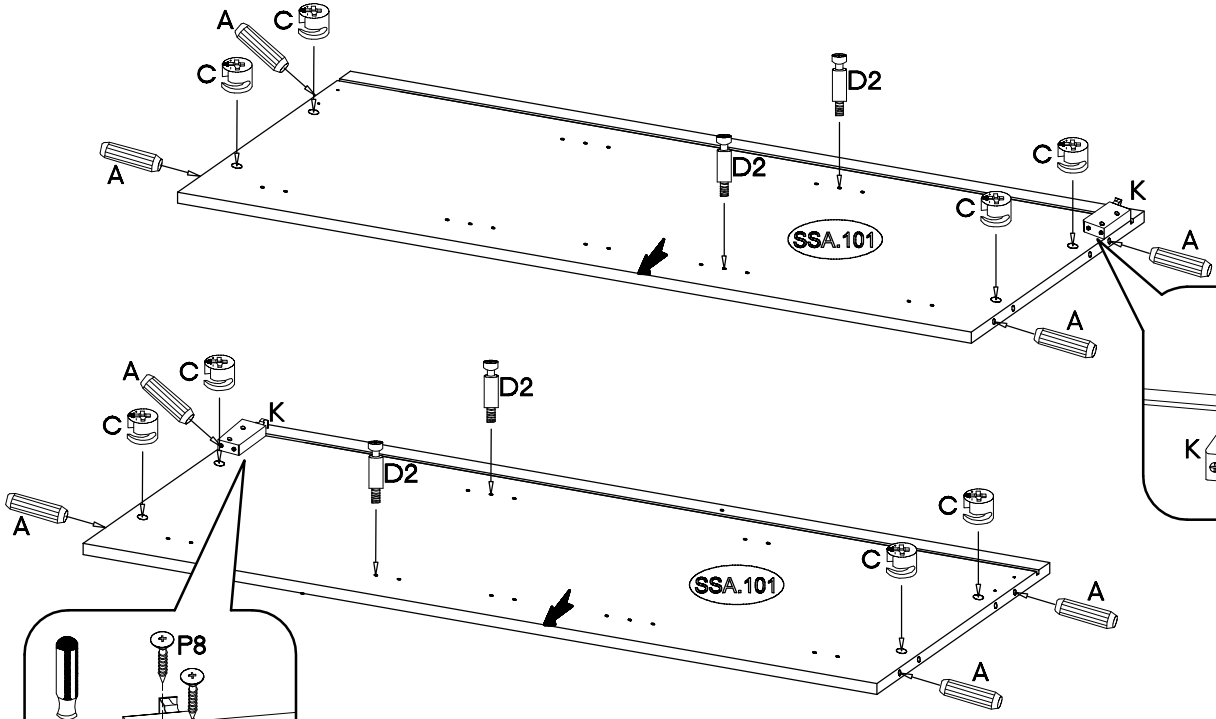
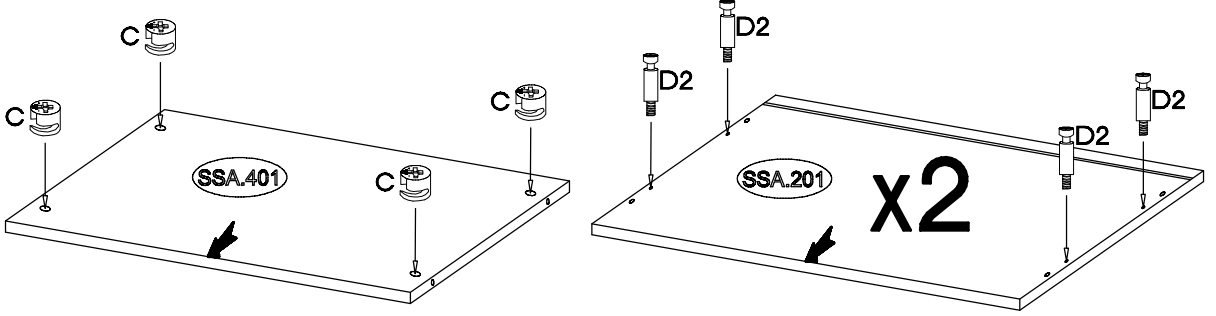
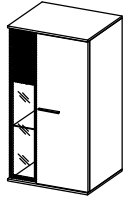
9



	$\phi 3.5 \times 13 \text{mm}$	$\phi 10 \times 50 \text{mm}$
L9	P5	O7
1	1	1

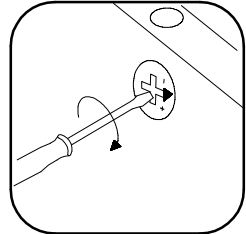
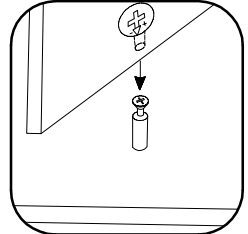
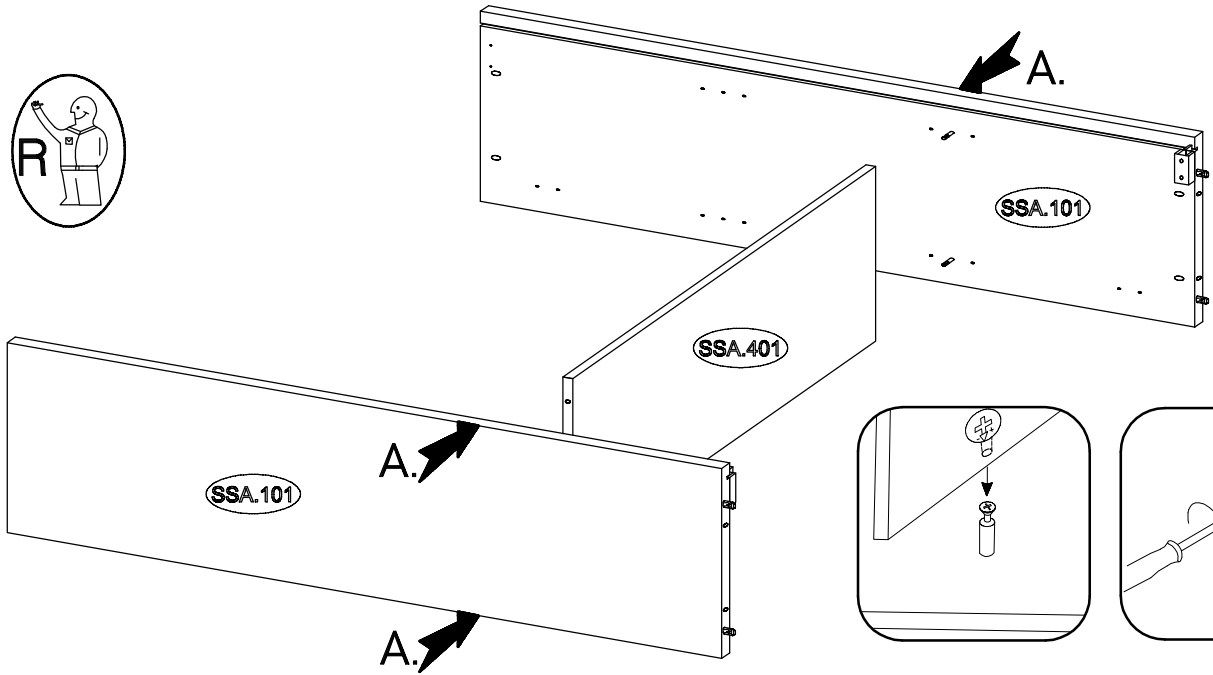
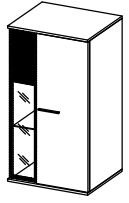


10

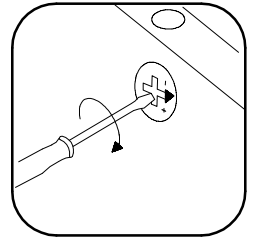
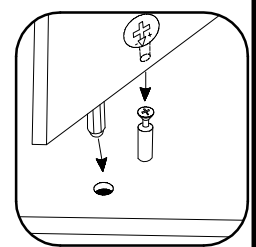
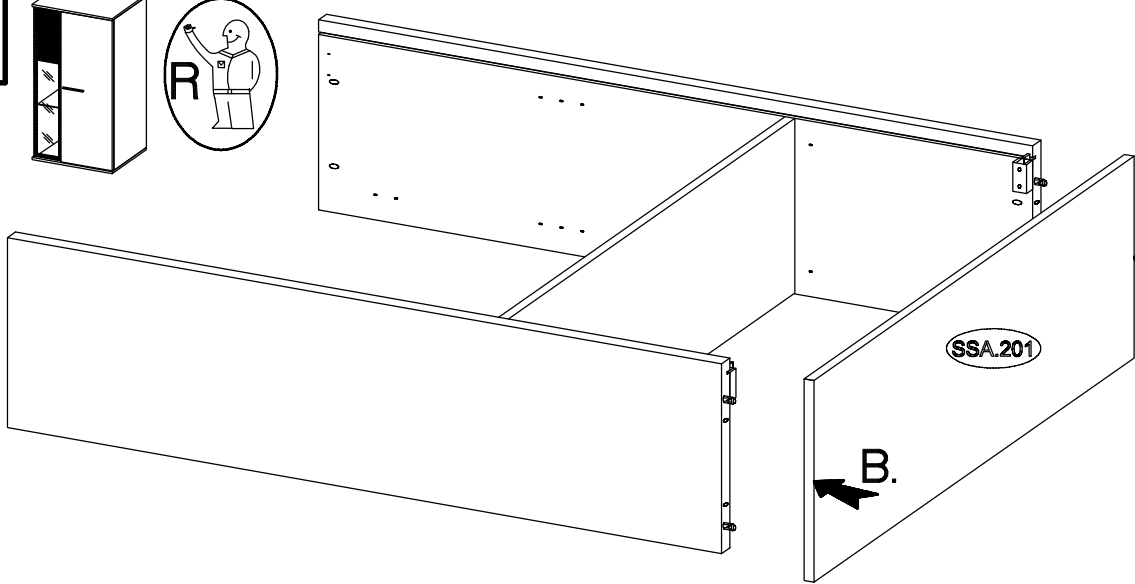
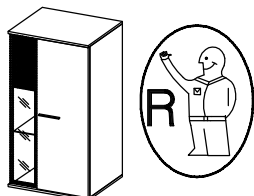


 C	 A	 D2	 K	 P8
12	8	12	2	4

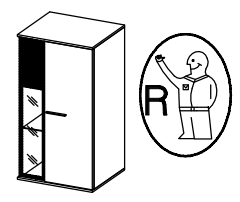
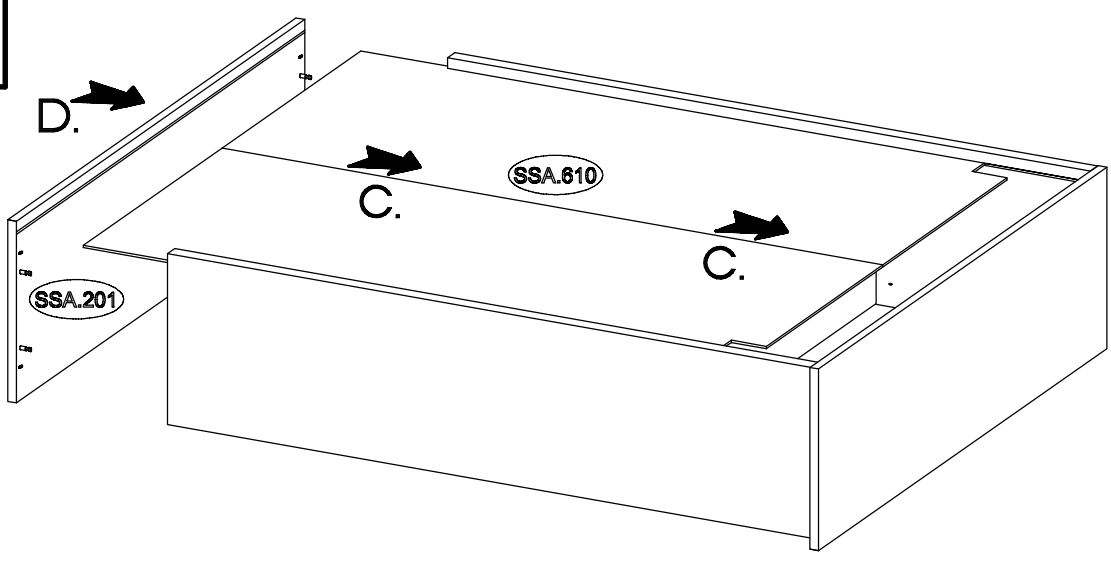
11



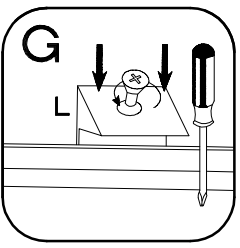
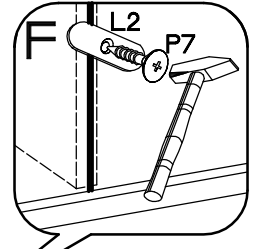
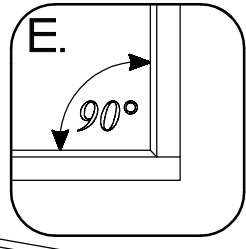
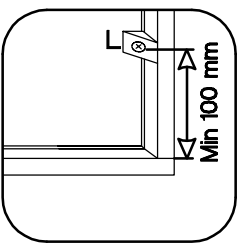
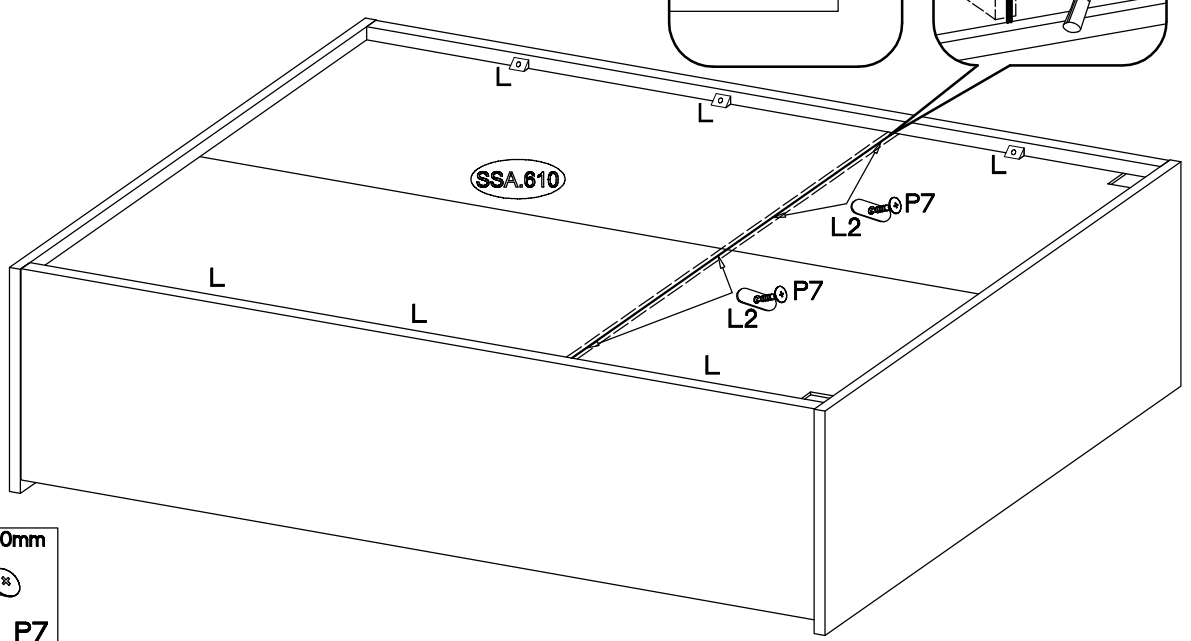
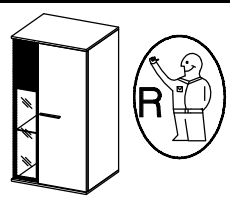
12



13



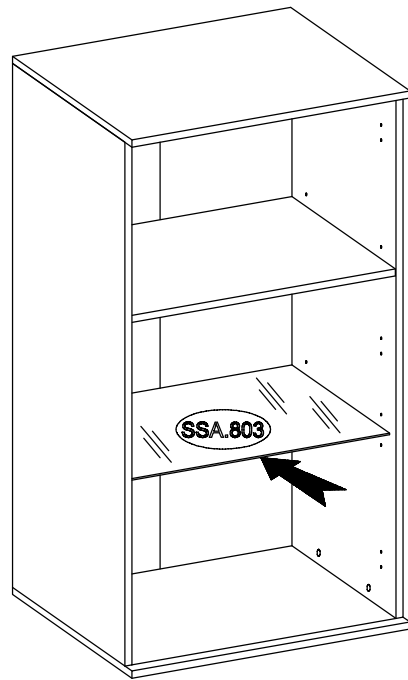
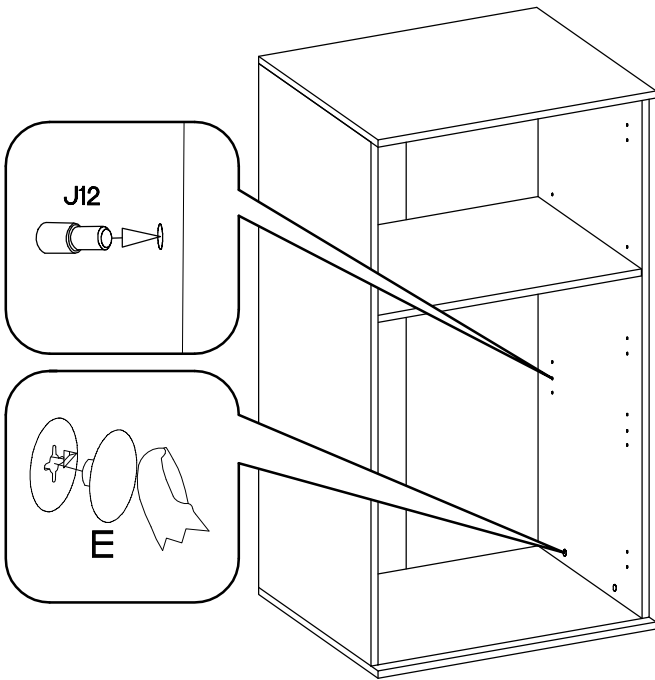
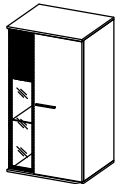
14



L	L2	P7
6	4	4

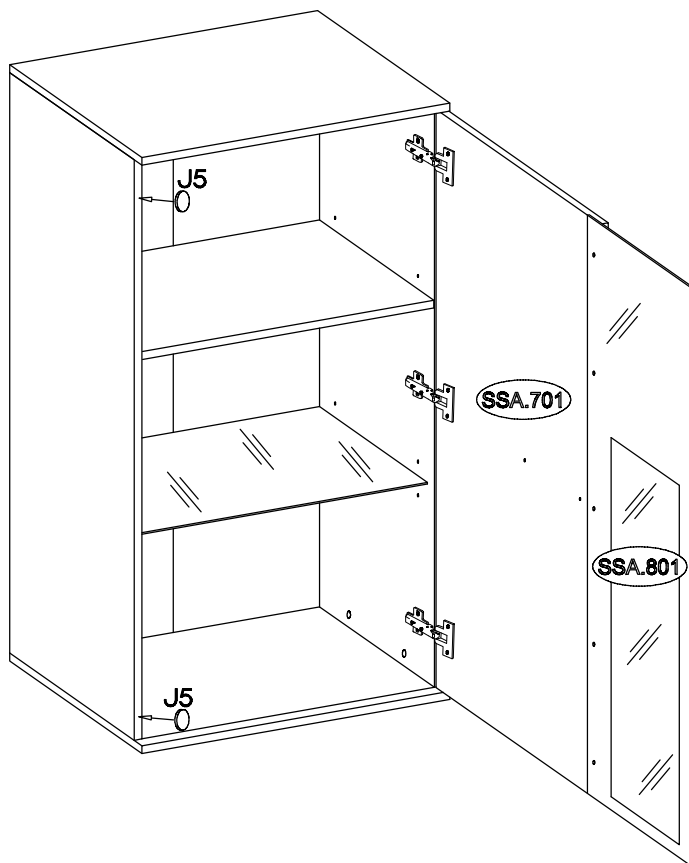
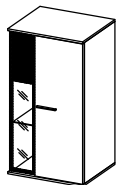
+3.0x20mm

15

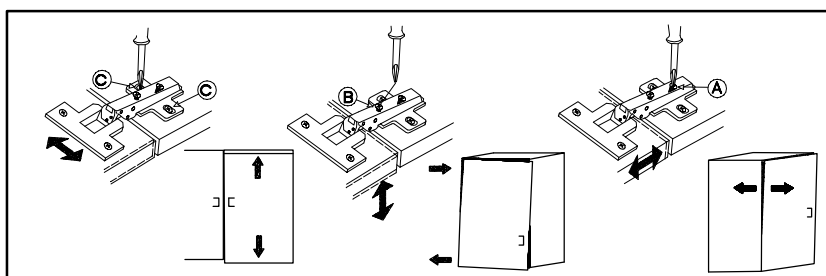
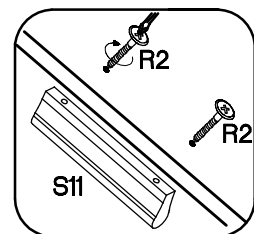
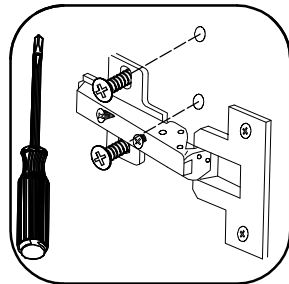





J12	E
4	12

16



J5	R2	S11
2	2	1



±5.0x60mm	±10x50mm	
		K16
P12	O7	
4	4	2

