
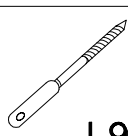


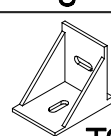
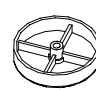

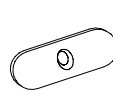



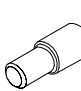



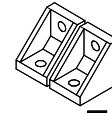

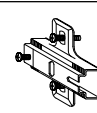




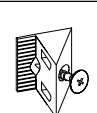
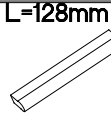


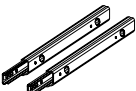
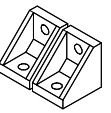
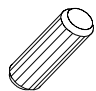
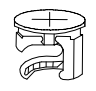
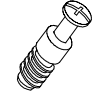

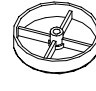


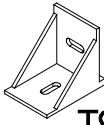
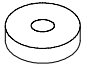
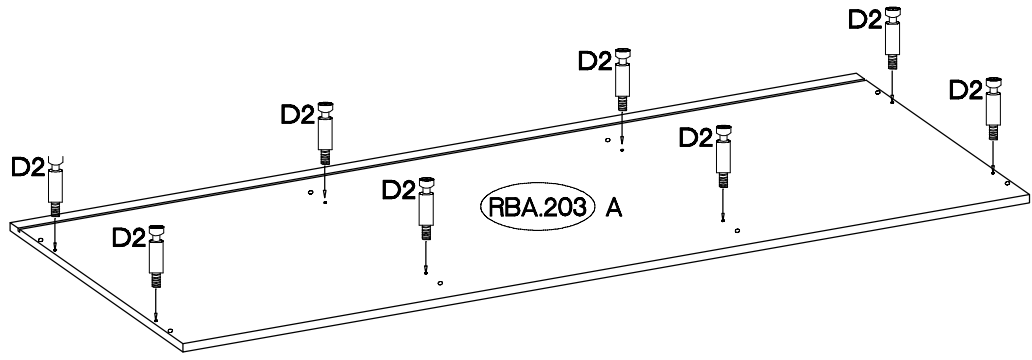
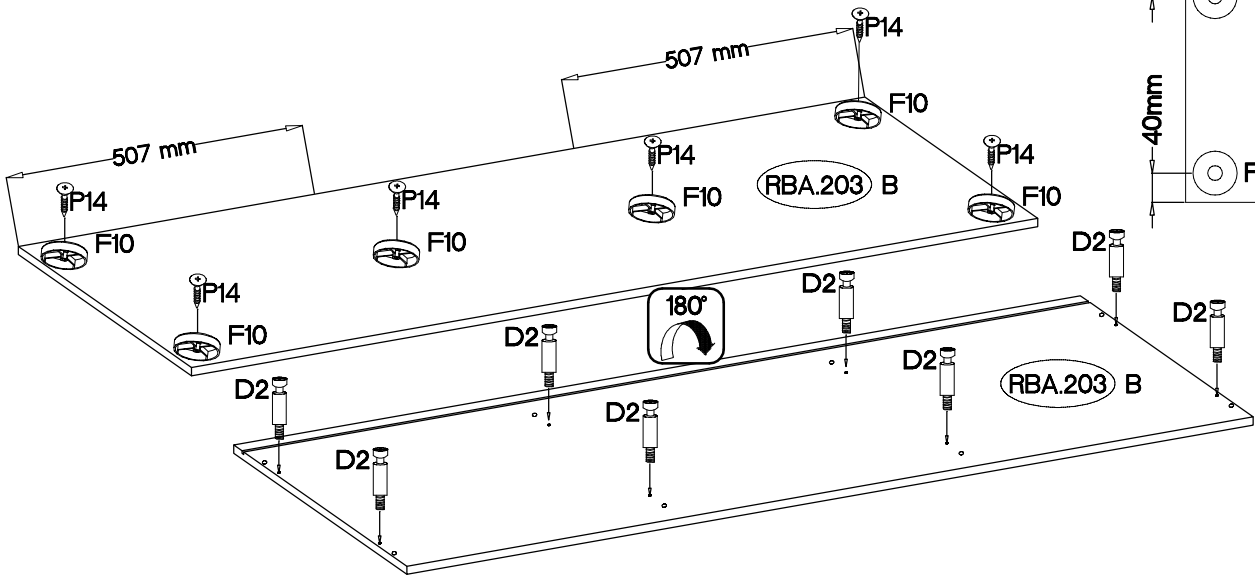
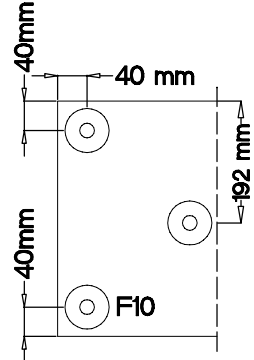
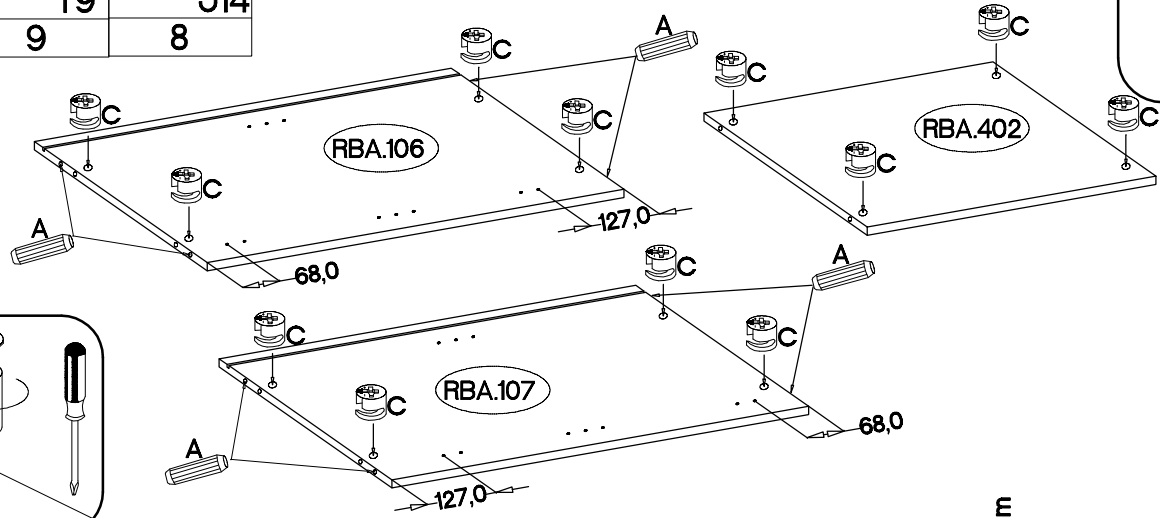
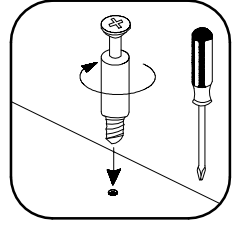
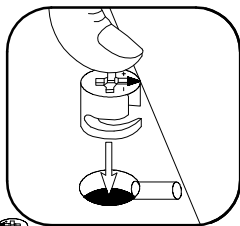
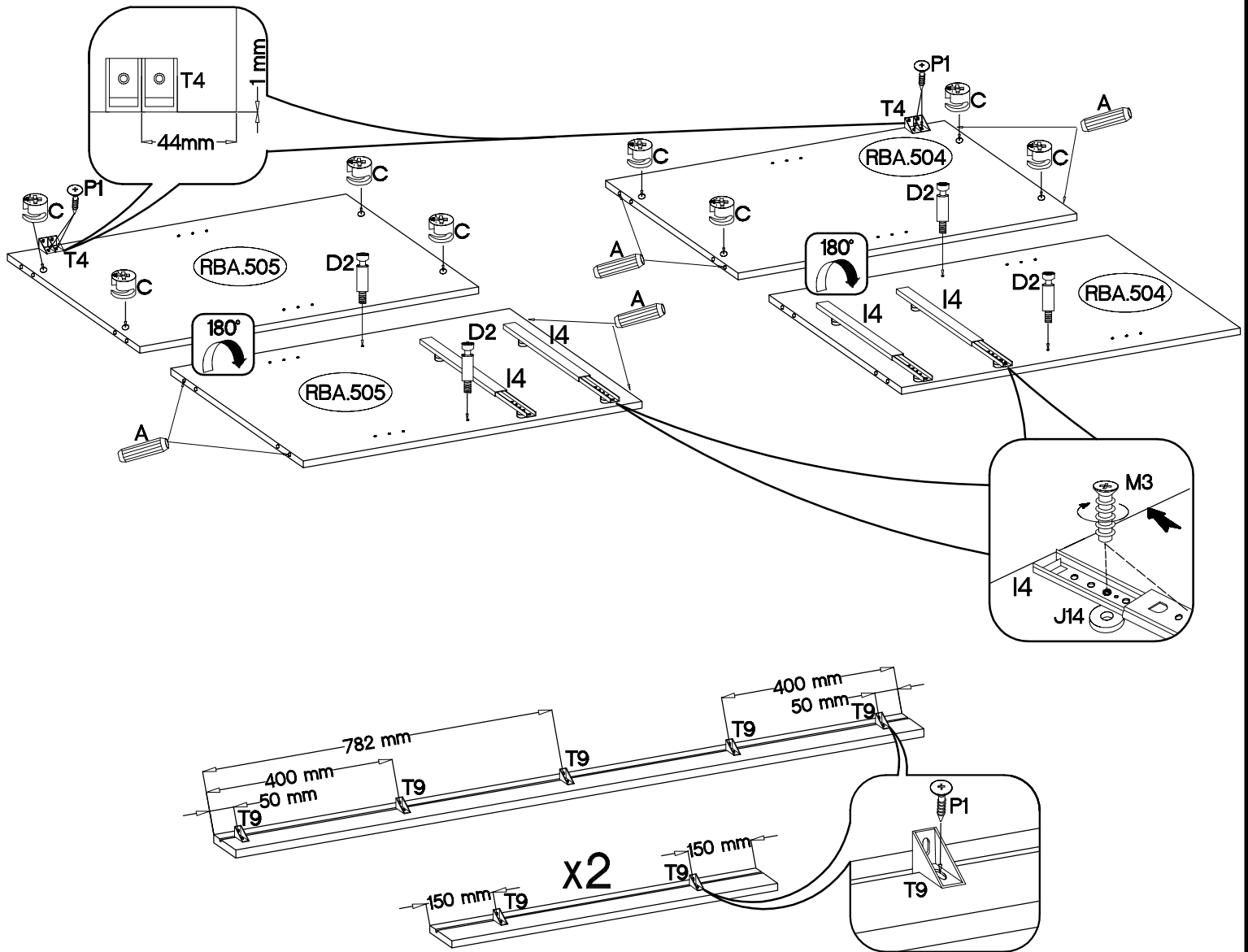
 †20/8mm J14 8	 †10x50mm O7 2	 L9 2		
						 †6,3x20mm M3 8	 †6x42mm B2 4	 T9 9	 F10 6	 †4.0x25mm P14 6
	 L2 10	 †3.5x13mm P5 10	 †4.0x16mm P1 26	 †4.0x30mm R2 8	 J12 4	 M4x9mm U1 4	 O1 1	 310/27mm I 2	 T4 2	
 E 16	 H 4	 †3.0x20mm P7 13	 L=20mm D2 20	 †15/12mm C 20	 †8x30mm A 16	 L 14	 L=128mm S1 4	 †5/16mm J3 8	 †35/0mm G 4	

1

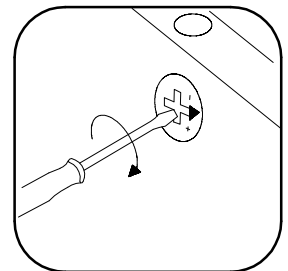
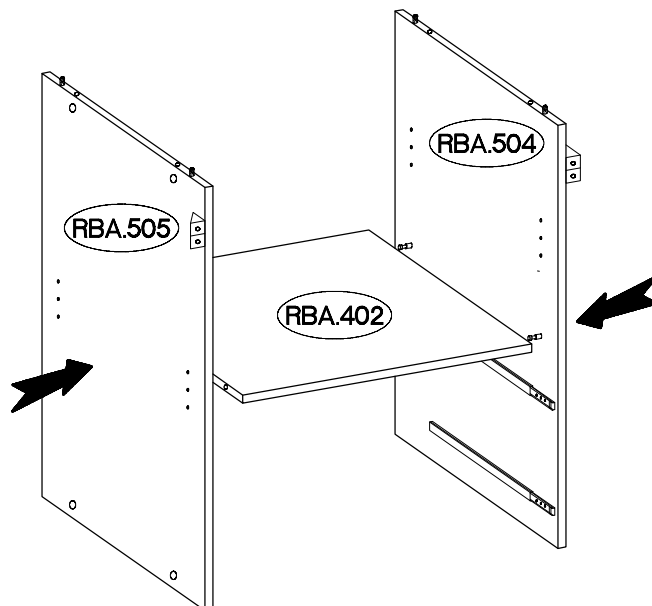
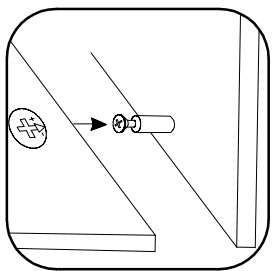
310/27mm  I	 T4	±8x30mm  A	±15/12mm  C	L=20mm  D2	±6,3x20mm  M3	 F10	±4.0x25mm  P14	±4.0x16mm  P1
2	2	16	20	20	8	6	6	13
 T9	±20/8mm  J14							
9	8							



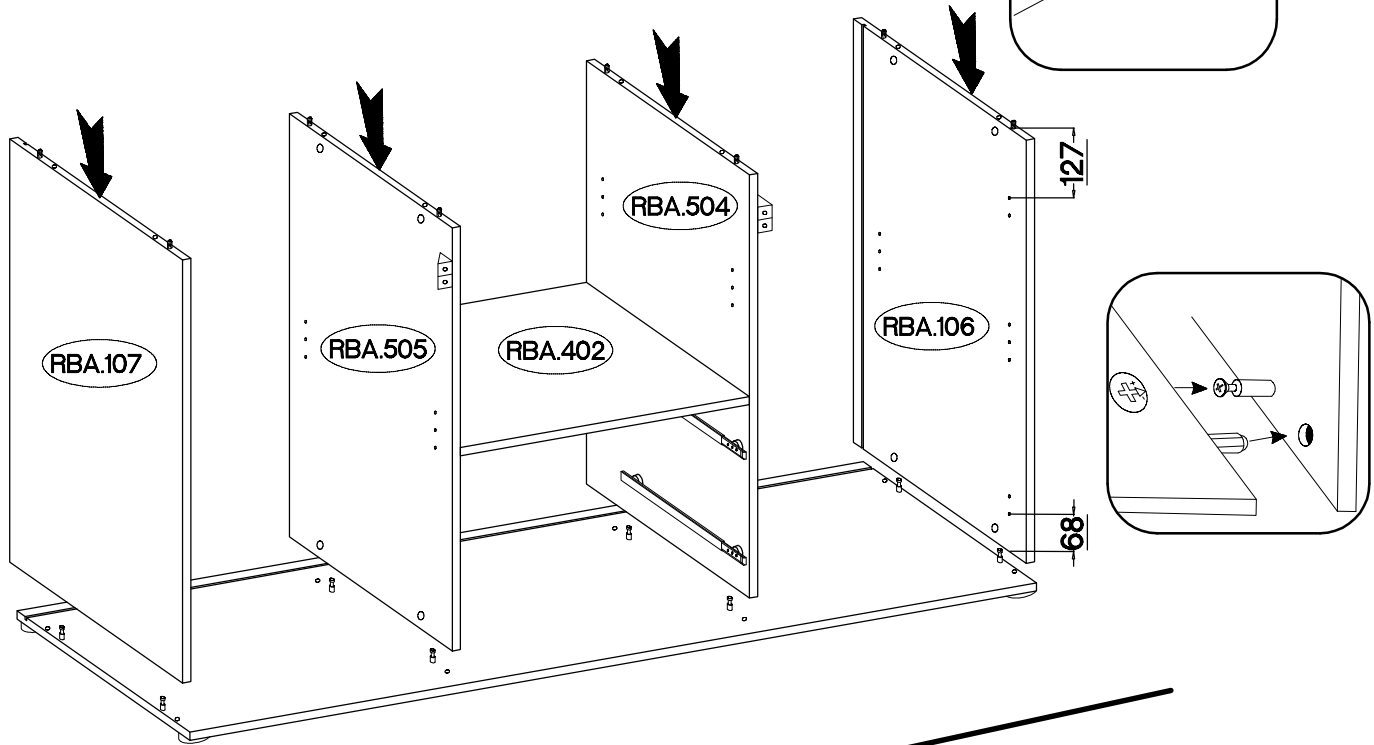
1



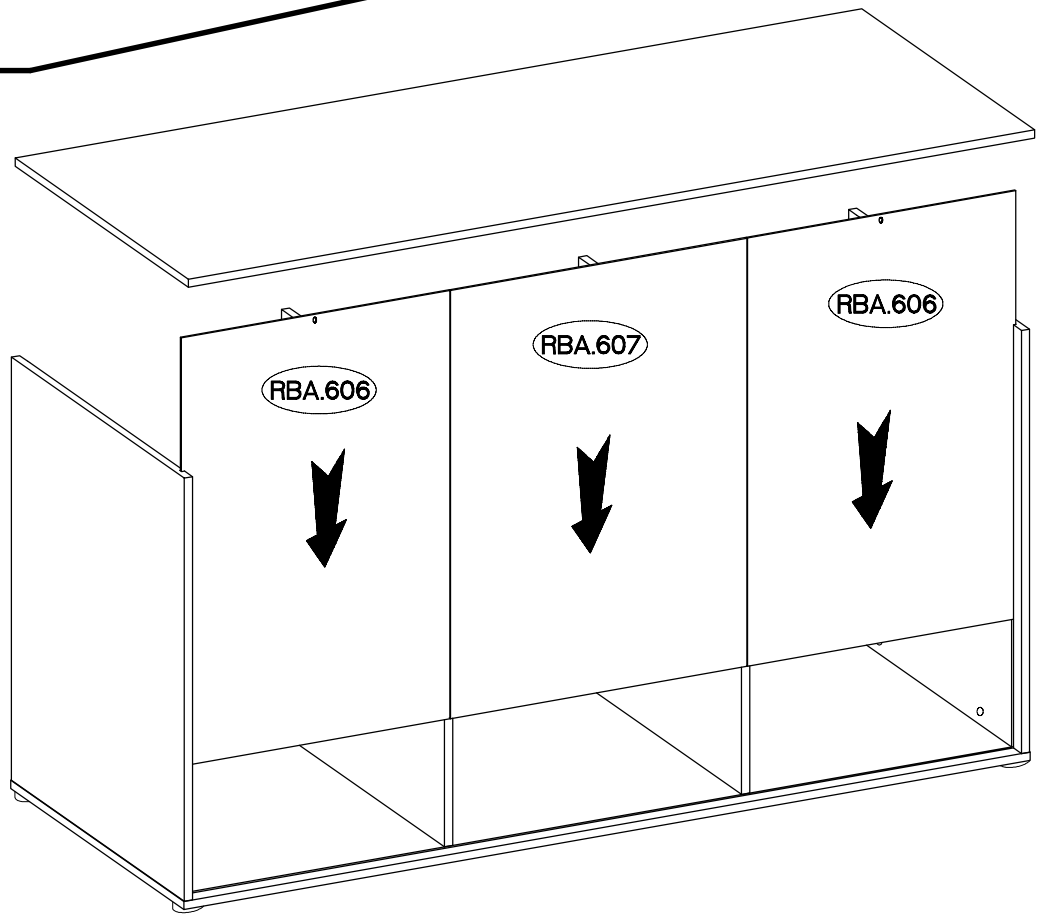
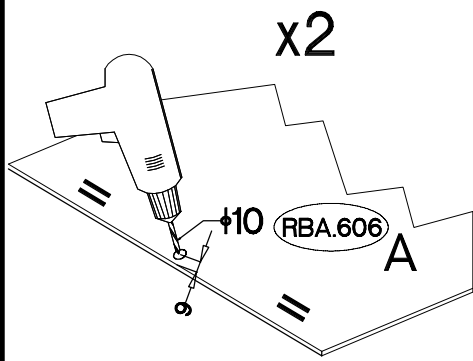
2



3



4



5

±3.0x20mm



P7

13



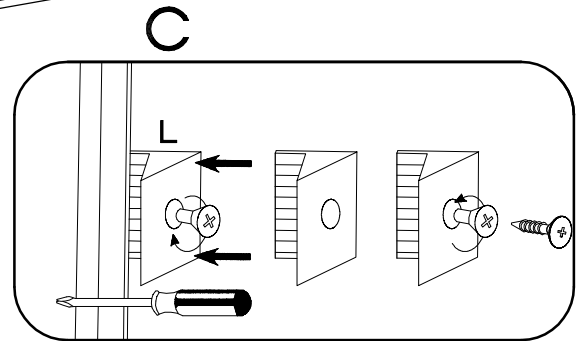
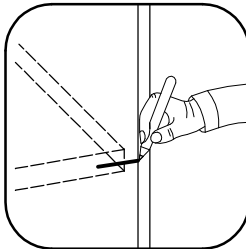
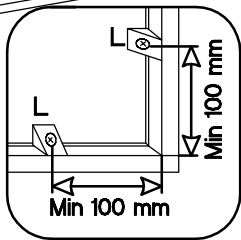
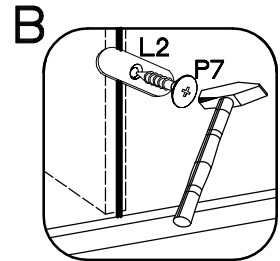
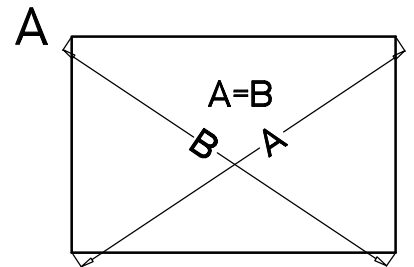
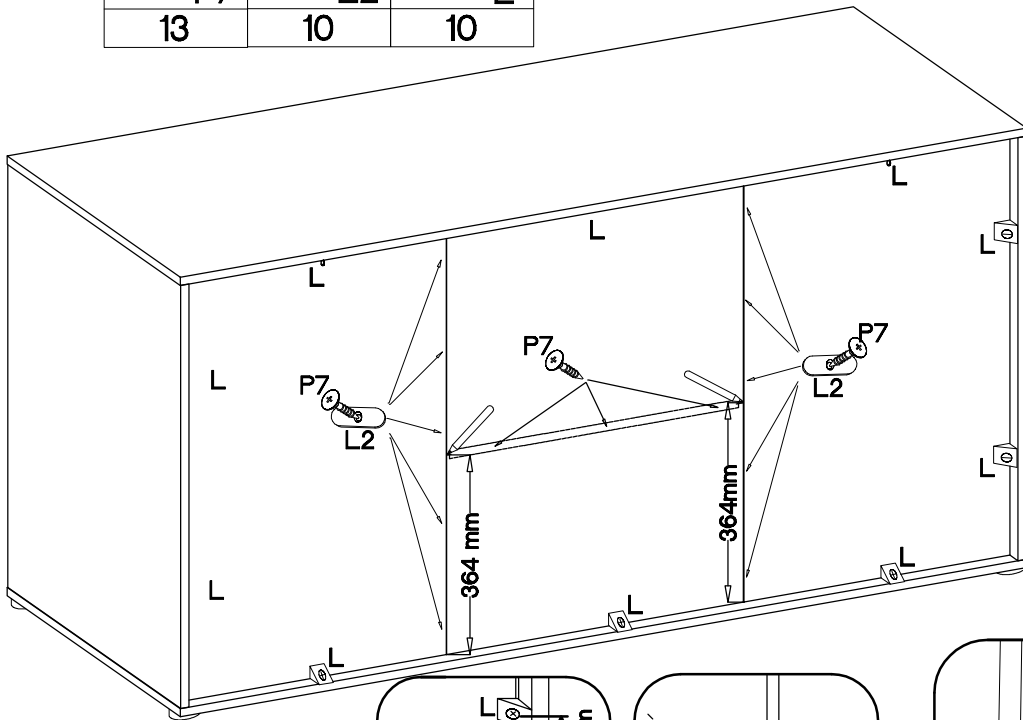
L2

10



L

10



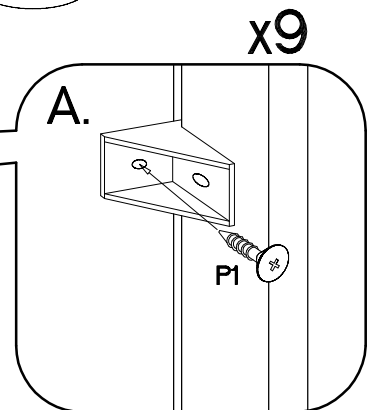
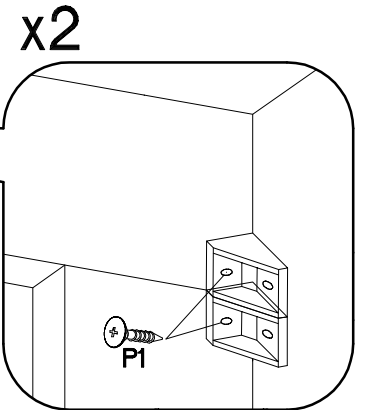
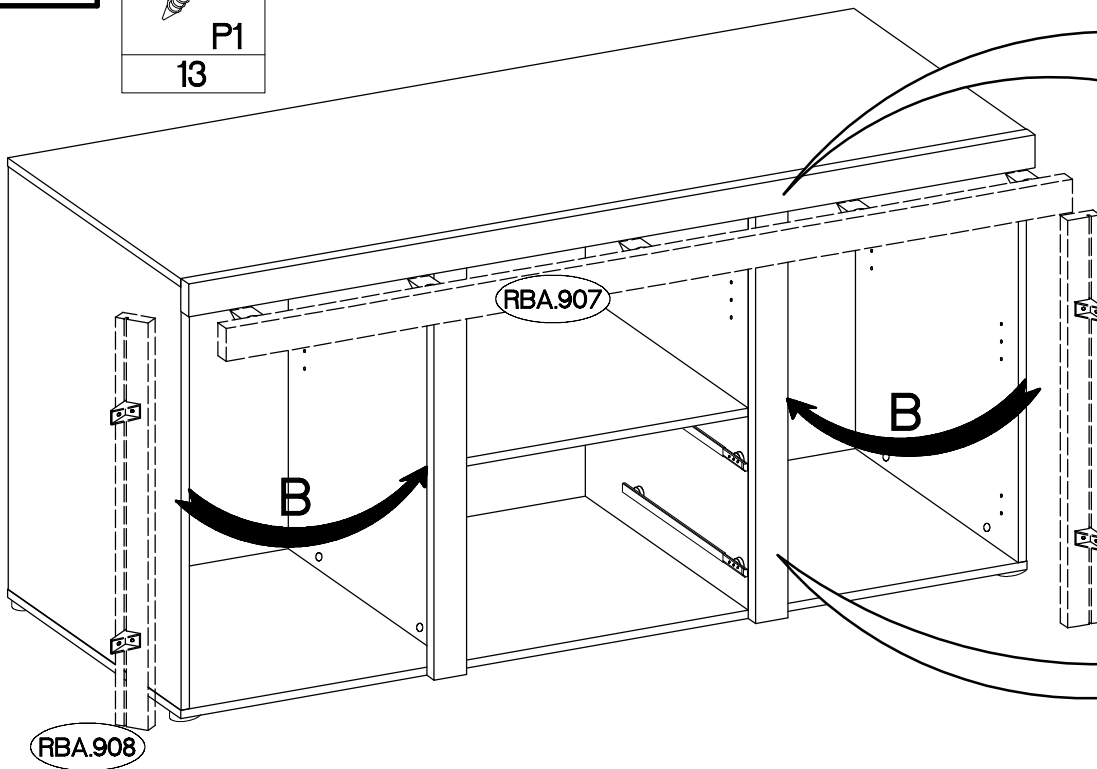
6

±4.0x16mm

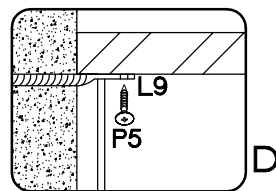
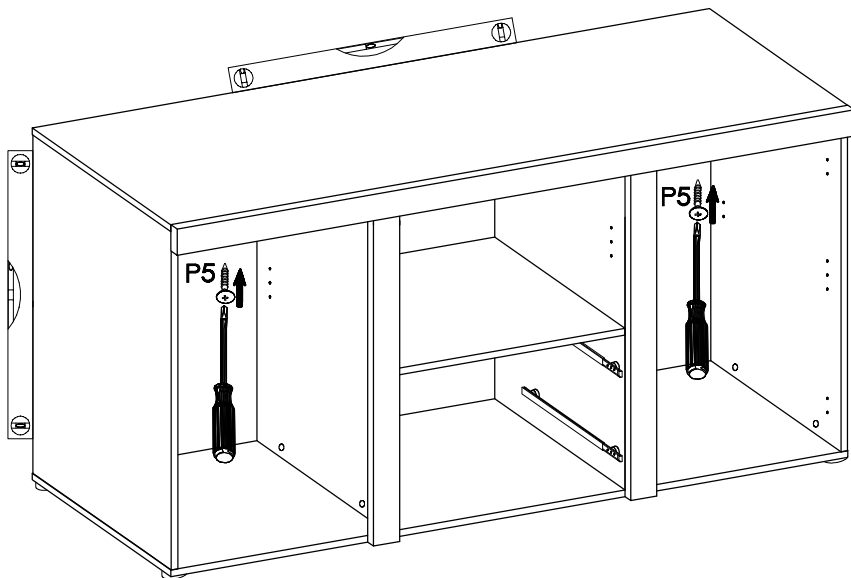
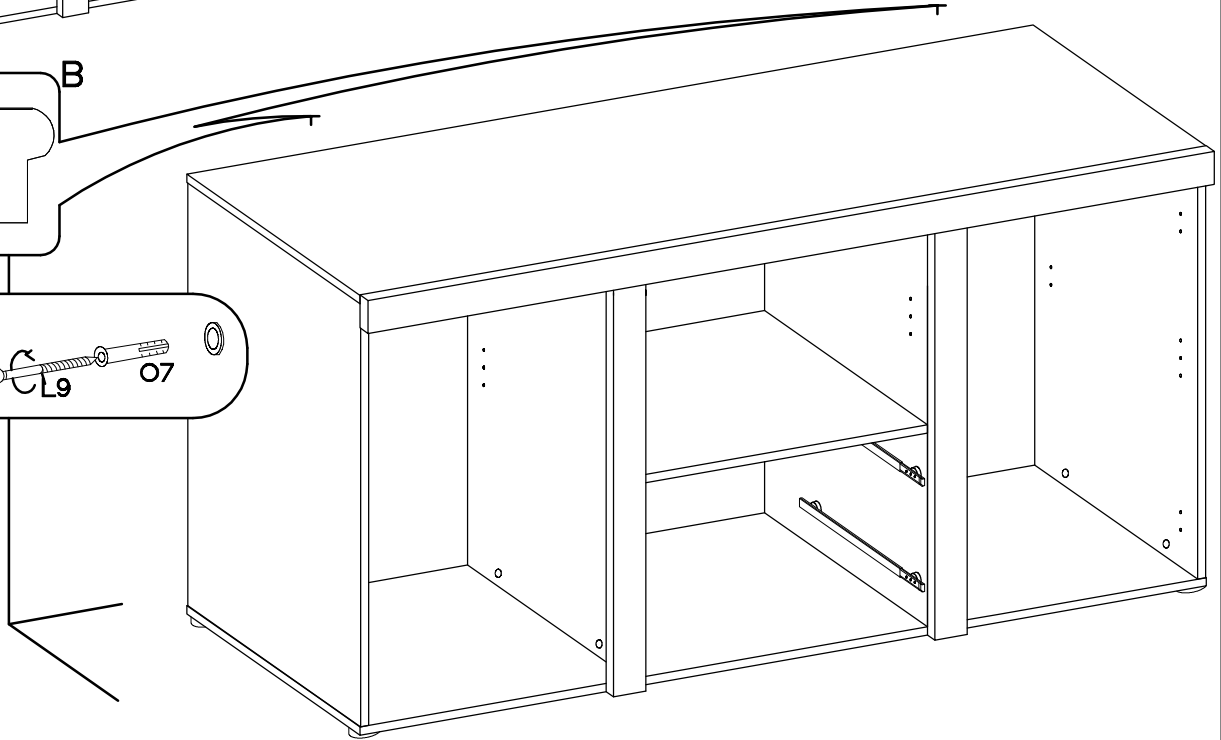
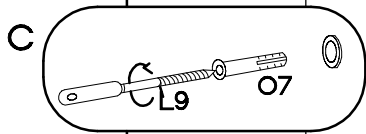
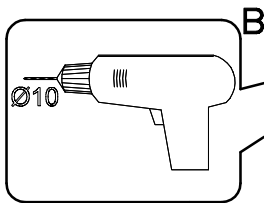
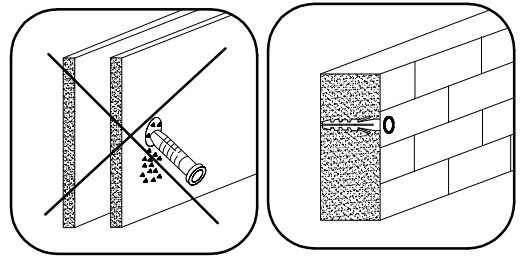
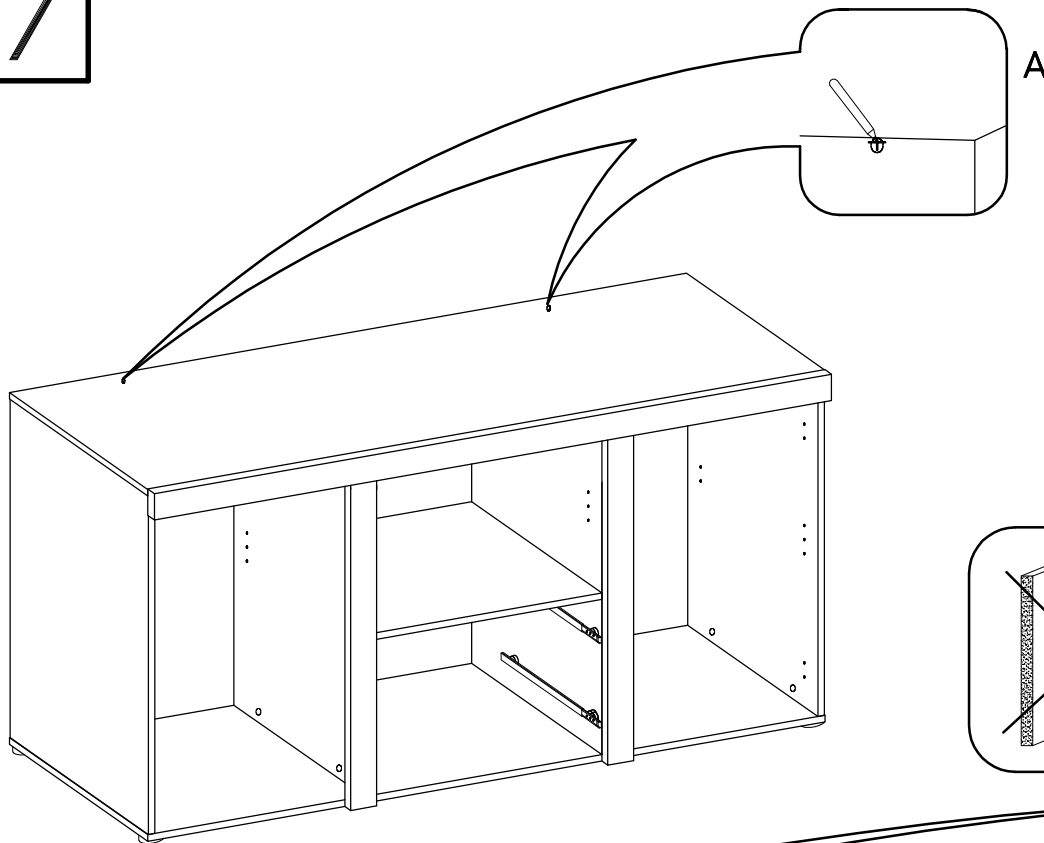





P1

13





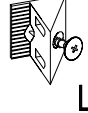


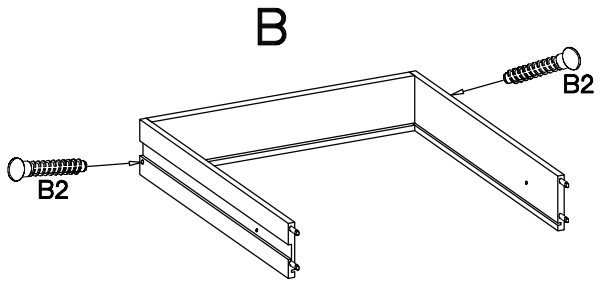
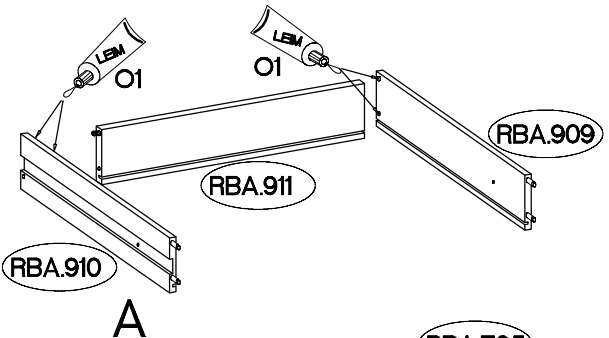
7



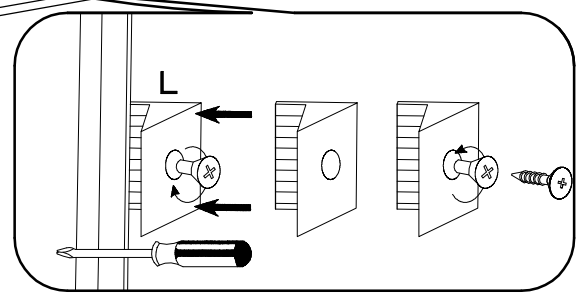
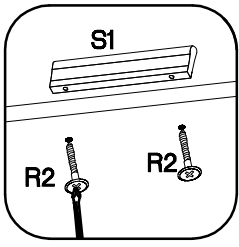
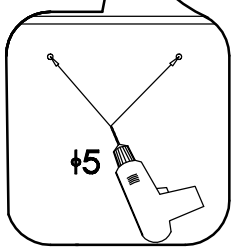
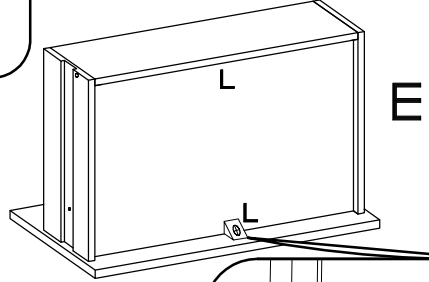
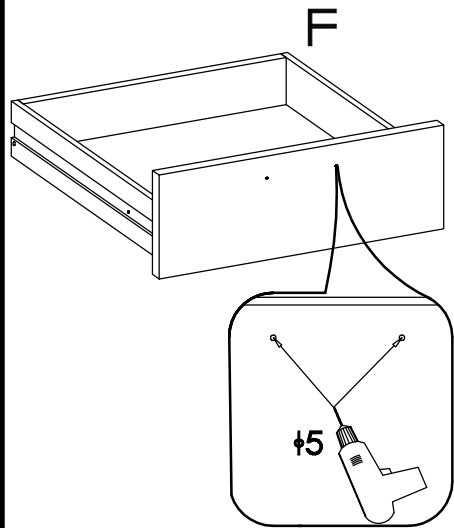
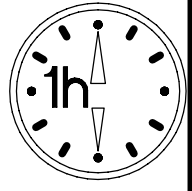
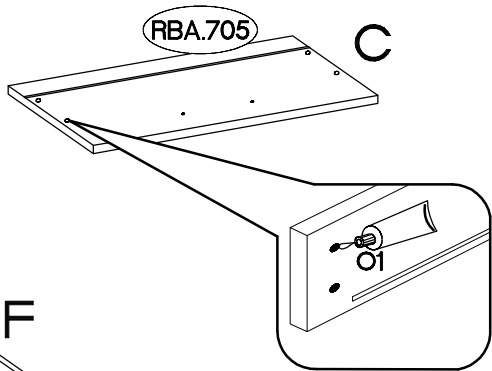
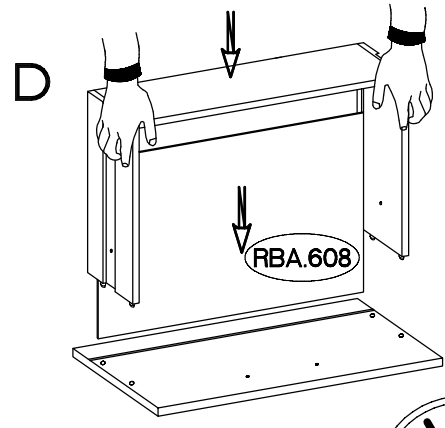
†10x50mm		†3.5x13mm
		
O7	L9	P5
2	2	2

8

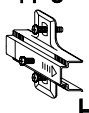
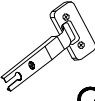

+6x42mm  B2 4	 O1 1	L=128mm  S1 2	+4.0x30mm  R2 4	 L 4
--	---	--	--	--

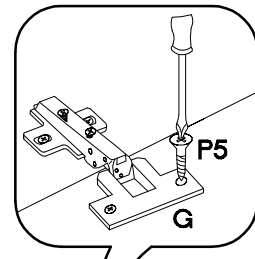
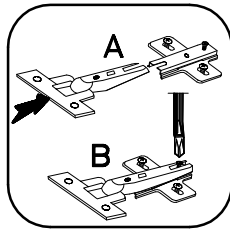


x2

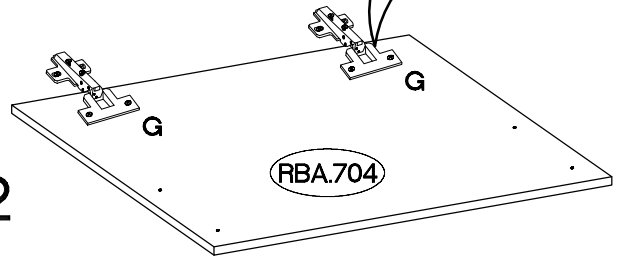


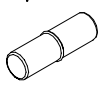
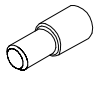
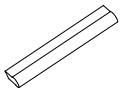
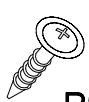


9

H=0  H 4	+35/0mm  G 4	+3.5x13mm  P5 8
--	--	---



x2



$\varnothing 5/16\text{mm}$  J3 8	 J12 4	$L=128\text{mm}$  S1 2	$\varnothing 4.0 \times 30\text{mm}$  R2 4	$M4 \times 9\text{mm}$  U1 4	 E 16
---	---	--	--	--	--

