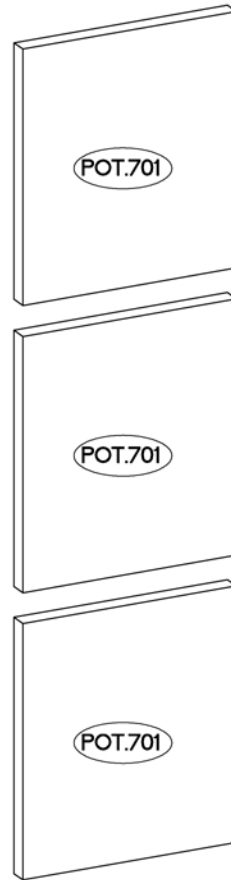
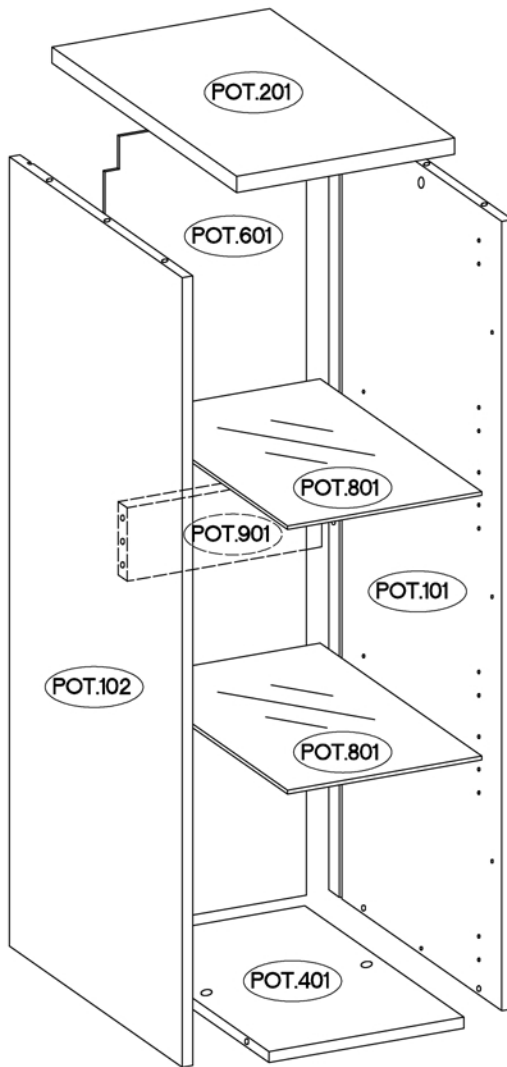
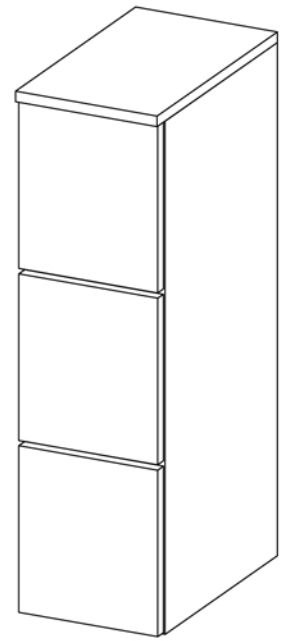
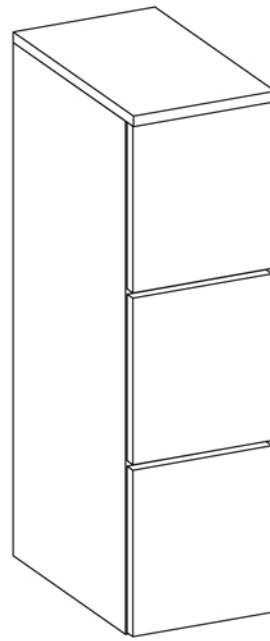






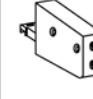




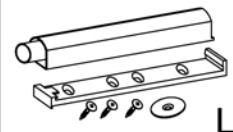
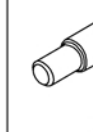










# PIRTON 132

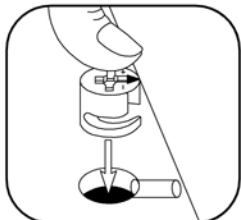
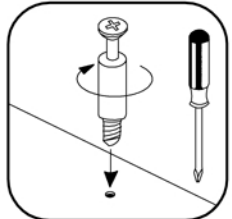
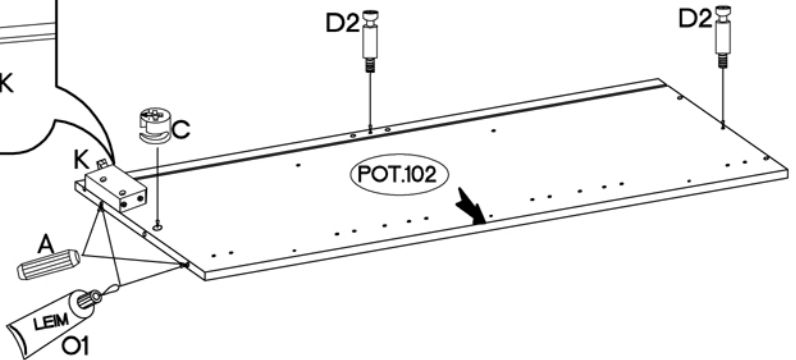
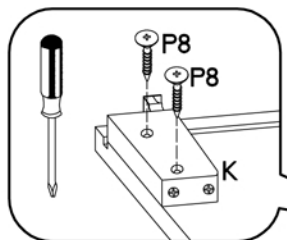
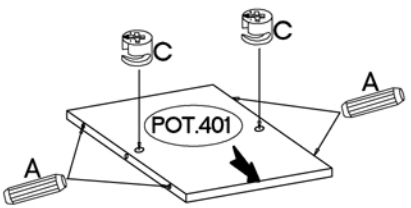
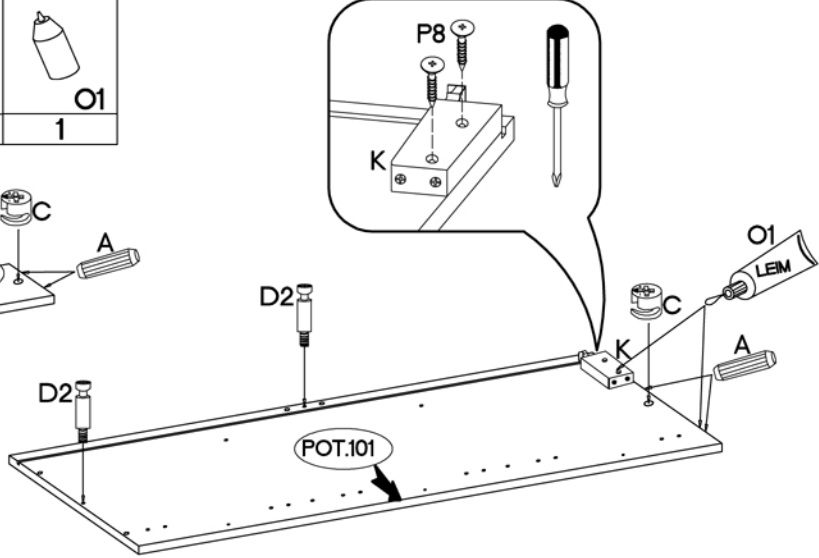
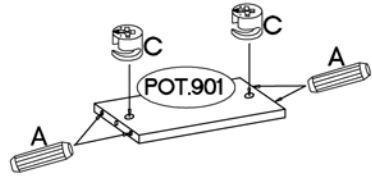
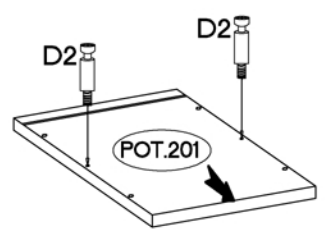


POT.401 , POT.801 =  max. 2kg

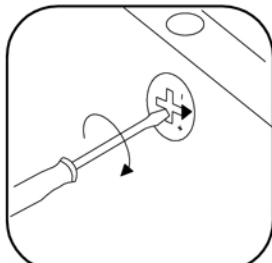
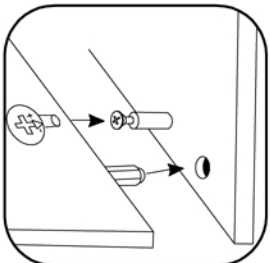
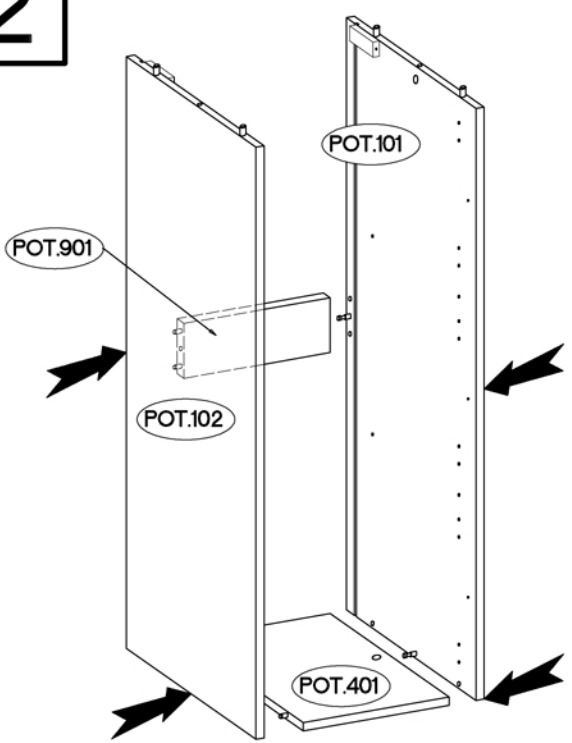
 L=20mm D2 6	 ∅15/12mm C 6	 ∅8x30mm A 12	 L 4	 O1 1	 K 2	 ∅4.0x30mm P8 4	 H=0 H 6	 ∅35/0mm G 6	 ∅3.5x13mm P5 12	 L21 3	 J12 8	 ∅3.0x20mm P7 3	 E 4
---	---	---	---	--	---	--	--	--	--	--	---	---	---

# 1

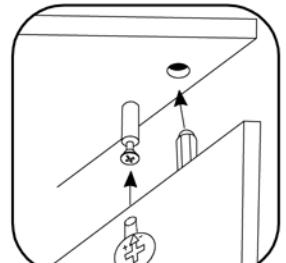
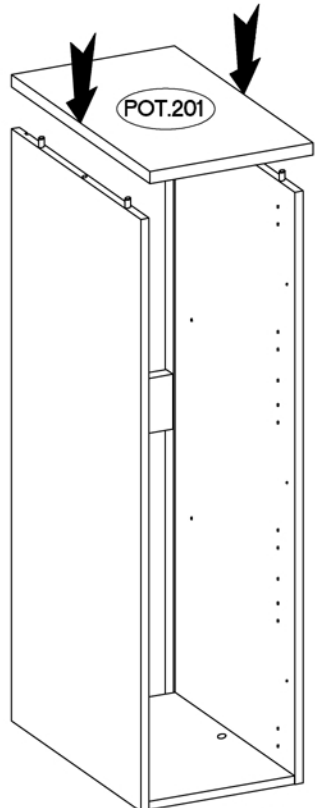
L=20mm	∅15/12mm	∅8x30mm		∅4.0x30mm	
					
D2	C	A	K	P8	O1
6	6	12	2	4	1



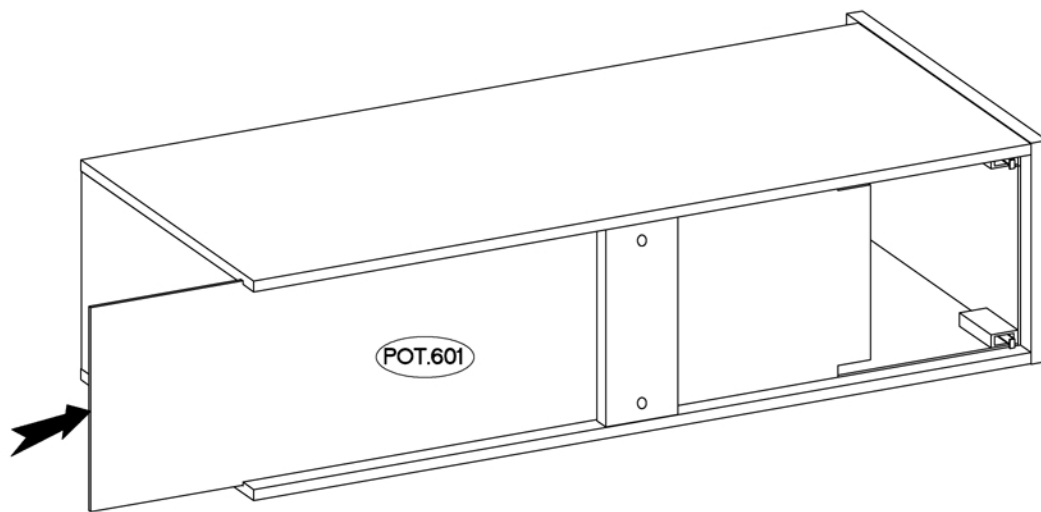
# 2



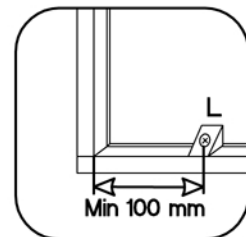
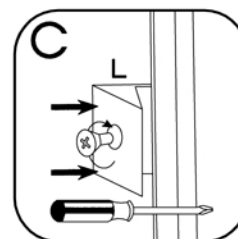
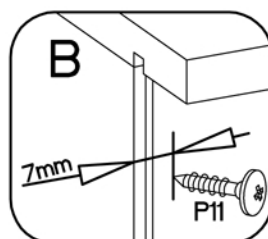
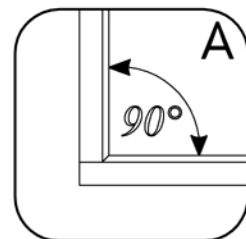
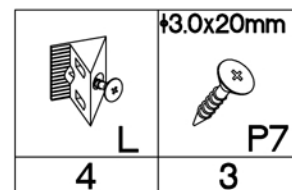
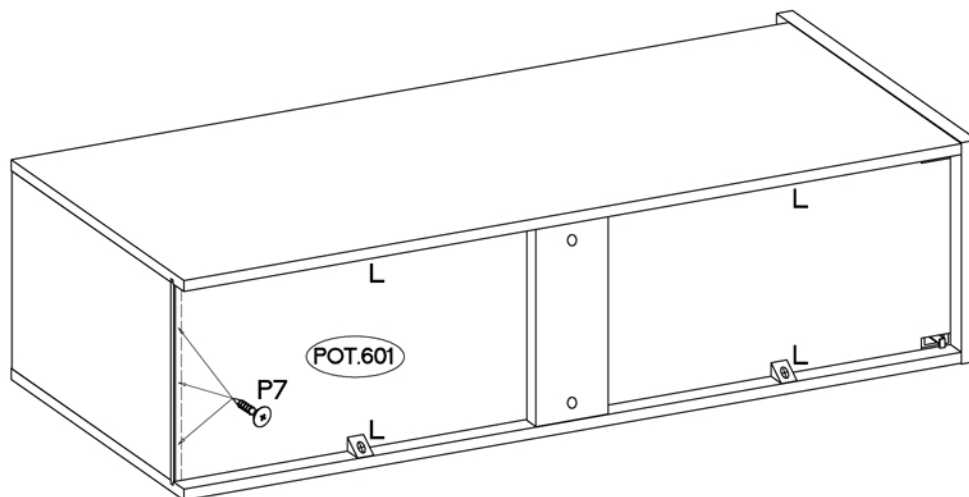
# 3



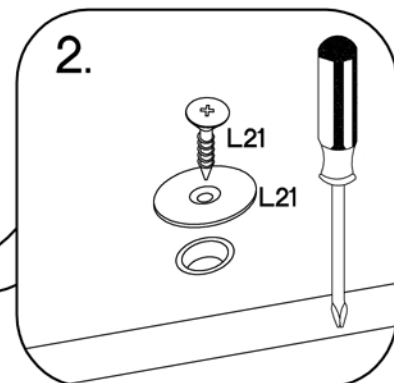
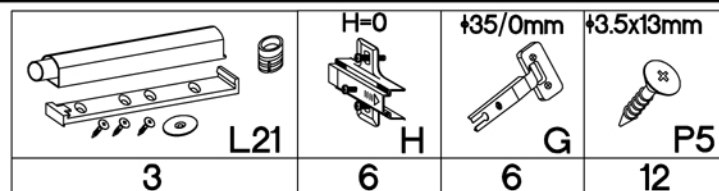
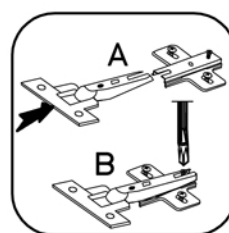
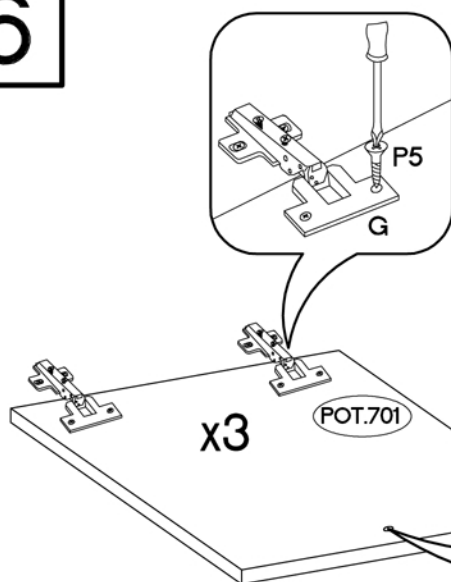
4





5

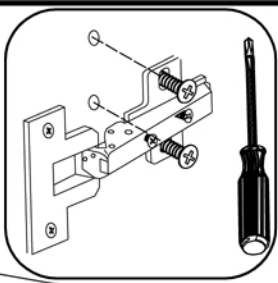




6

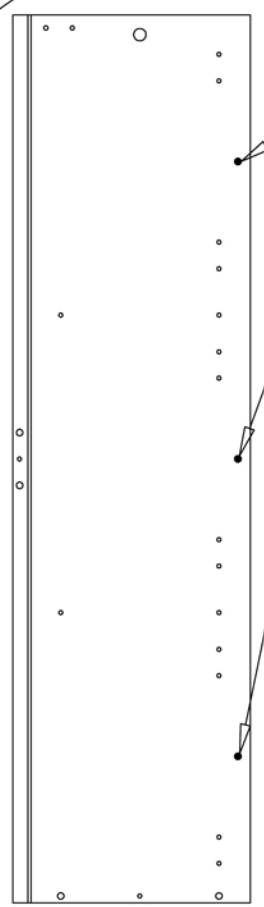
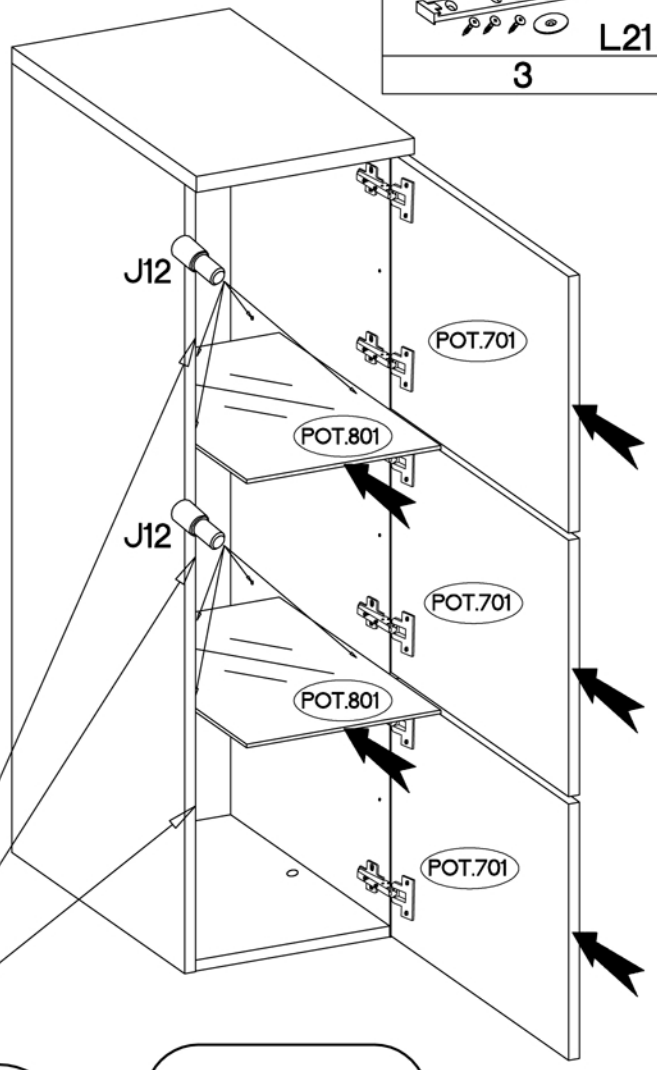
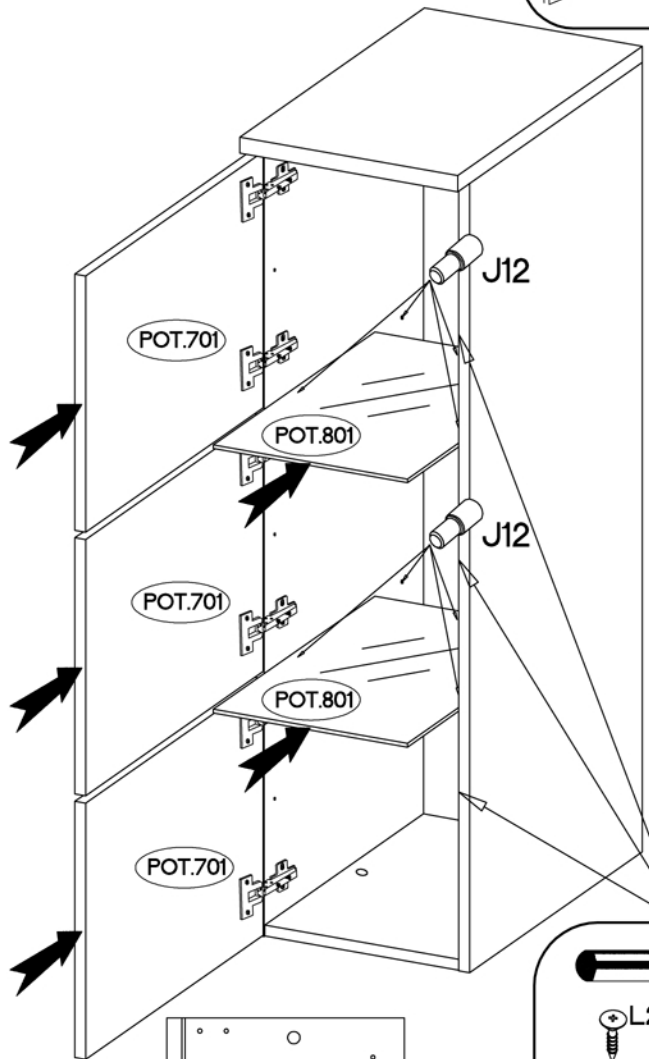


7

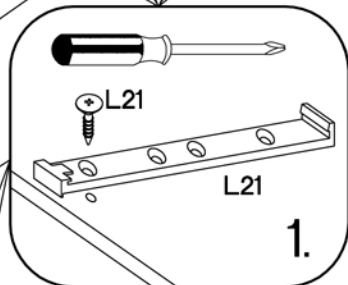
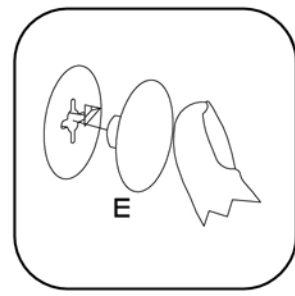
	
J12	E
8	4



	
L21	E
3	



1.

2.

