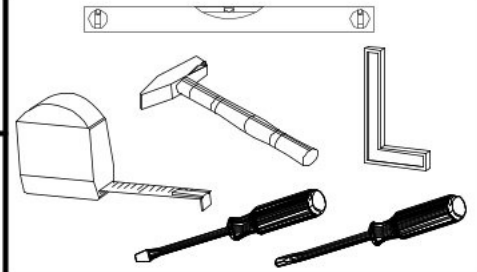
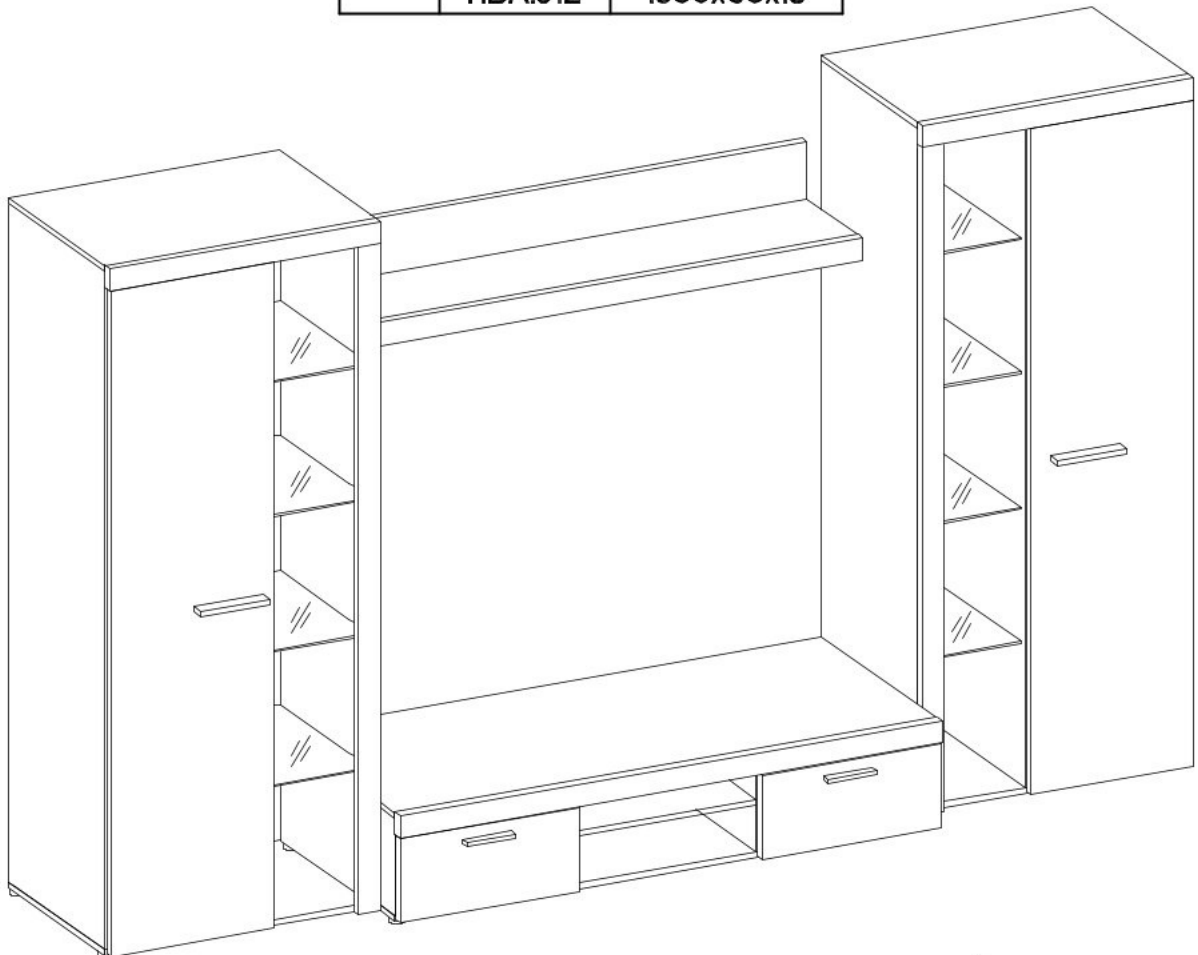
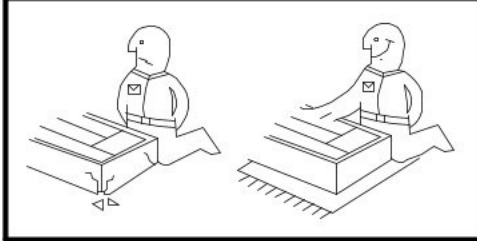
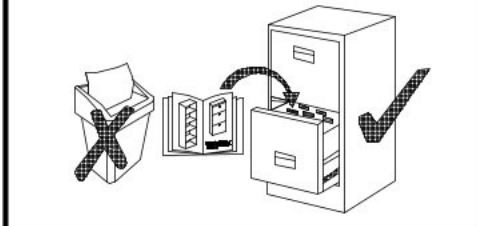


XL

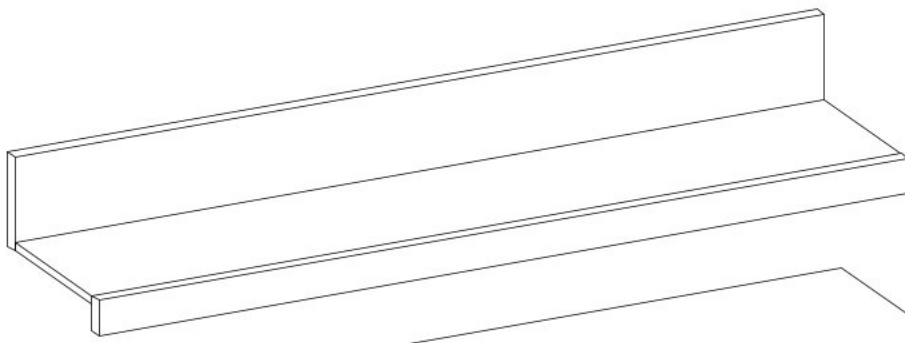
BJ01 DL01
 WH01 SO01



Coli	Ersatzteil Nummer	Dimension	Coli	Ersatzteil Nummer	Dimension
1/4	RBA.201 x4	750x320,5x15	3/4	RBA.108	1850x320x15
	RBA.301 x4	423x283x15		RBA.109	1850x320x15
	RBA.401 x2	424x293x15		RBA.506	1850x298x15
	RBA.901 x2	718x100x15		RBA.601	436x1859x2,5
	RBA.902 x2	750x60x18		RBA.602	291x1859x2,5
	RBA.801 x8	278x283x5		RBA.701	450x1815x15
2/4	RBA.101	1850x320x15	RBA.903	1821x60x16	
	RBA.102	1850x320x15	4/4	RBA.105 x2	265x384x15
	RBA.501	1850x298x15		RBA.204x2	1500x384,5x15
	RBA.601	436x1859x2,5		RBA.303	1398x160x15
	RBA.602	291x1859x2,5		RBA.305	494x357x15
	RBA.701	450x1815x15		RBA.503 x2	265x362x15
	RBA.903	1821x60x16		RBA.606	490x274x2,5
				RBA.706	496x230x15
		RBA.905		1400x160x15	
		RBA.906	1400x60x16		
		RBA.912	1500x60x18		



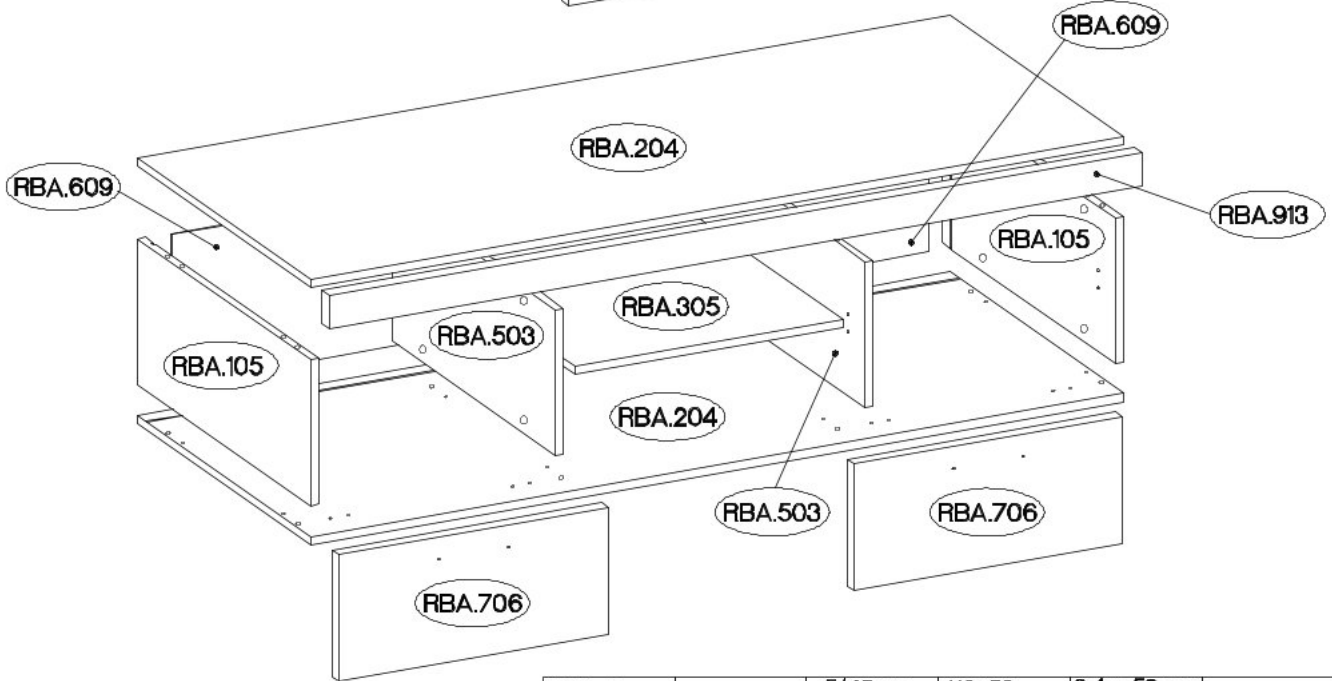
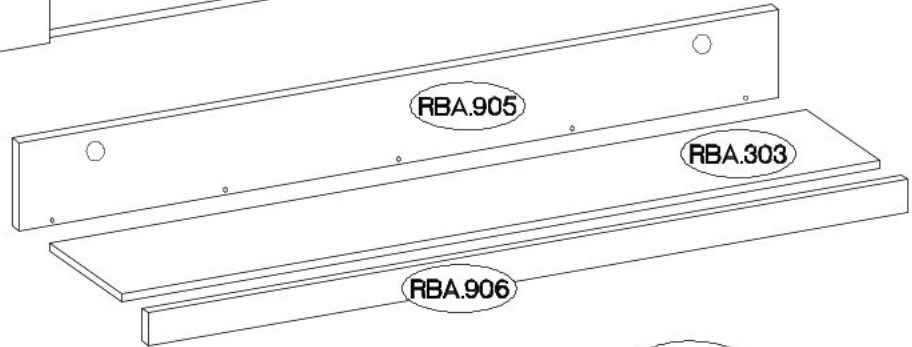
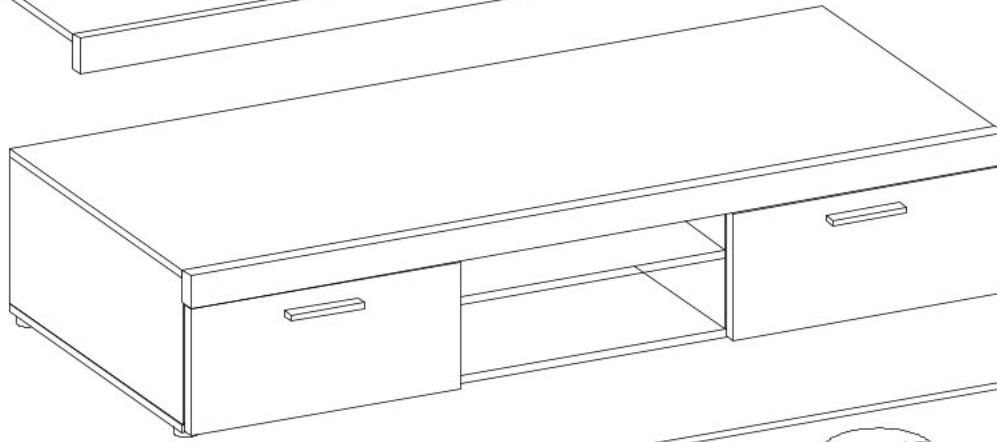
ISM-RXL-01



RBA.303 = max. 2kg

RBA.204 = max. 15kg





RBA.305

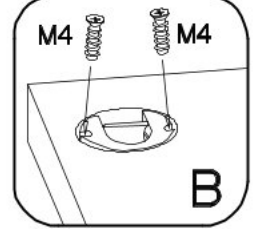
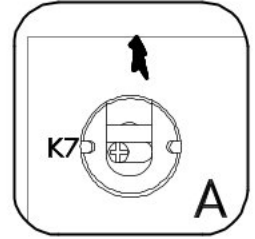
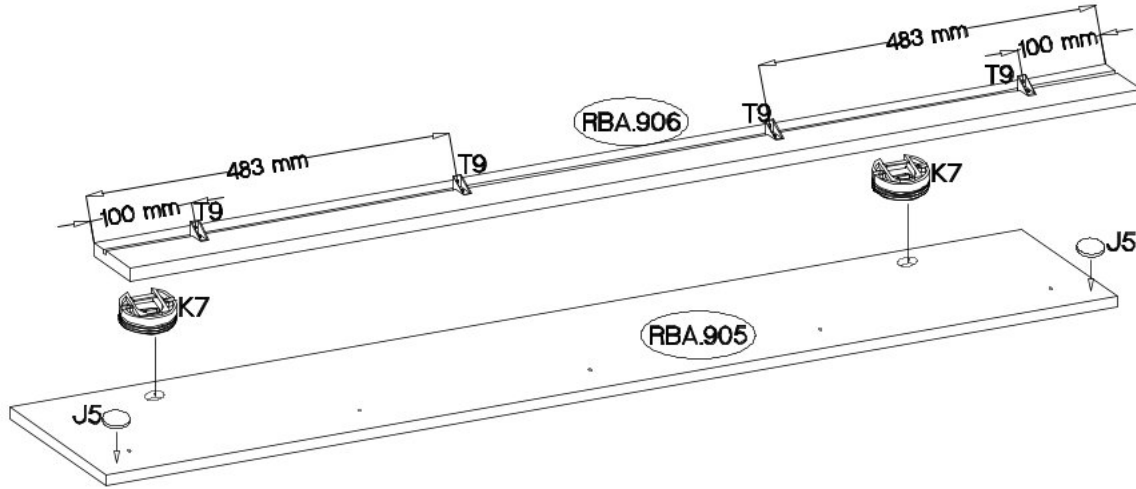
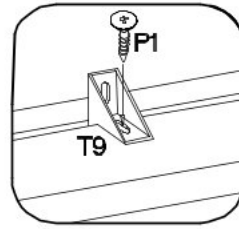


1B:


		+6,3x9mm M4 4	 K7 2	5/45mm O3 2	+10x50mm O7 2	6,4 x 50mm B 5	 O 1	+7/2mm J5 2	
		 J1 4	+3.0x20mm P7 4	 K13 2	+3.0x16mm P11 6	+4.0x16mm P1 18	 T9 9	 E 16	+4.0x25mm P14 6
L=20mm D2 16	+15/12mm C 16	+8x30mm A 16	 L 10	L=128mm S1 2	+4.0x30mm R2 4	+35/0mm G 4	 H 4	+3.5x13mm P5 14	 F10 6

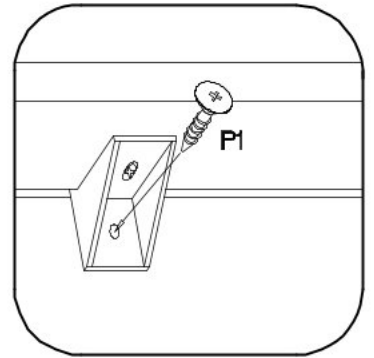
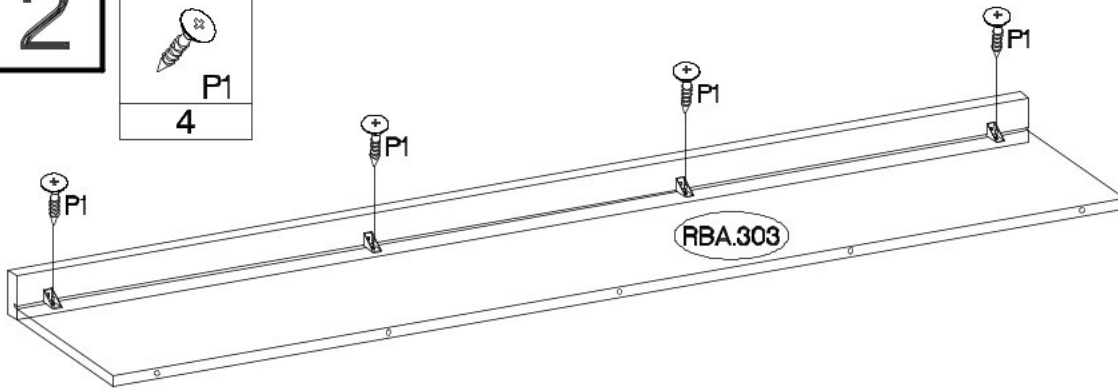
1

+6,3x9mm		+7/2mm		+4.0x16mm		
M4	K7	J5	P1	T9		
4	2	2	4	4		





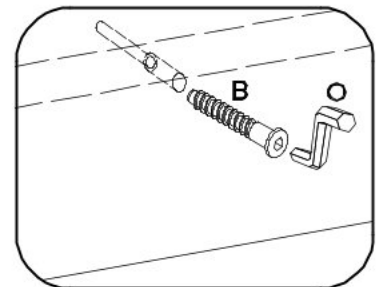
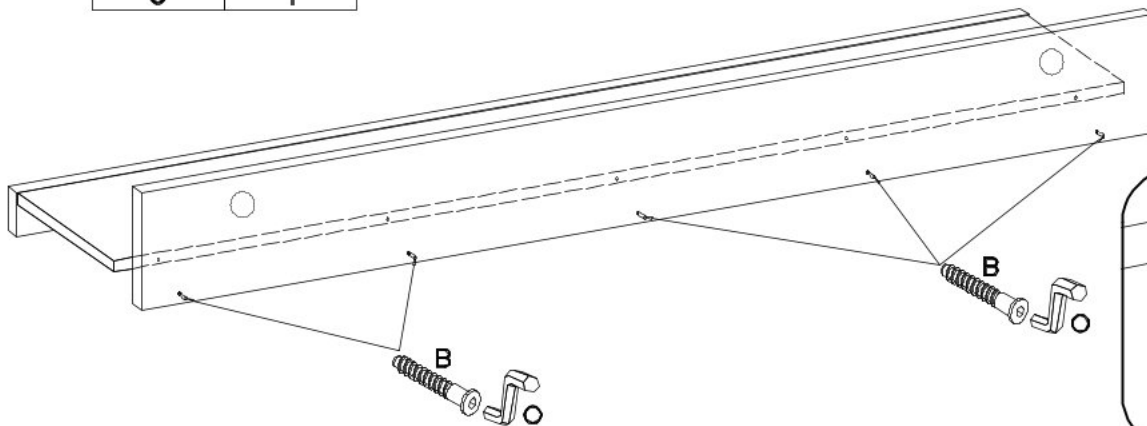
2

+4.0x16mm	
P1	
4	

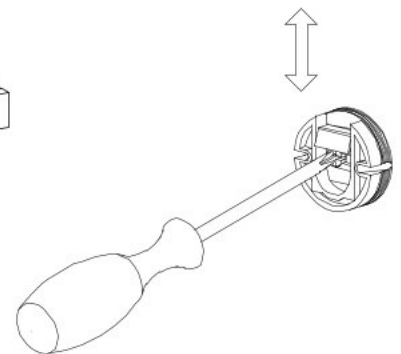
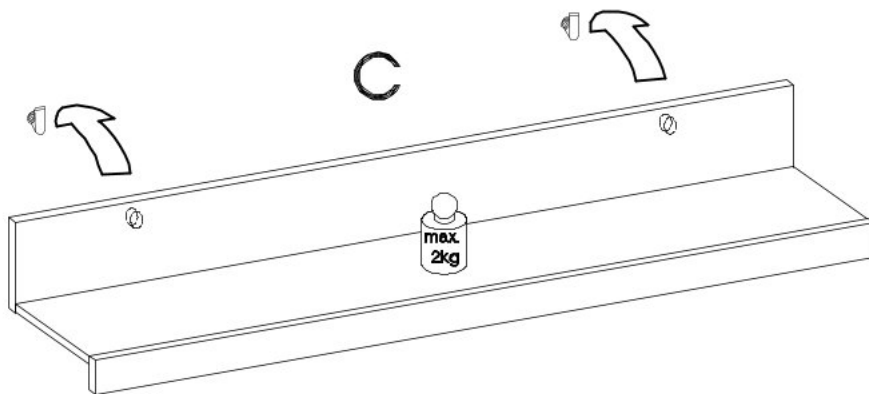
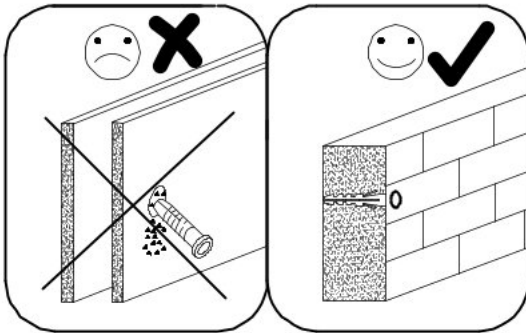
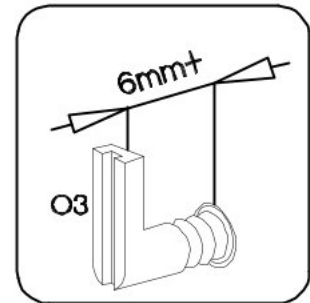
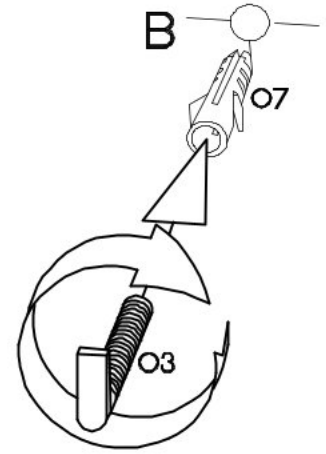
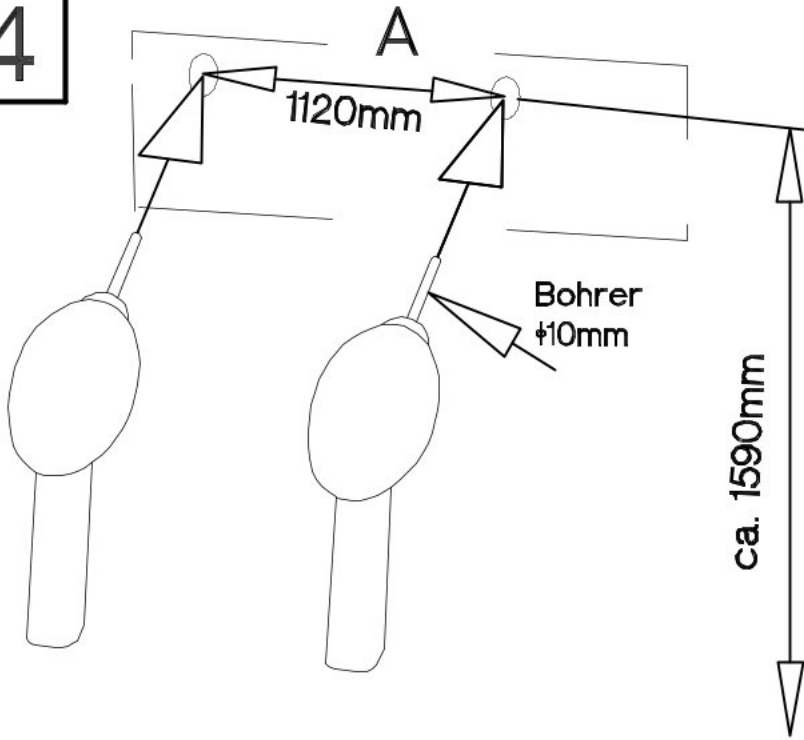




3

6,4 x 50mm		
B	O	
5	1	







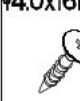


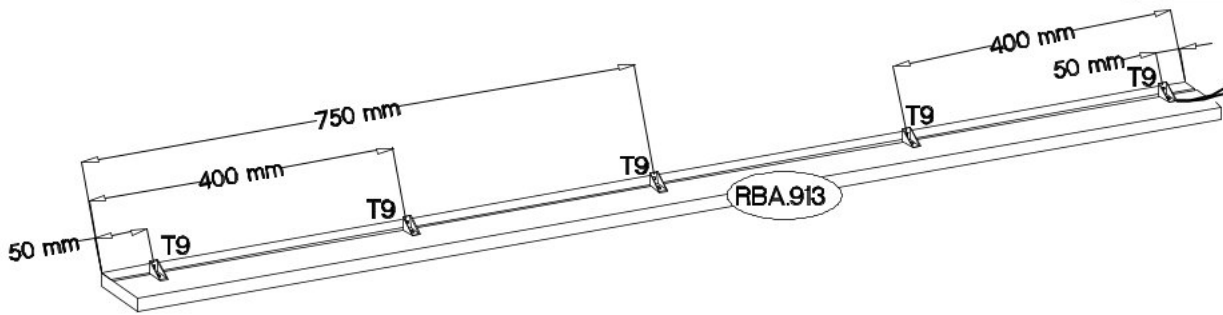
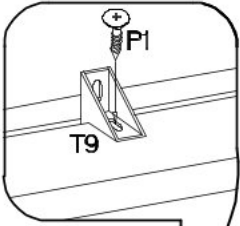
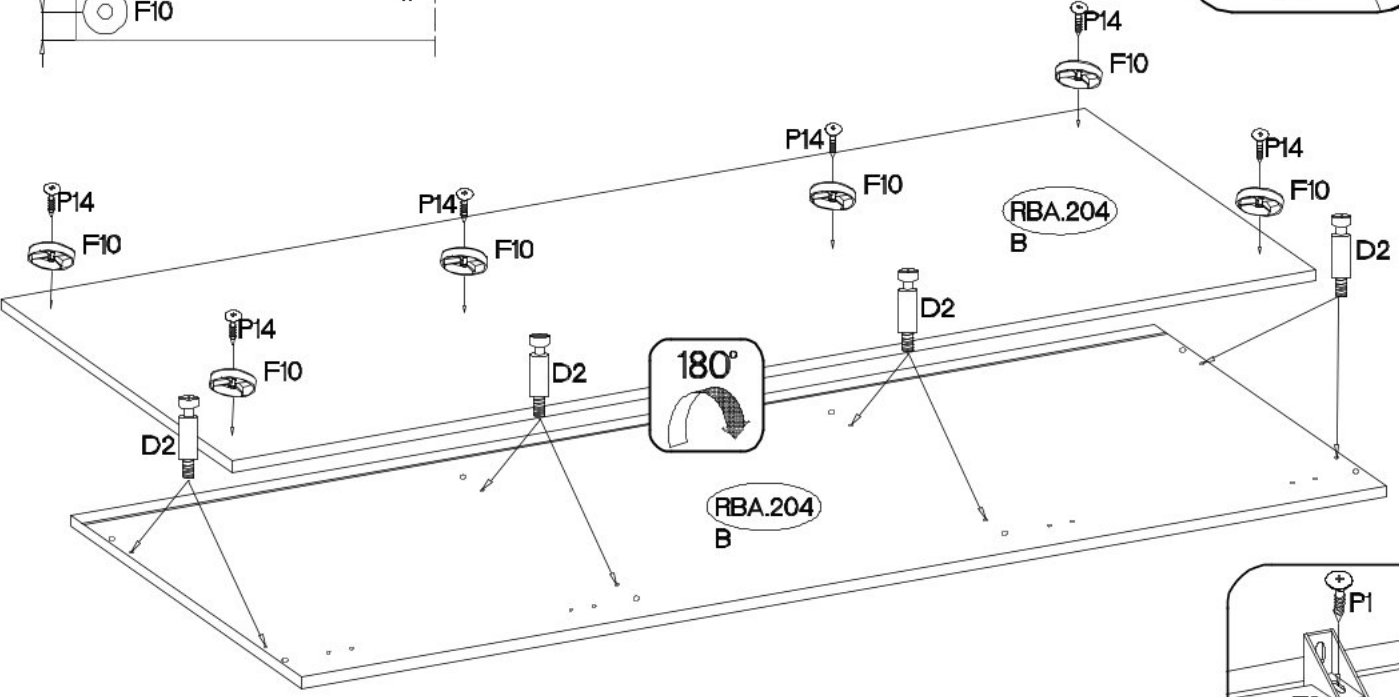
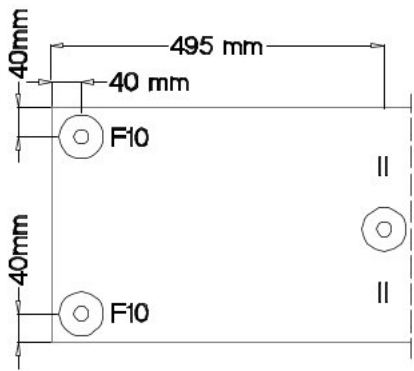
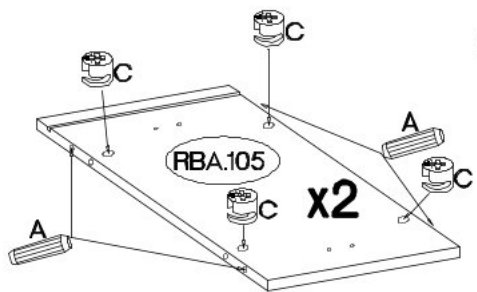
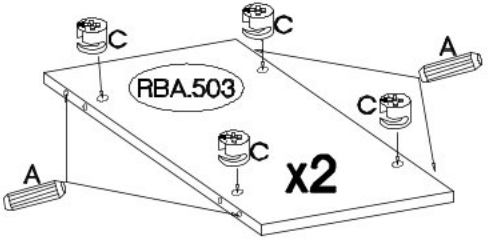
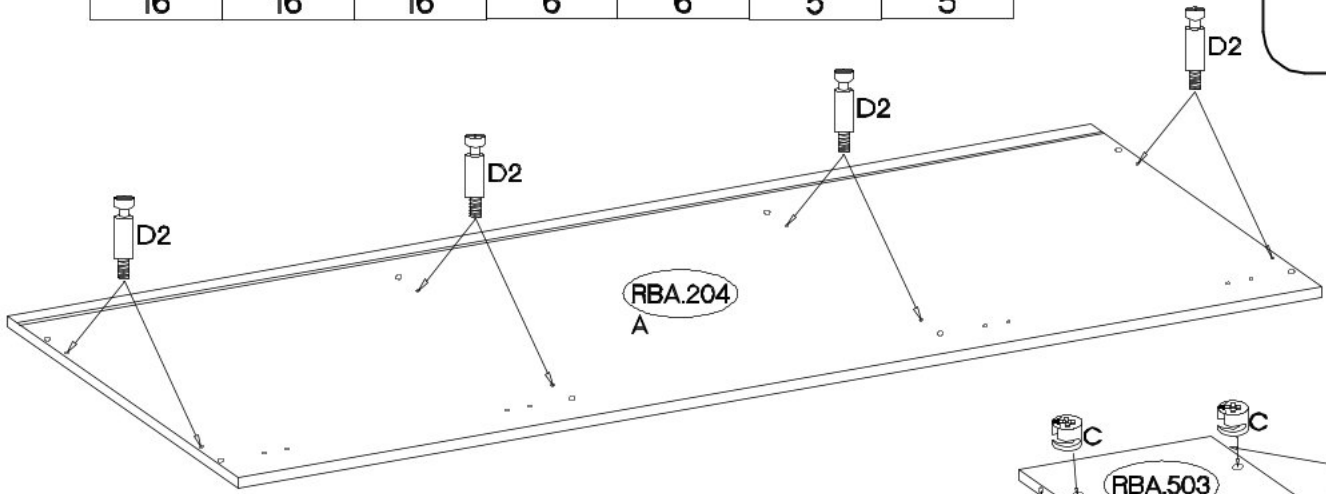
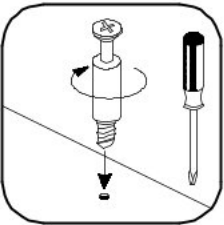
4



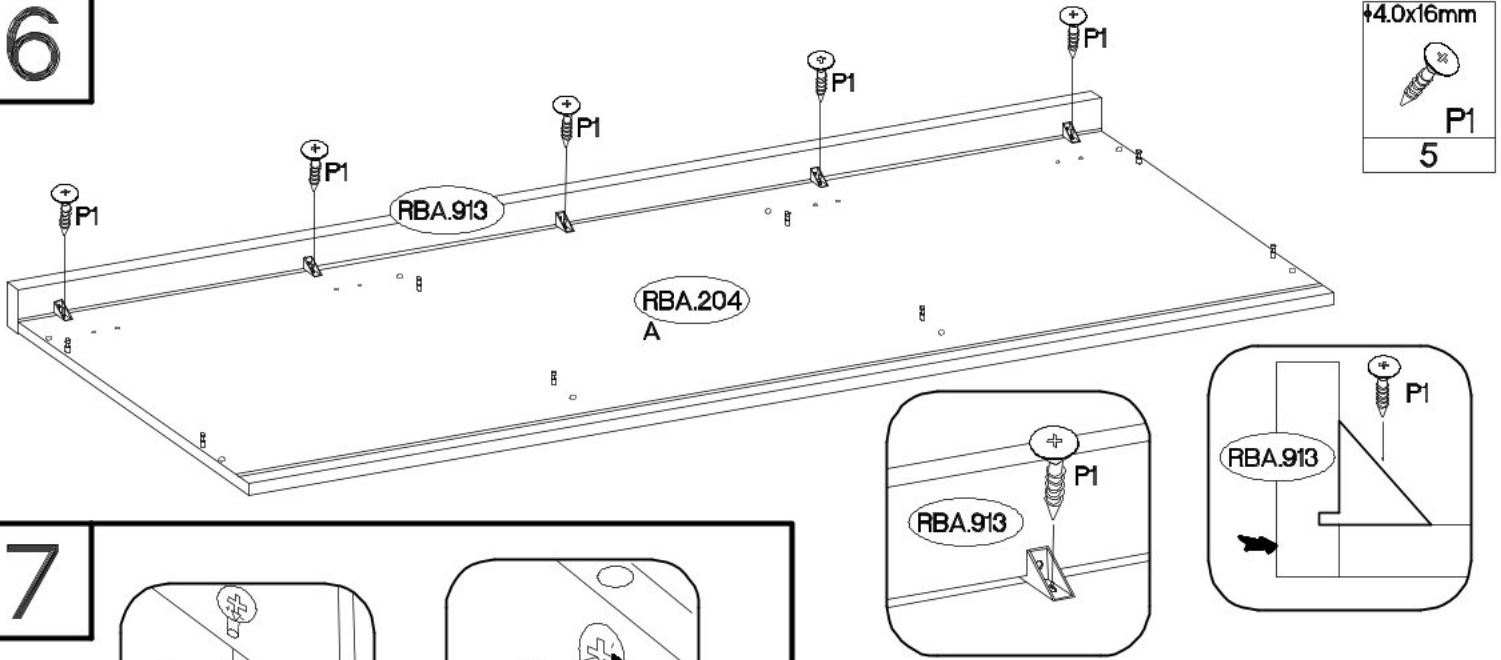
5/45mm	$\phi 10 \times 50\text{mm}$
	
O3	O7
2	2

5

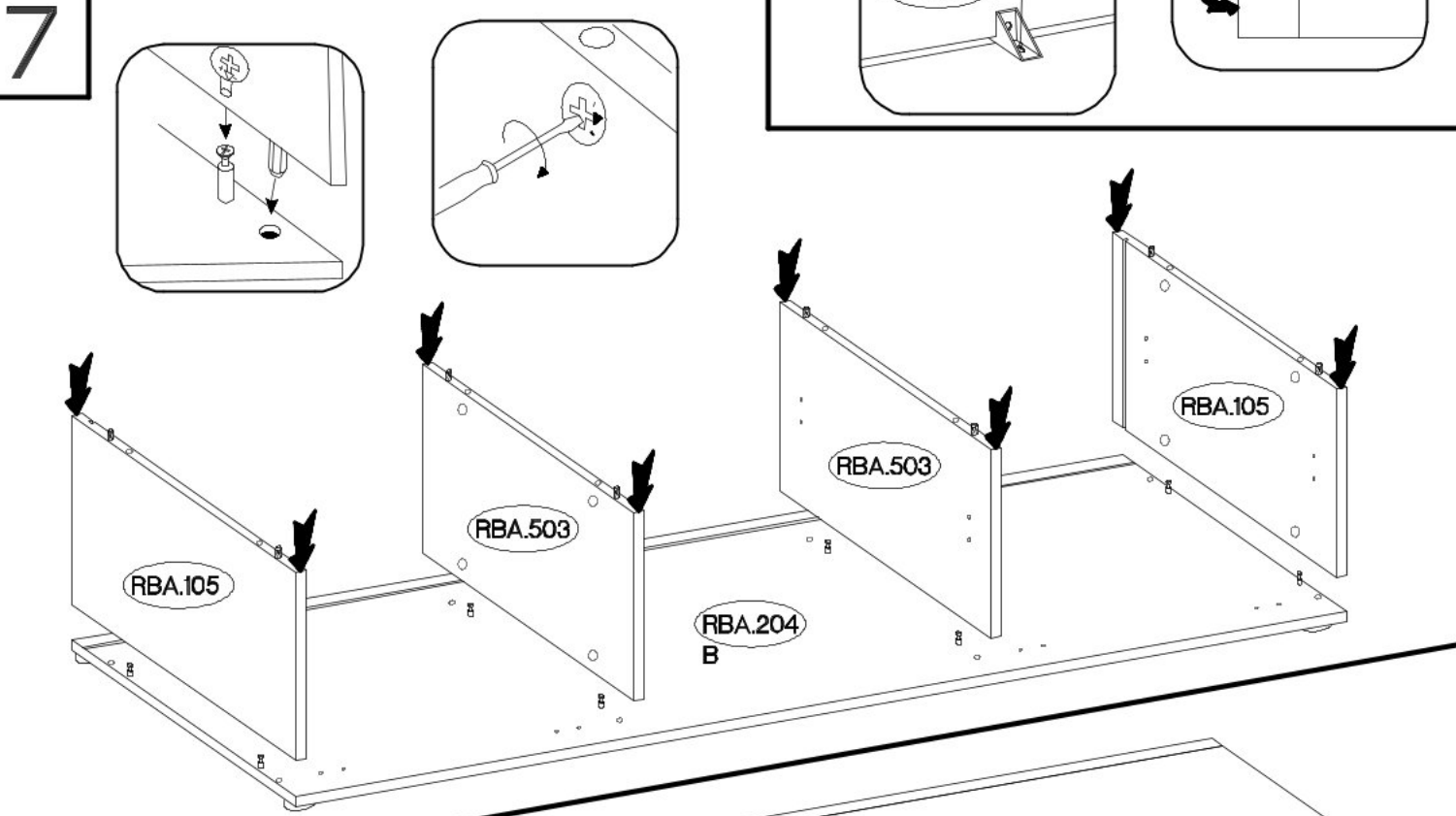
L-20mm  D2 16	±15/12mm  C 16	±8x30mm  A 16	 F10 6	±4.0x25mm  P14 6	 T9 5	±4.0x16mm  P1 5
--	---	--	--	---	---	---



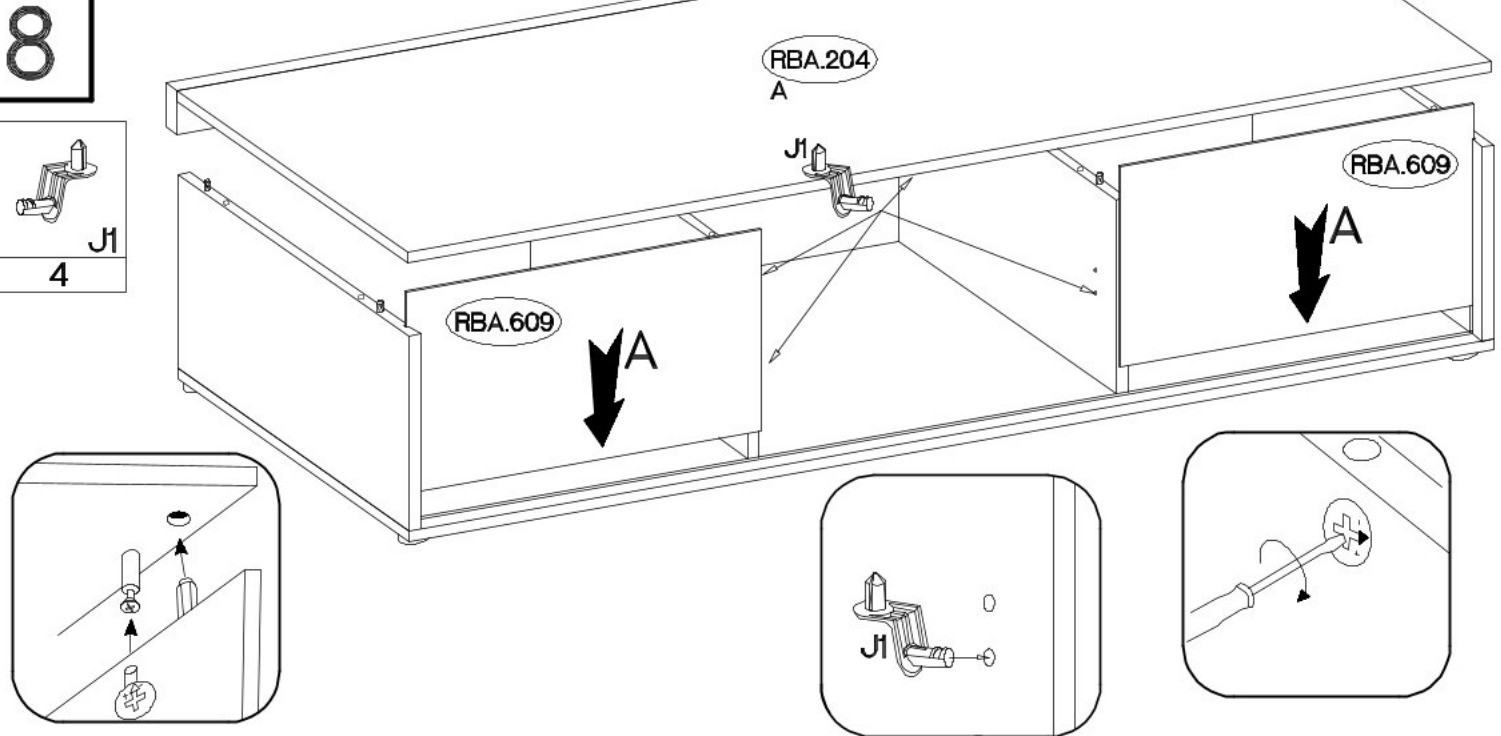
6



7

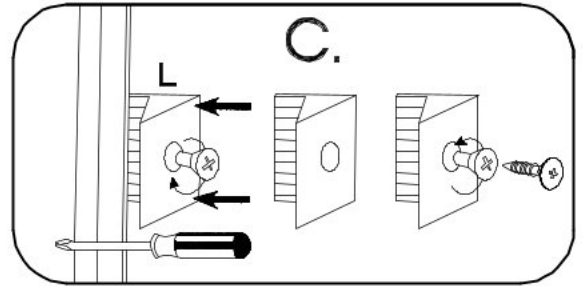
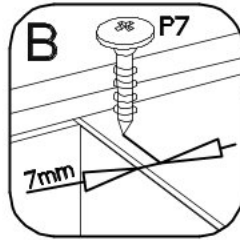
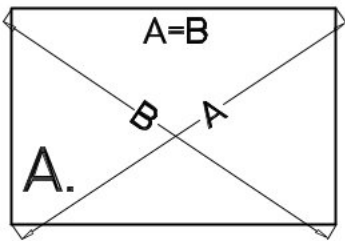
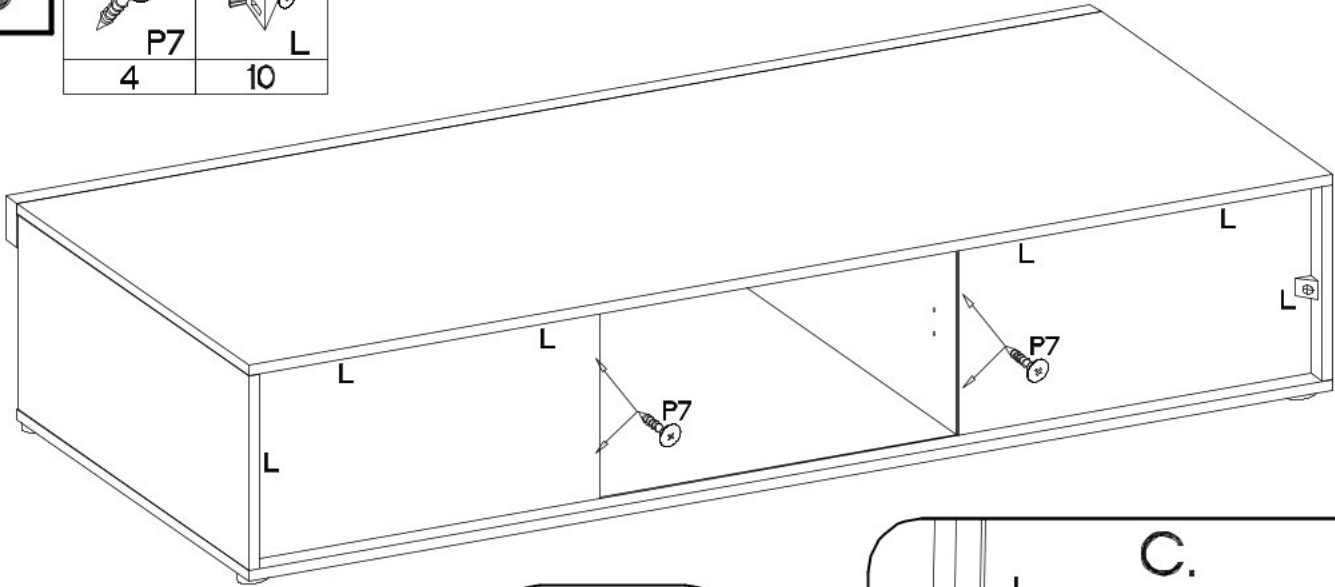


8



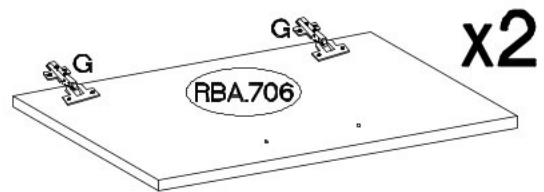
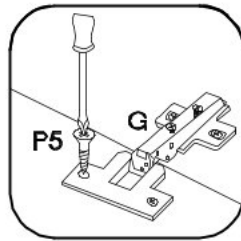
9

±3.0x20mm		
P7		L
4		10

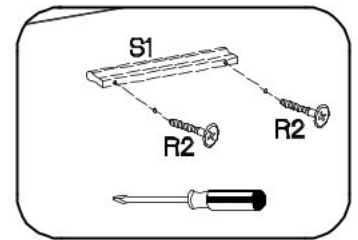
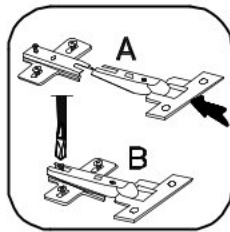


10

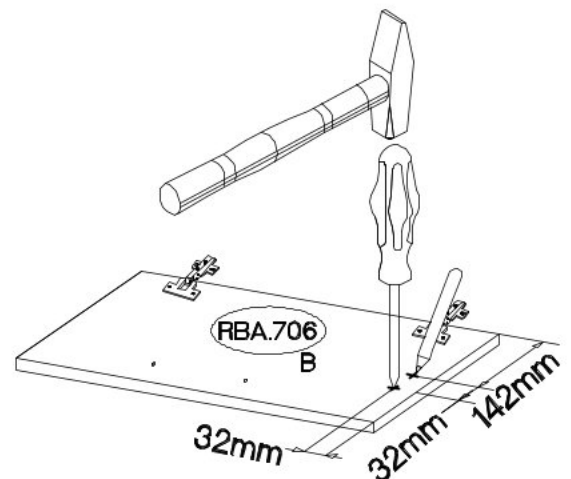
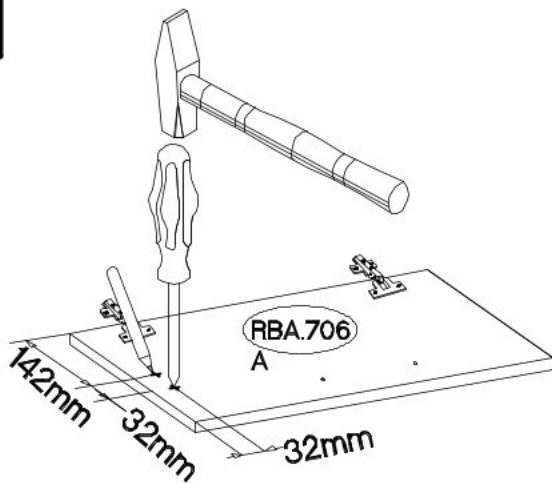
L=128mm	
S1	
2	

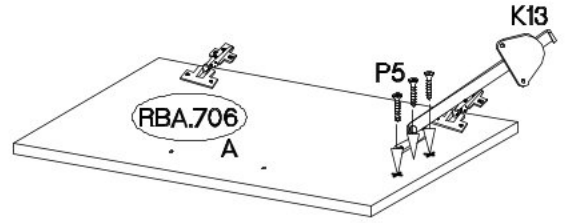
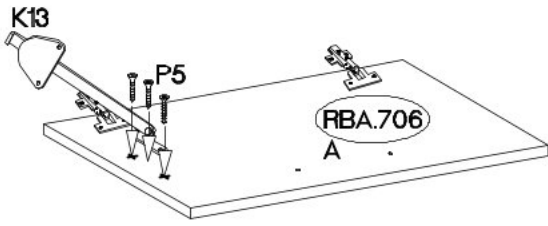
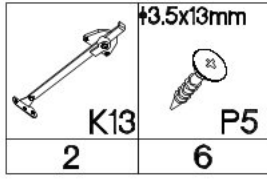
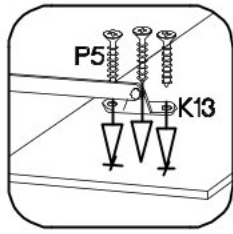


±35/0mm		
G	H	
4	4	
±3.5x13mm		
P5	R2	
8	4	

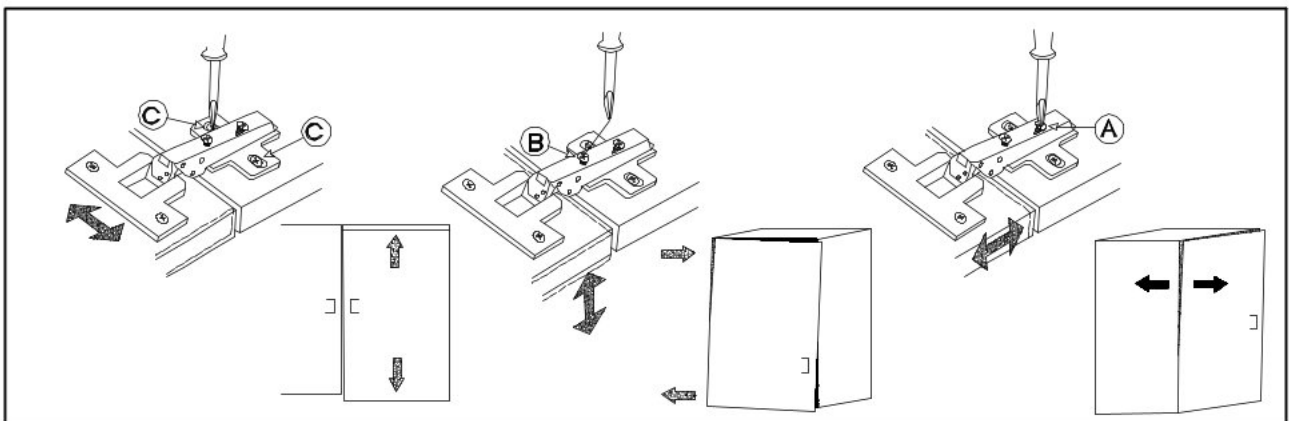
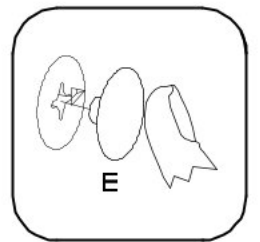
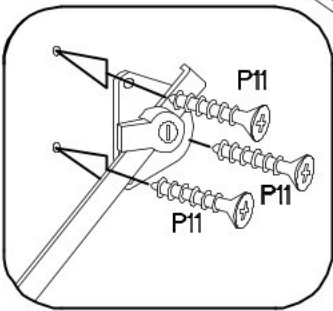
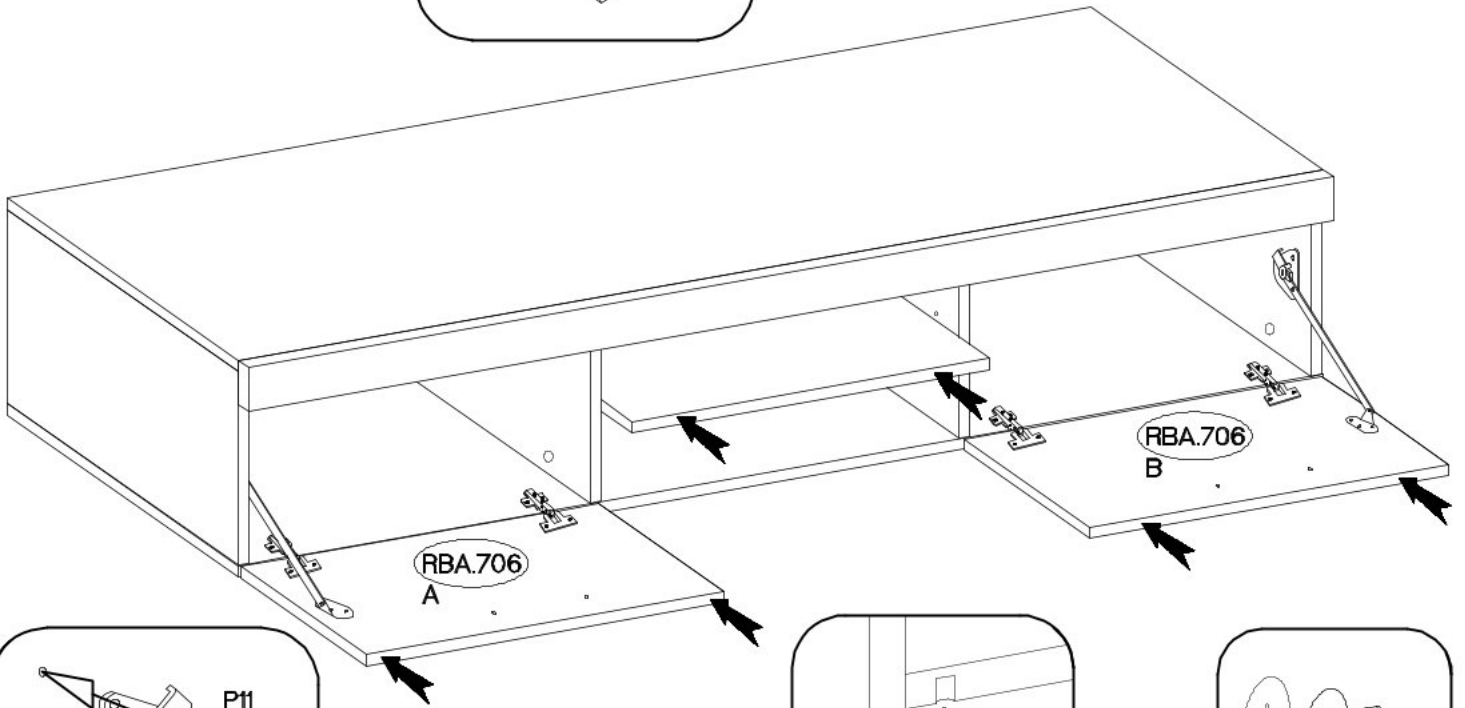
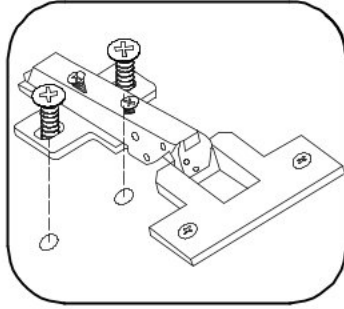
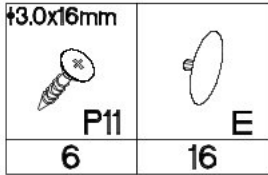


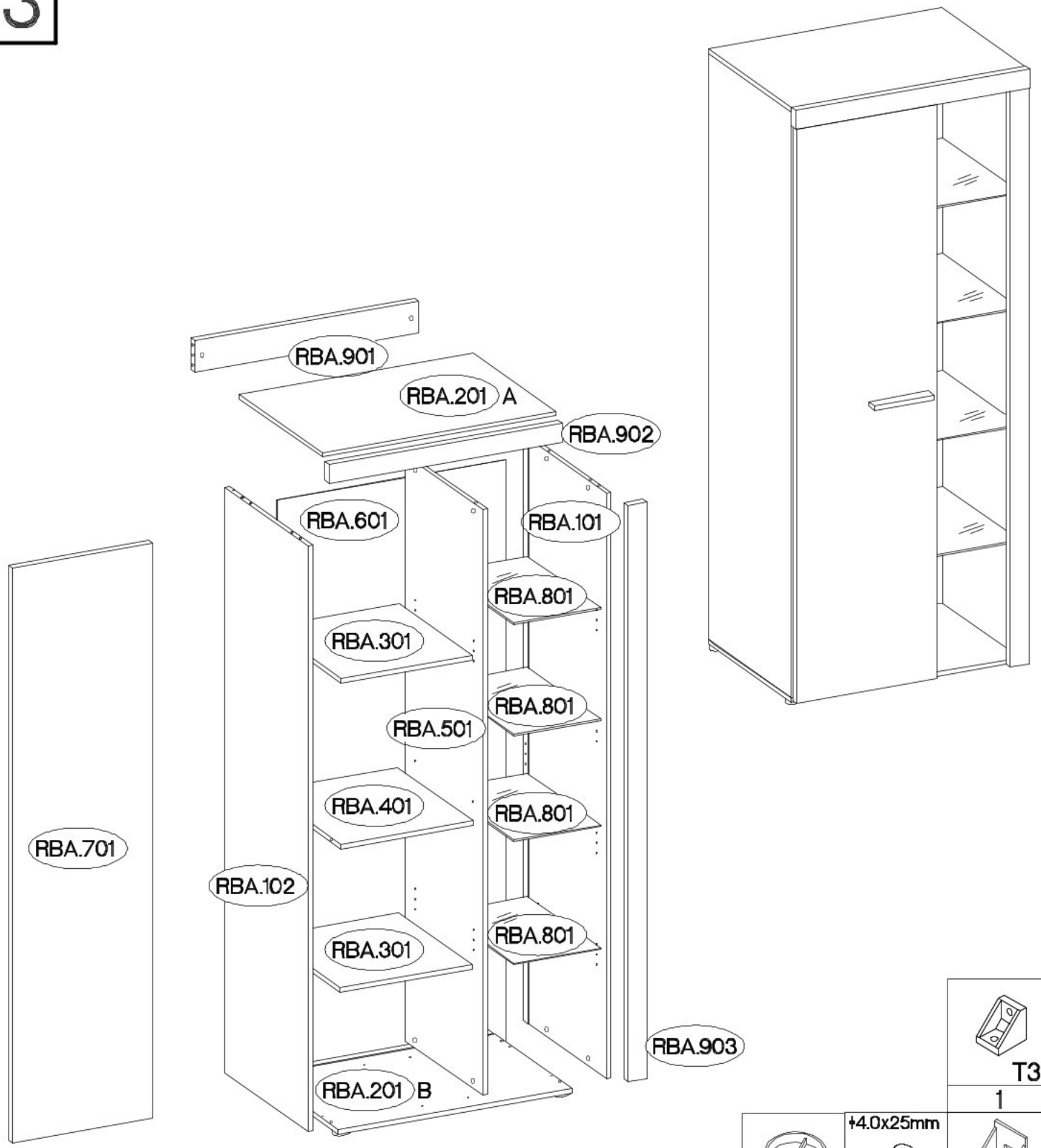
11





12





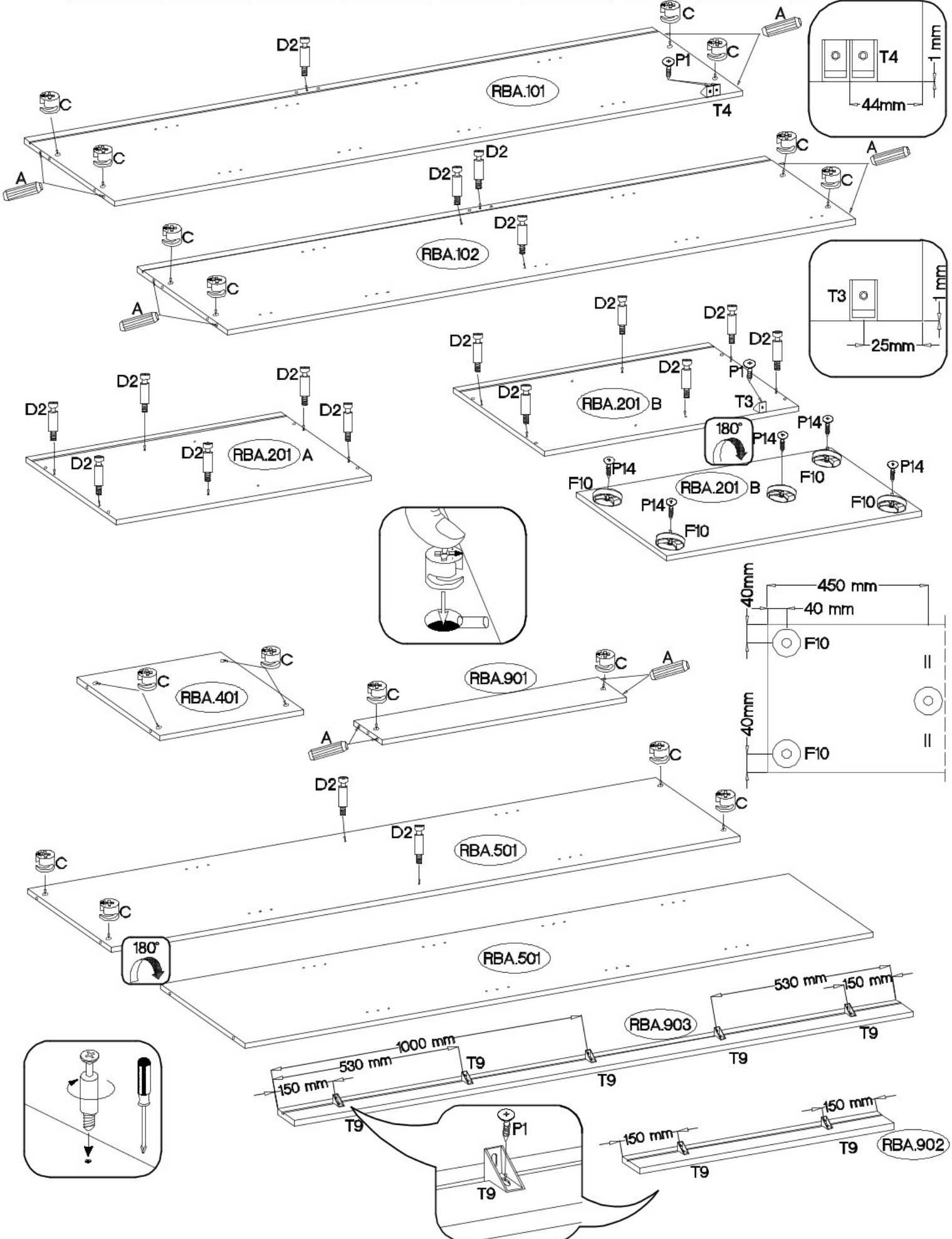
	T3
1	

	+4.0x25mm	
F10	P14	T9
5	5	7

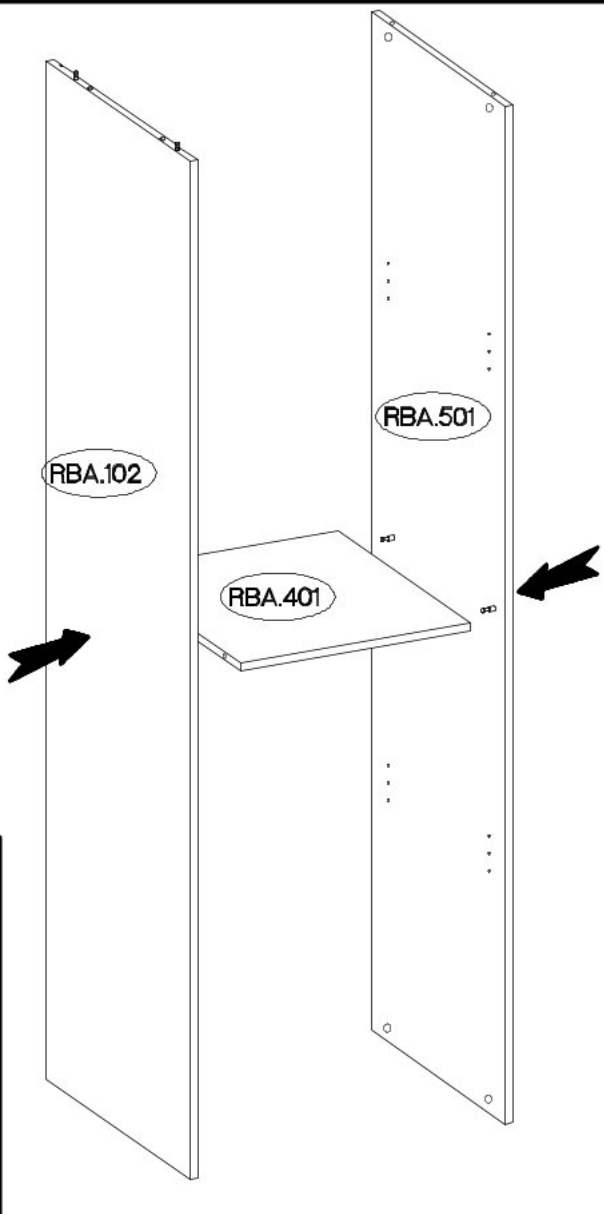
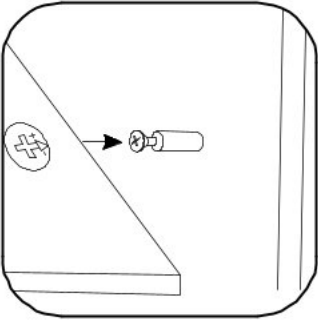
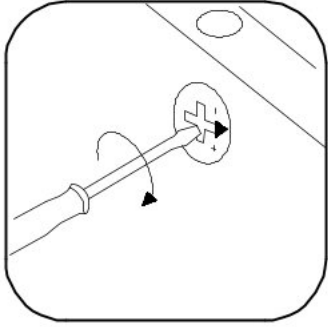
O7	L9	E	J12	P5	L2	P1	H	T4
1	1	16	16	7	10	20	3	1
R2	P7	D2	C	A	12	S1	J3	G
2	10	18	18	12	12	1	8	3

2B :

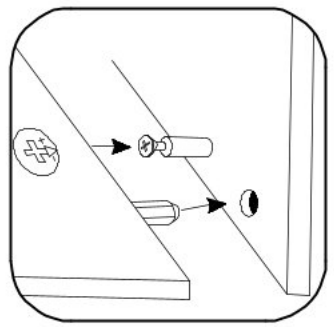
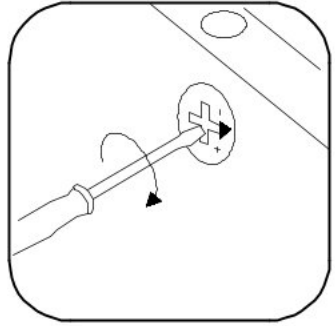
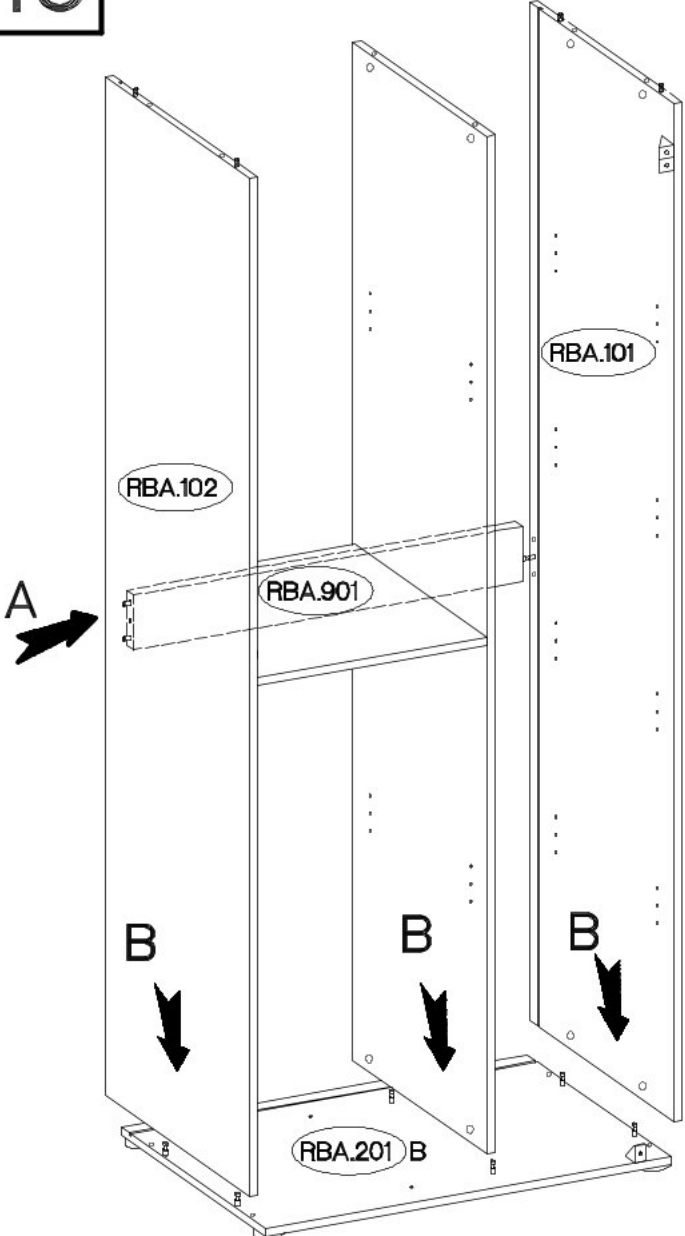
L=20mm 	±15/12mm 	±8x30mm 				±4.0x16mm 		±4.0x25mm
D2	C	A	T9	T4	T3	P1	F10	P14
18	18	12	7	1	1	10	5	5



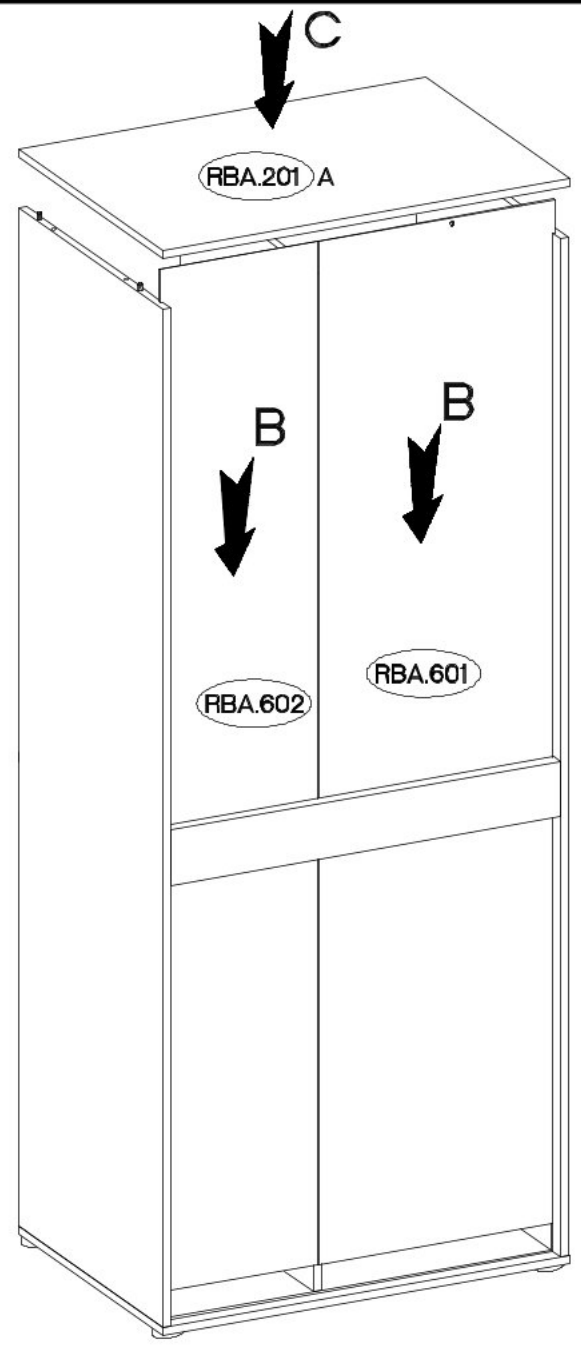
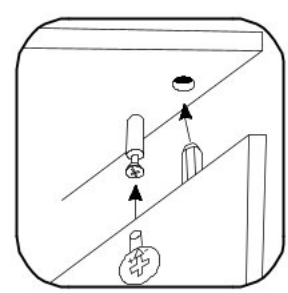
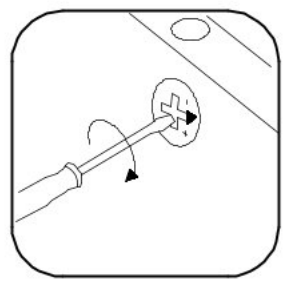
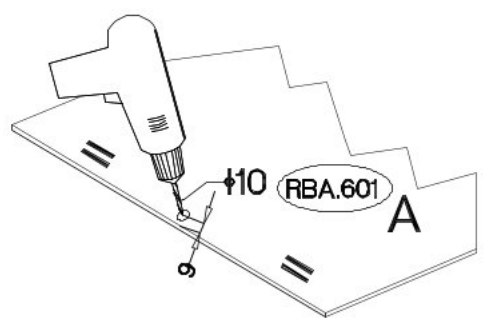
15



16

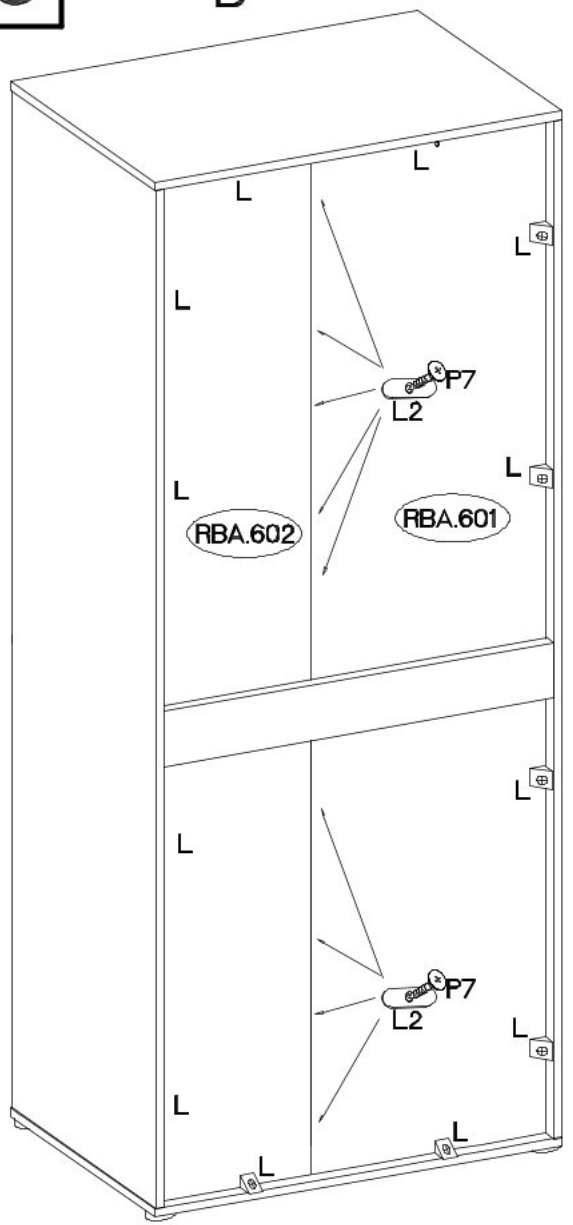


17



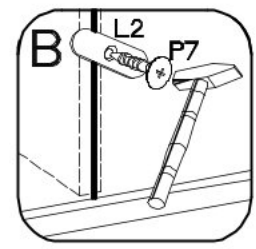
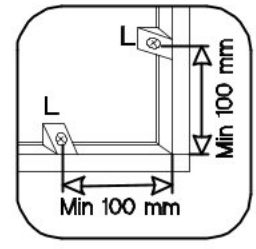
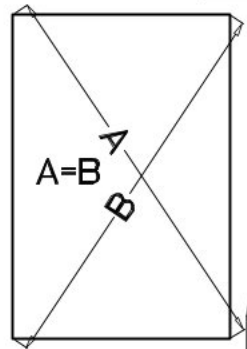
18

B

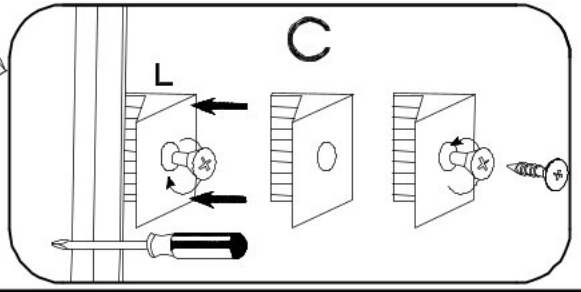


$\varnothing 3.0 \times 20 \text{ mm}$		
P7	L2	L
9	9	12


A

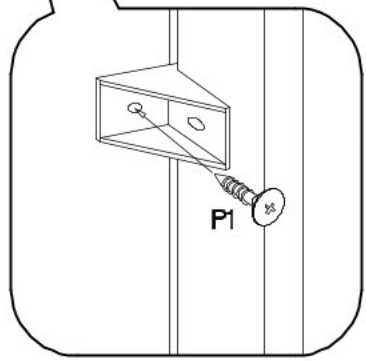
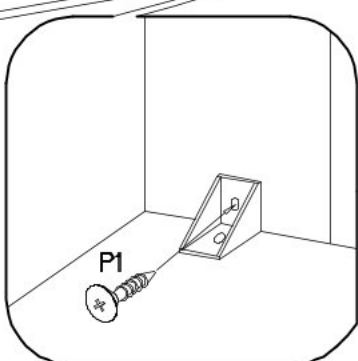
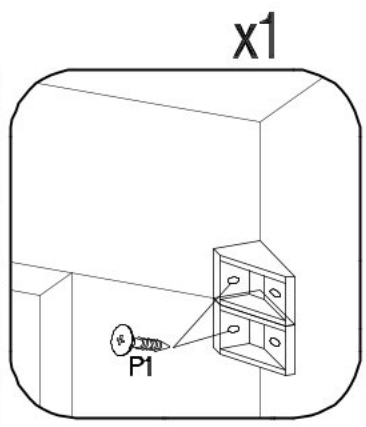
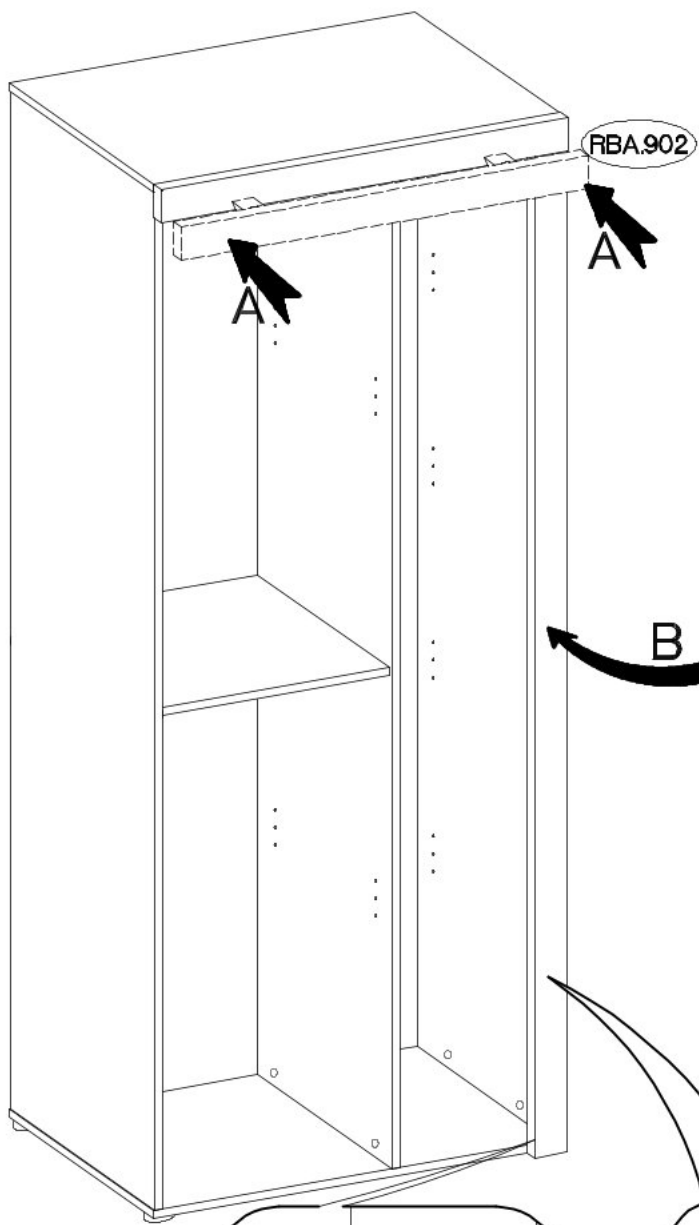


C






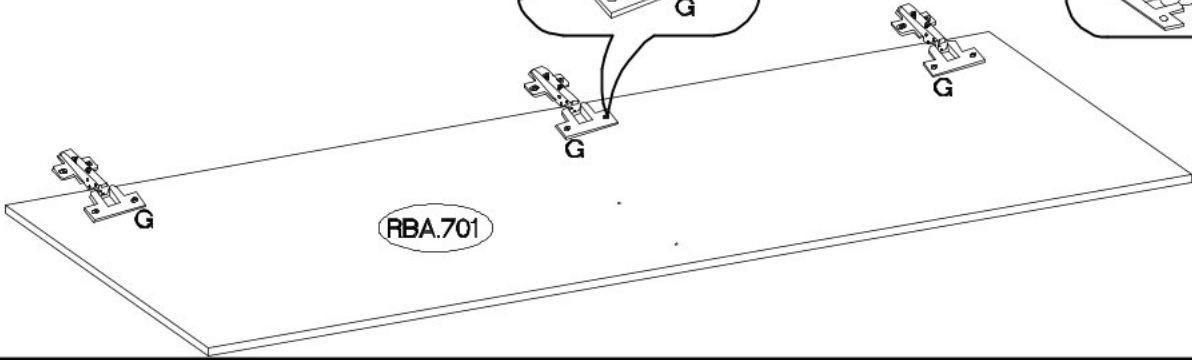
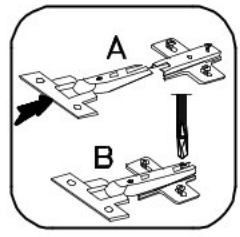
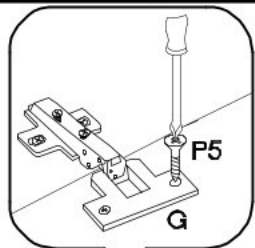
19

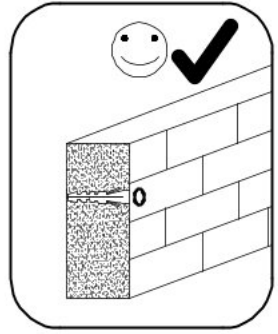
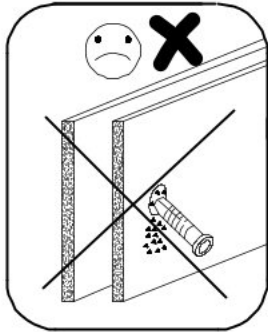
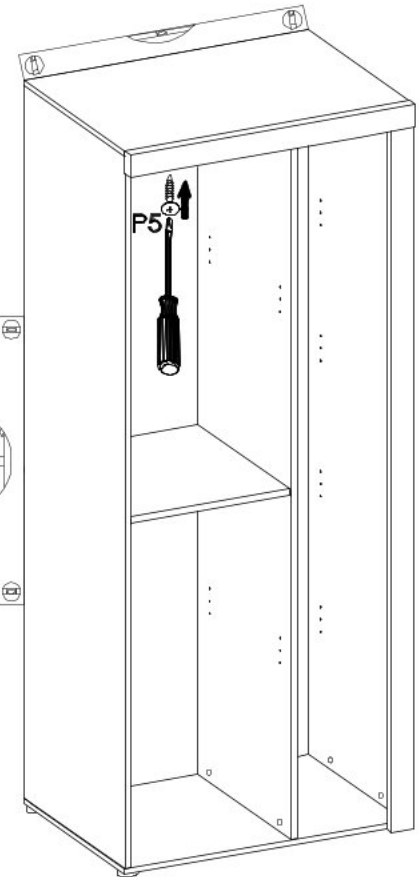
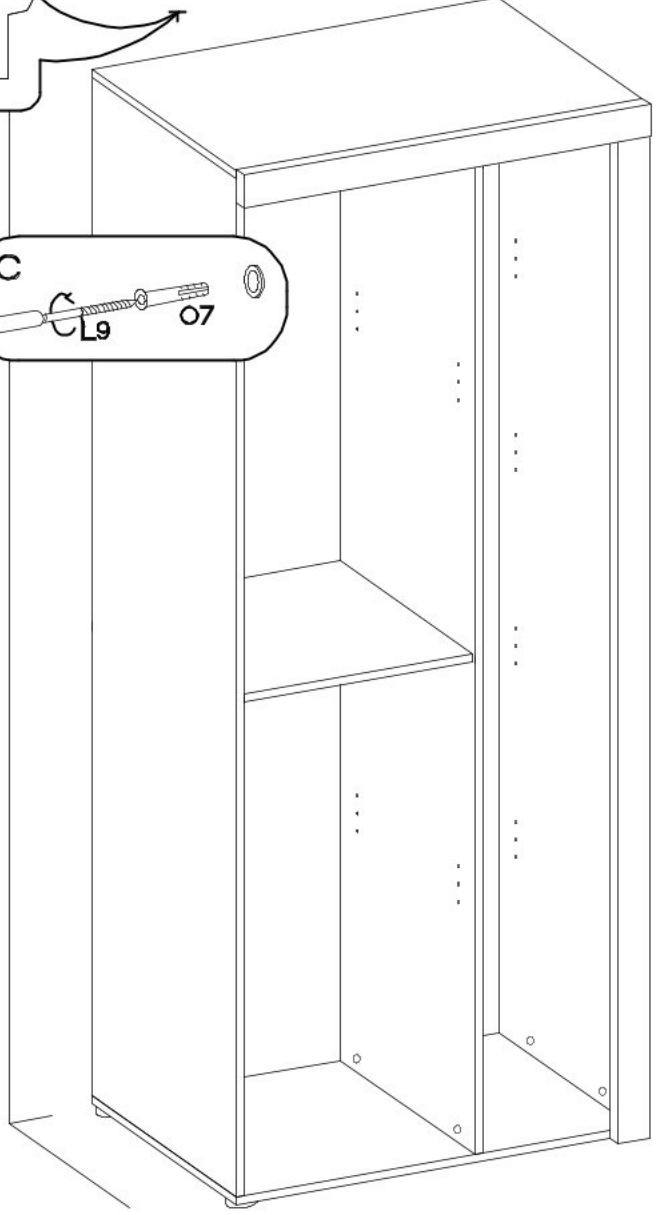
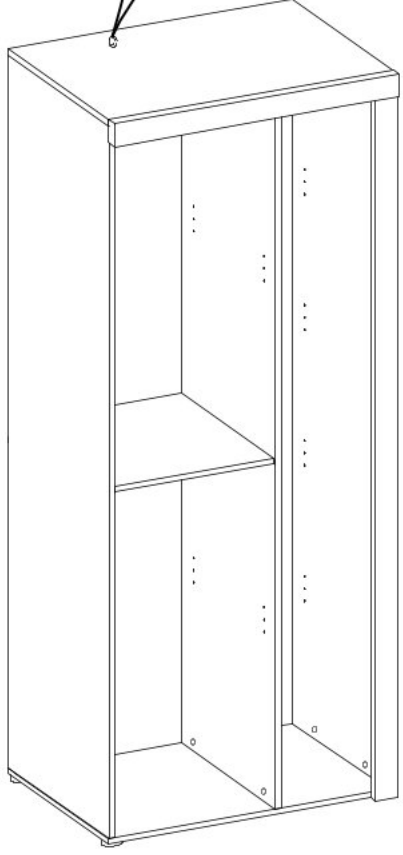
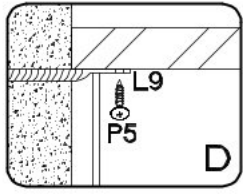
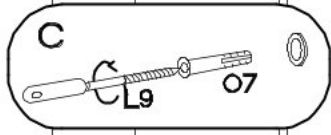
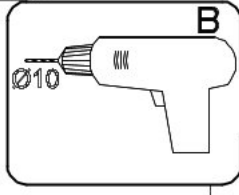
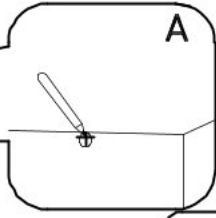
4.0x16mm

P1
10








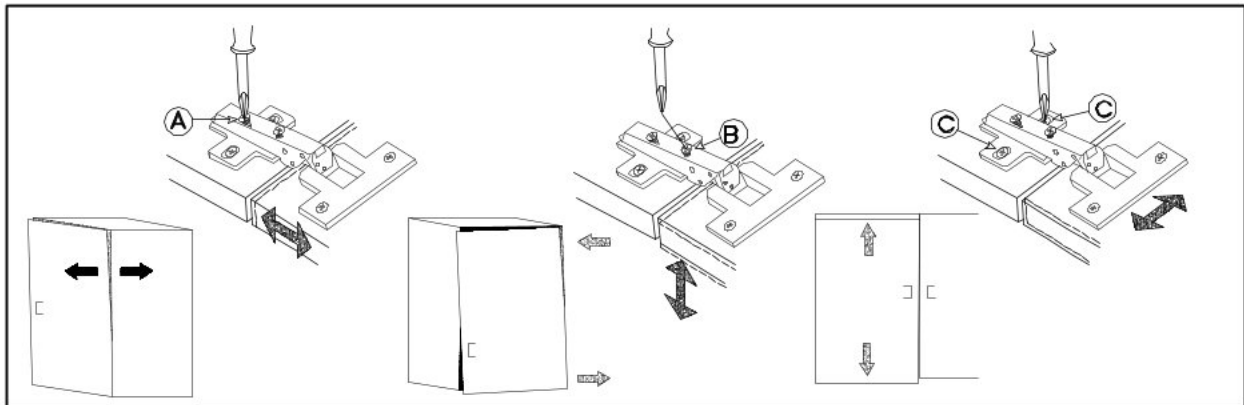
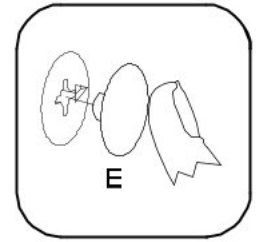
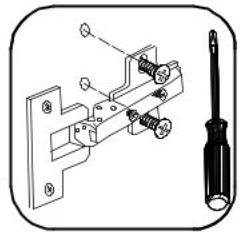
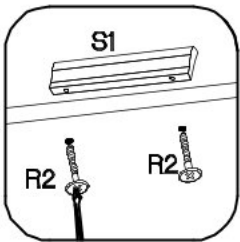
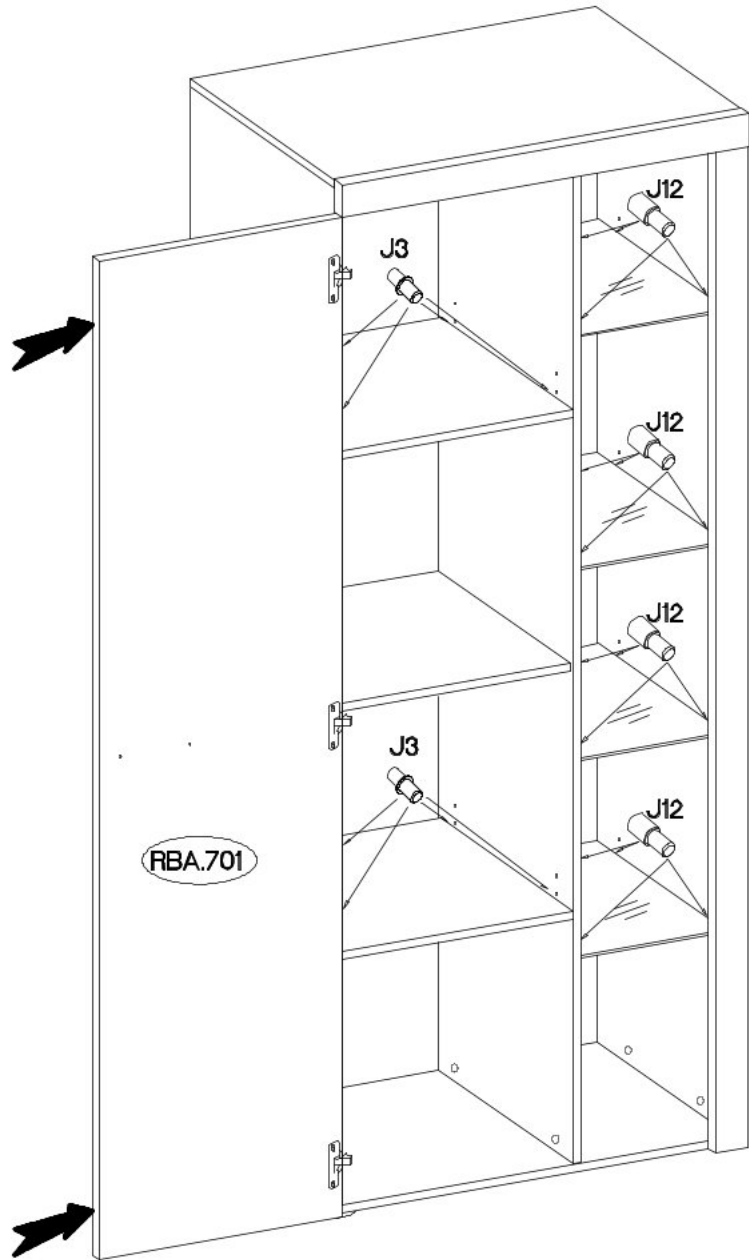
20

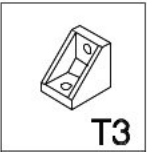
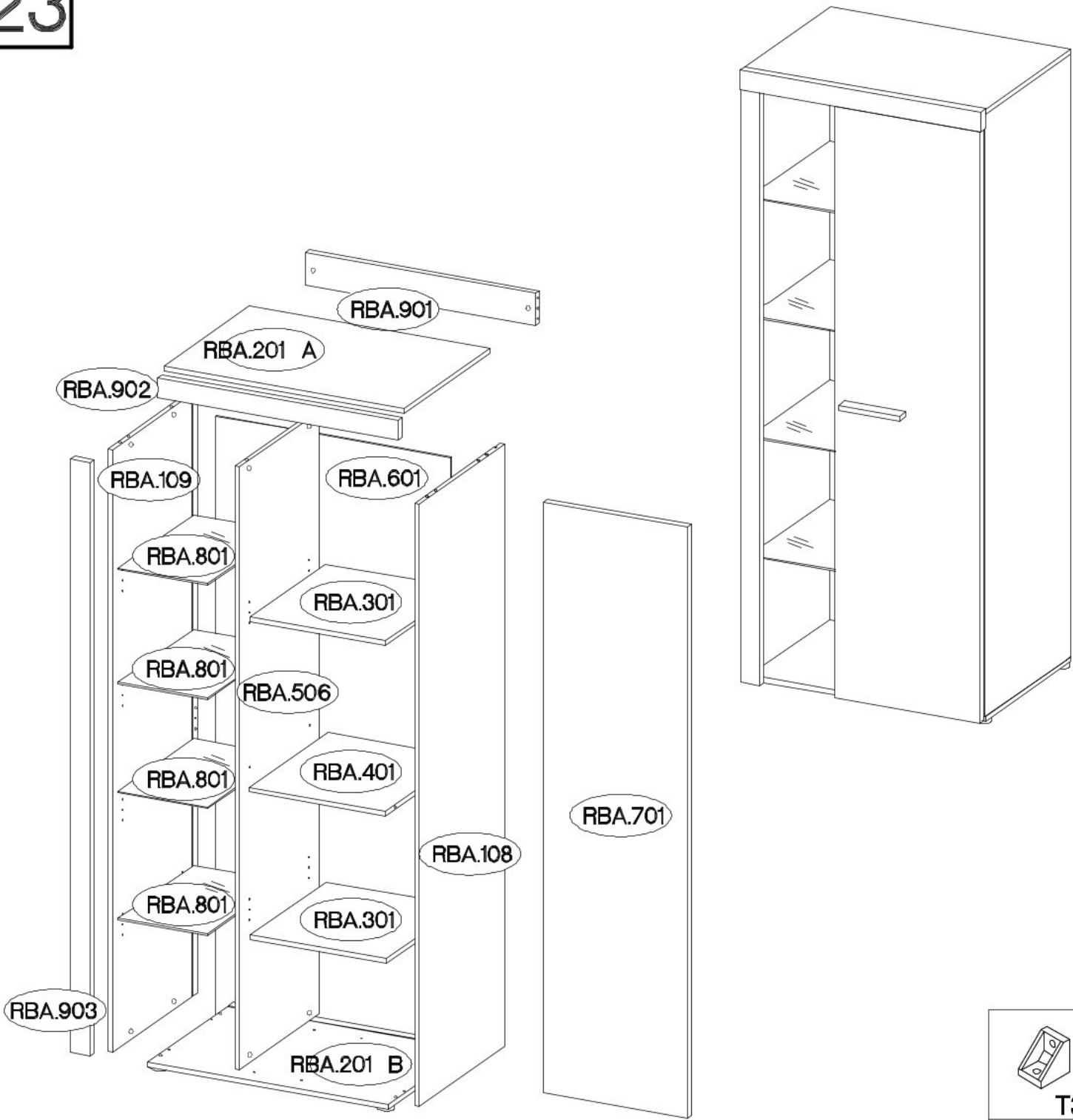
H=0	35/0mm	3.5x13mm
		
H	G	P5
3	3	6





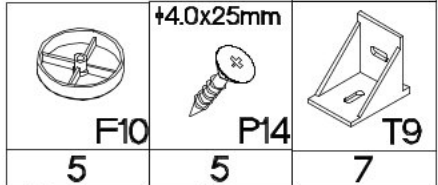
 <p>‡5/16mm J3</p>	 <p>E</p>	 <p>J12</p>	 <p>‡4.0x30mm R2</p>	 <p>L=128mm S1</p>
8	16	16	2	1





T3

1



+4.0x25mm

F10
















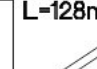
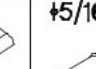
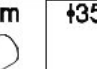
P14

T9

5

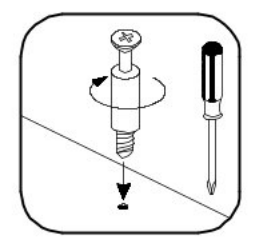
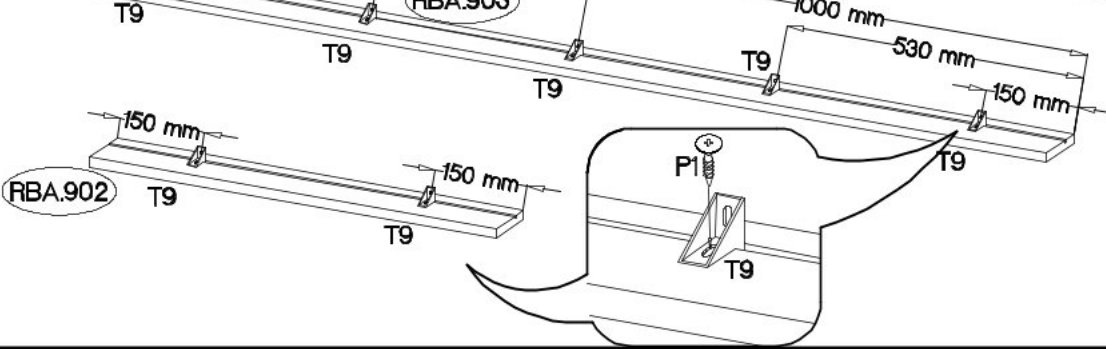
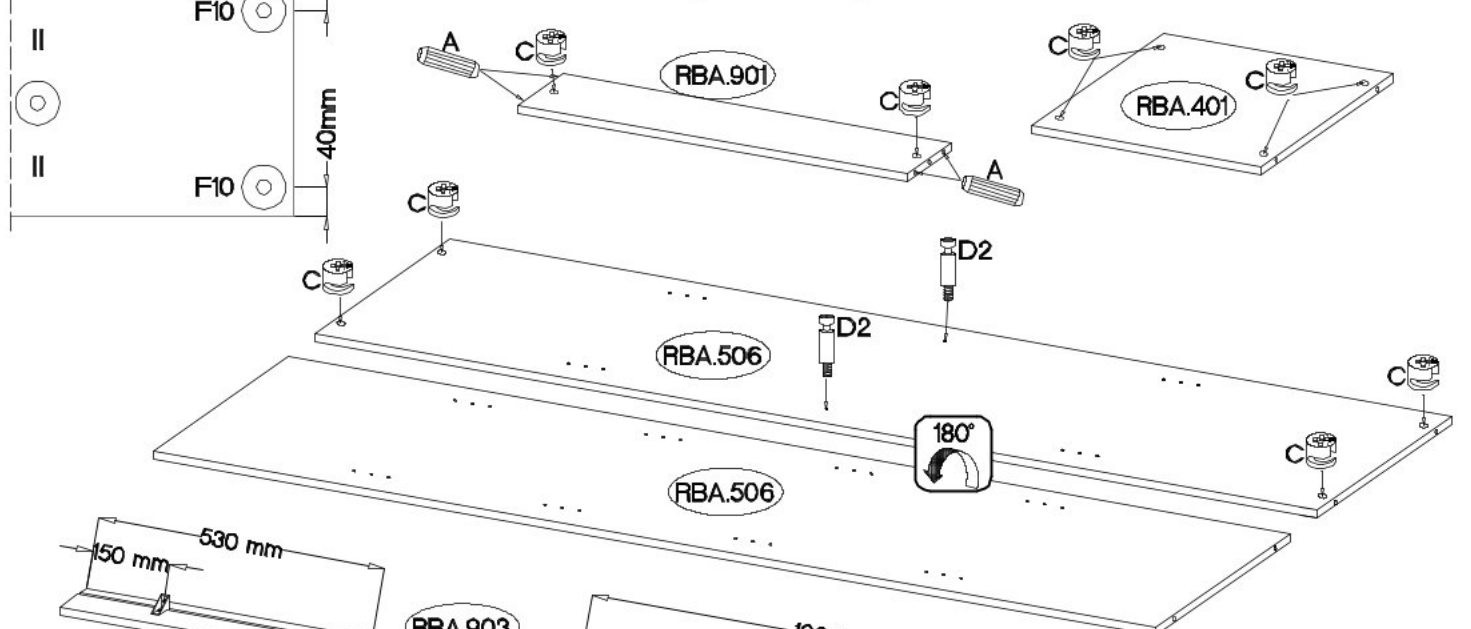
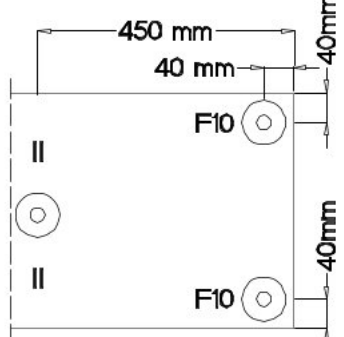
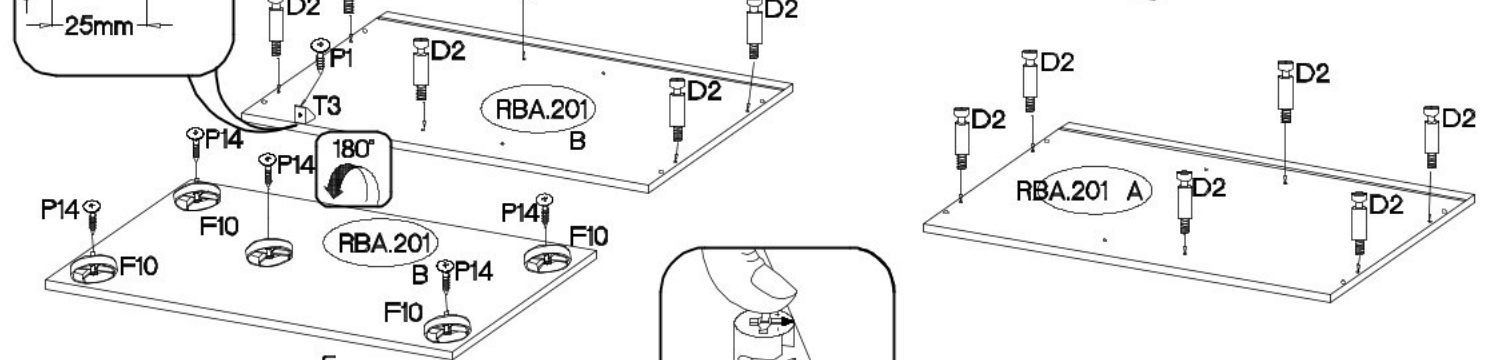
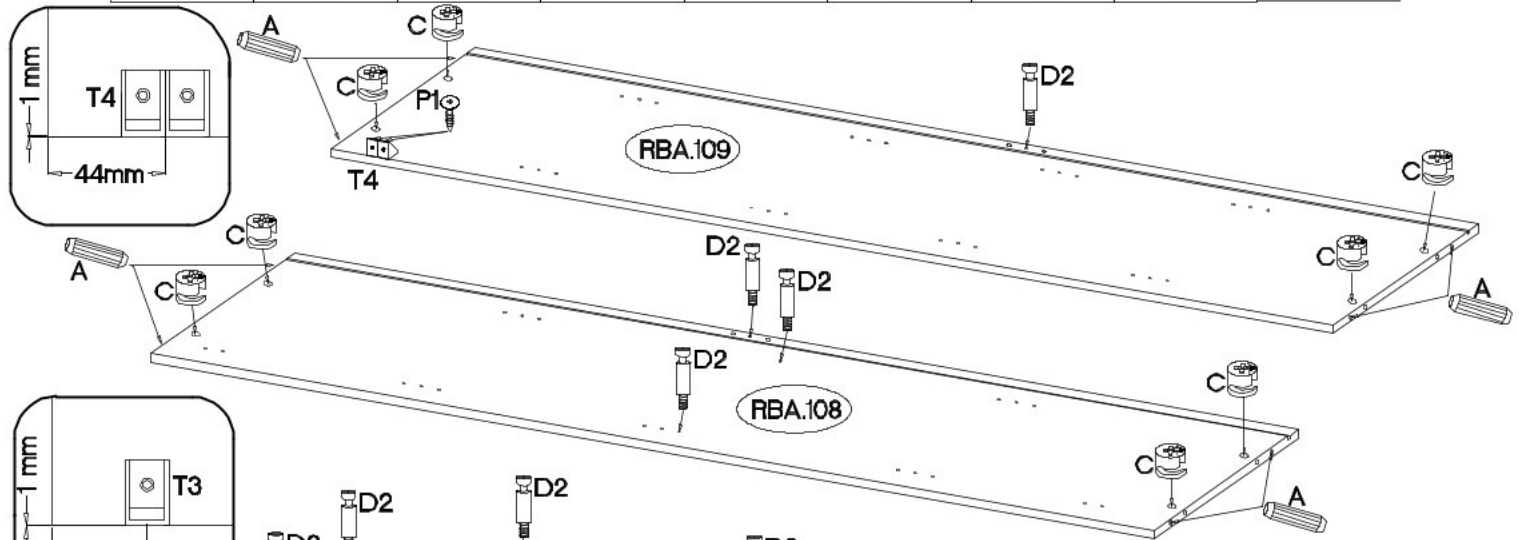
5

7

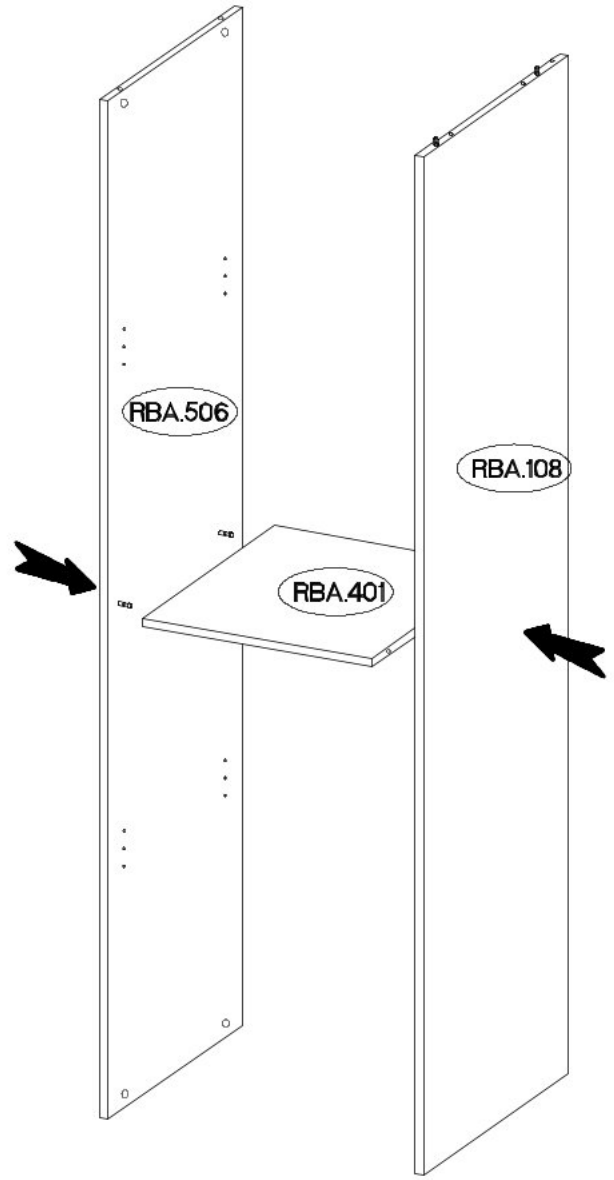
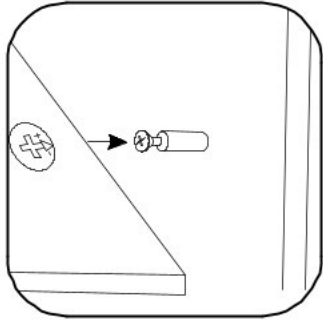
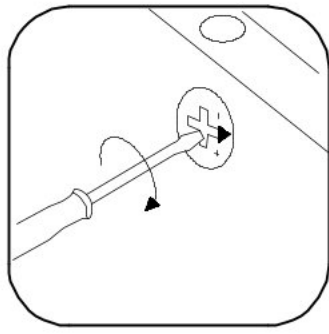
 O7	 L9	 E	 J12	 P5	 L2	 P1	 H	 T4
1	1	16	16	7	10	20	3	1
 R2	 P7	 D2	 C	 A	 12	 S1	 J3	 G
2	10	18	18	12	12	1	8	3

3B :

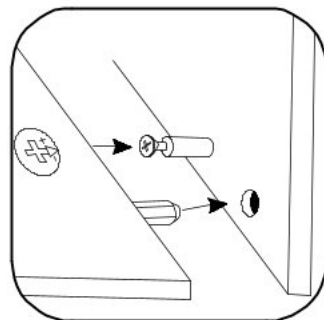
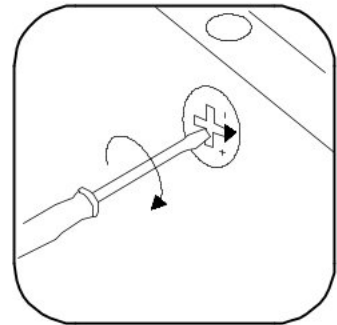
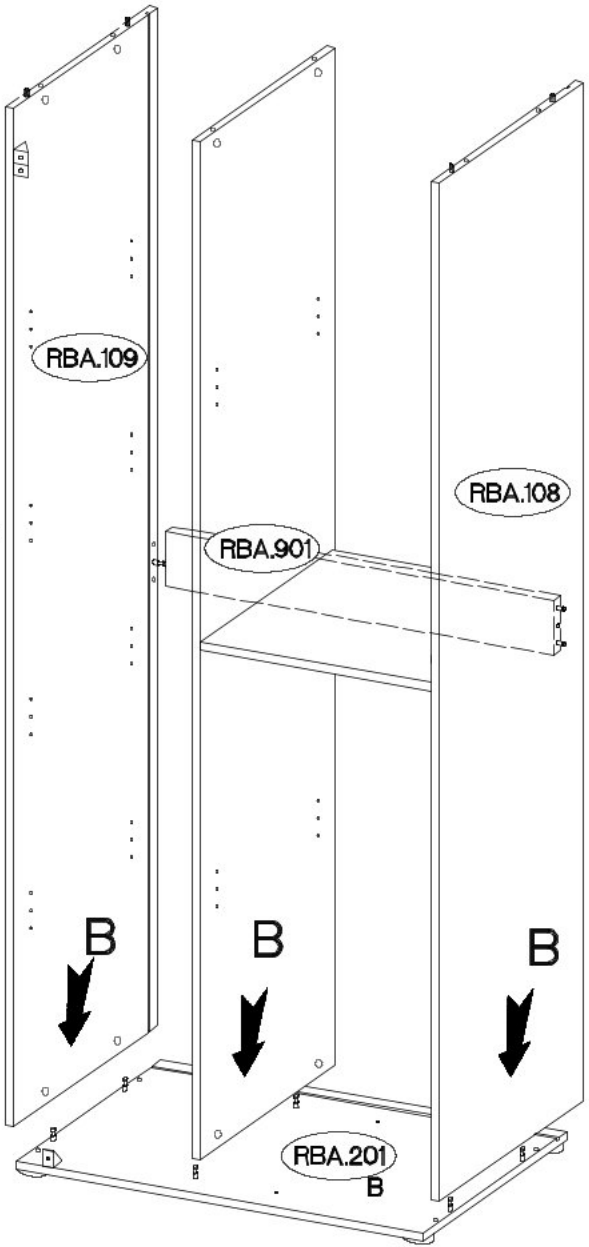
L=20mm 	+15/12mm 	+8x30mm 				+4.0x16mm 		+4.0x25mm
D2	C	A	T9	T4	T3	P1	F10	P14
18	18	12	7	1	1	10	5	5



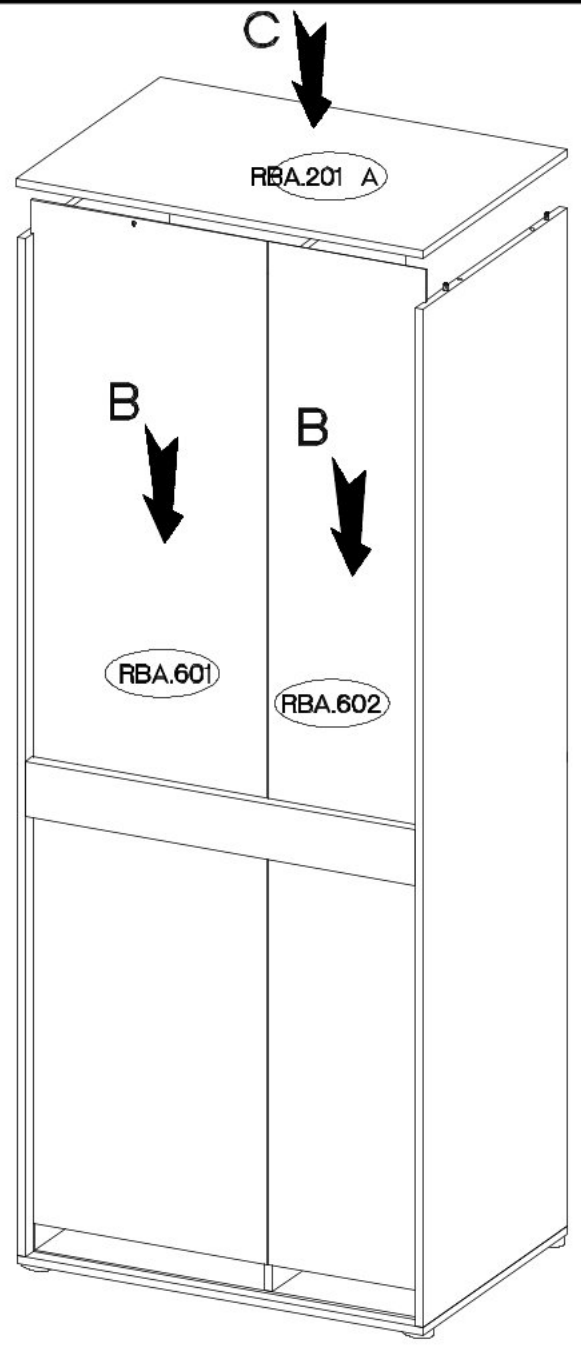
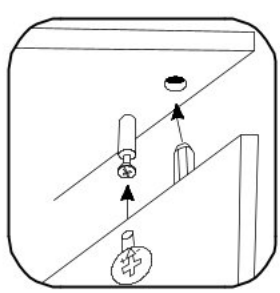
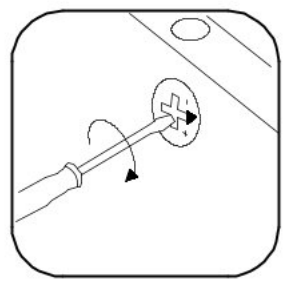
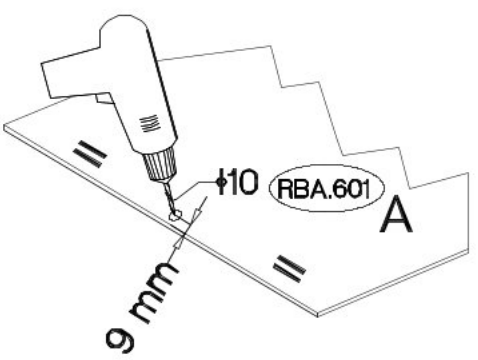
25



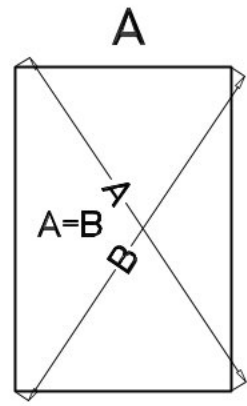
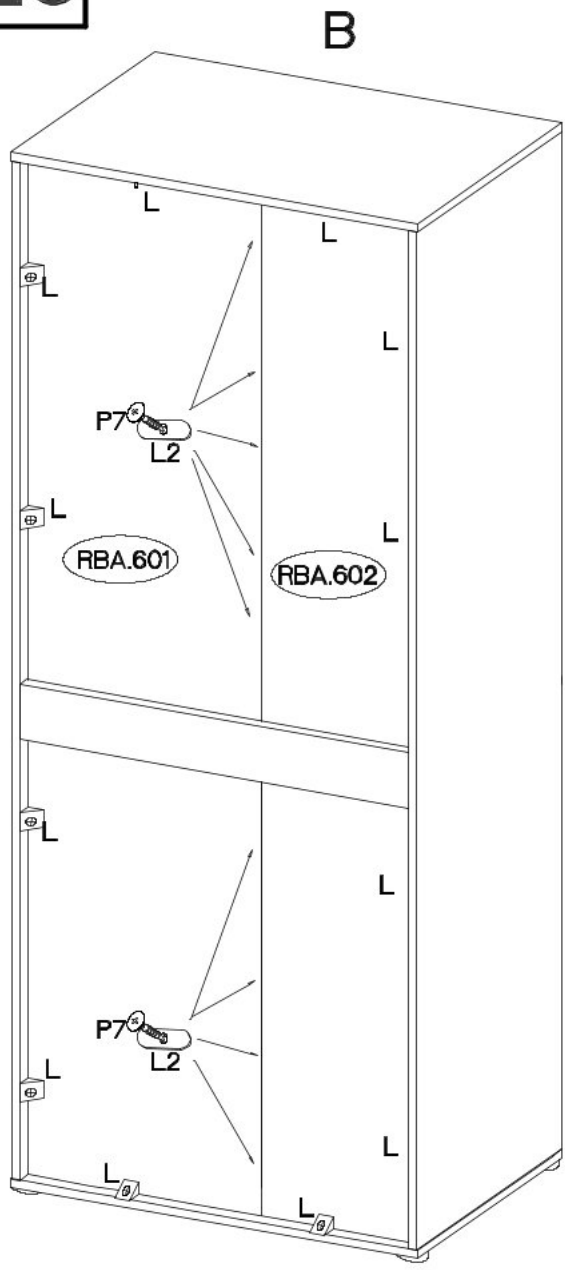
26



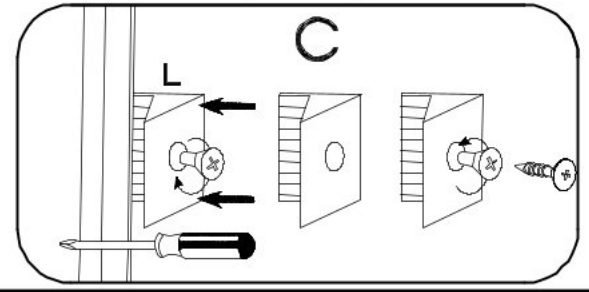
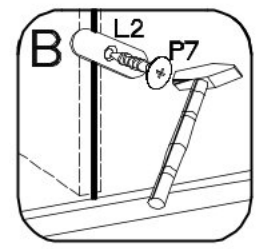
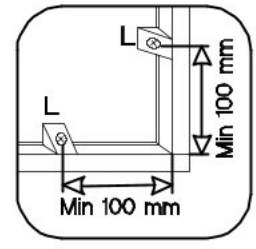
27



28



$\varnothing 3.0 \times 20 \text{ mm}$		
P7	L2	L
9	9	12



29

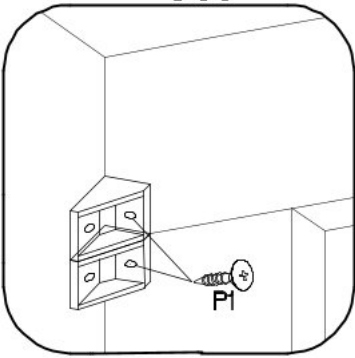
±4.0x16mm



P1

10

x1



RBA.902

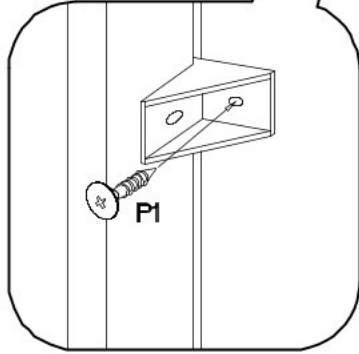


B

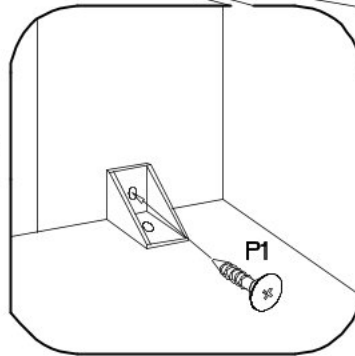


RBA.903

x5



x1



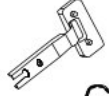
30

H=0



3

±35/0mm

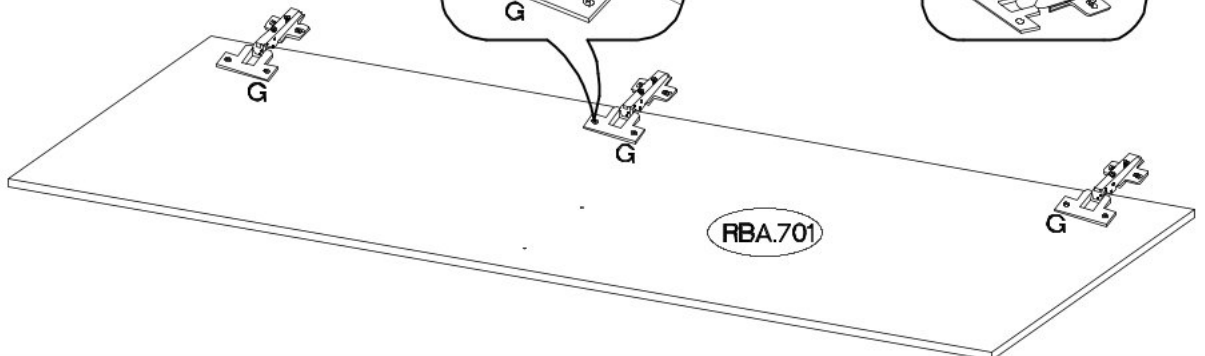
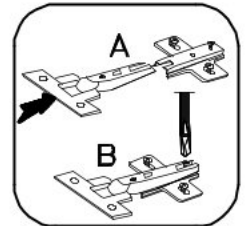
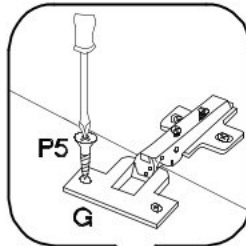


3

±3.5x13mm

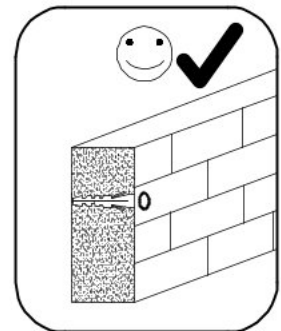
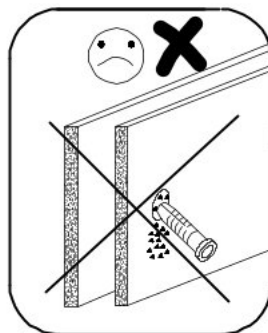
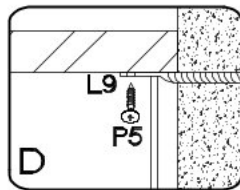
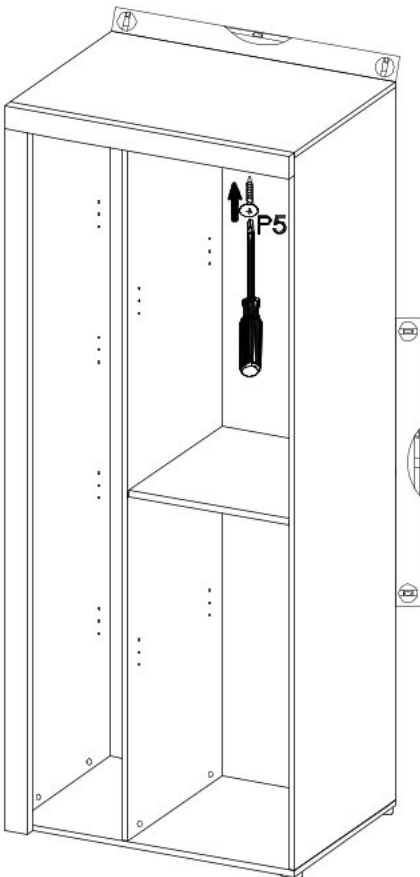
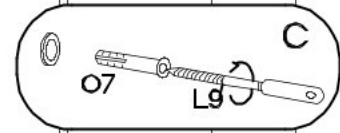
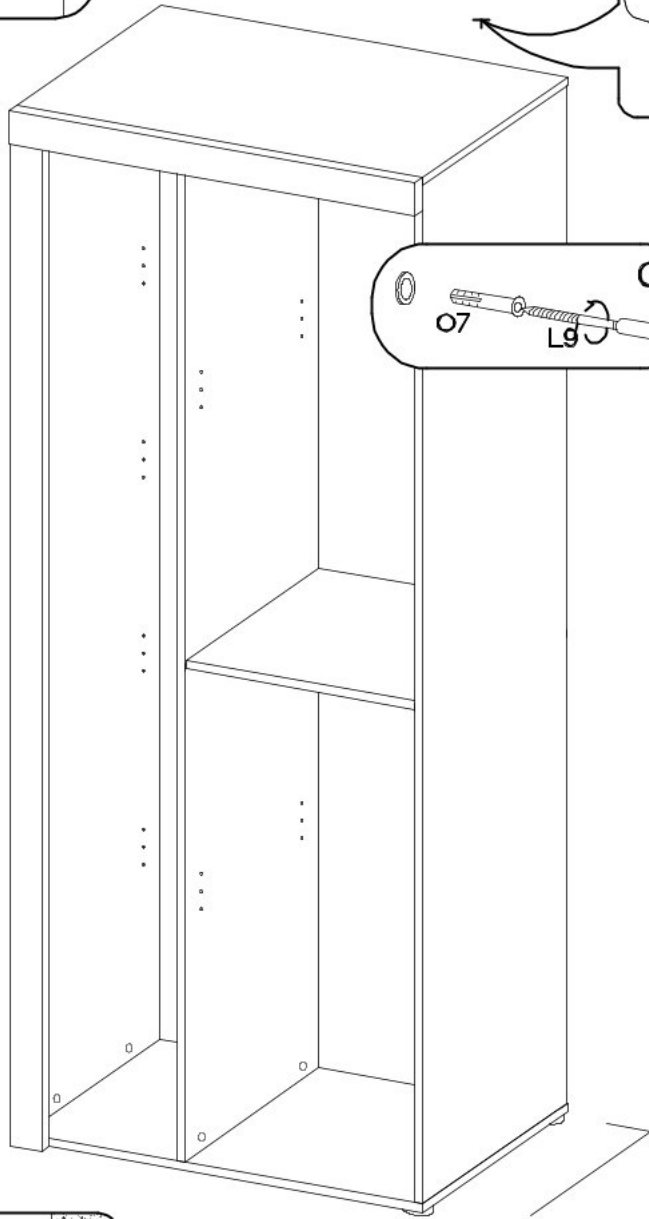
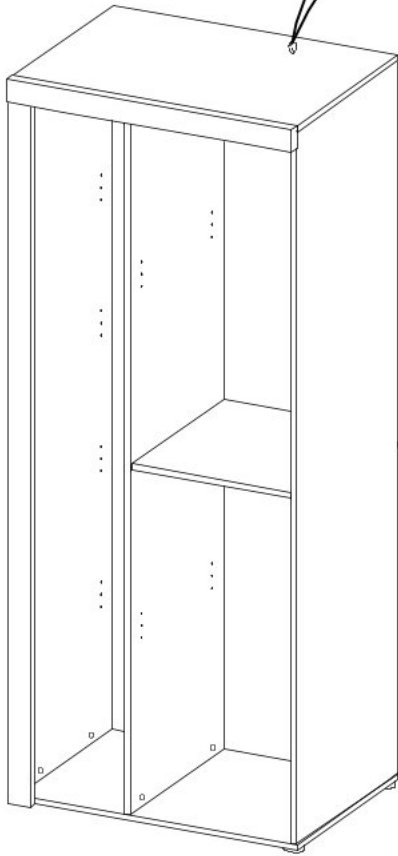
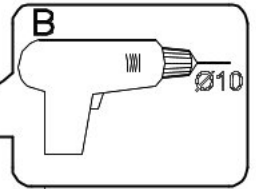
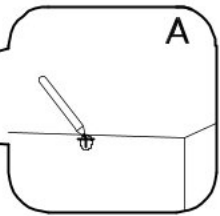





6








RBA.701

31



 O7 1	 L9 1	 P5 1
---	---	---

±5/16mm  J3 8	 E 16	 J12 16	±4.0x30mm  R2 2	L=128mm  S1 1
--	---	---	--	--

