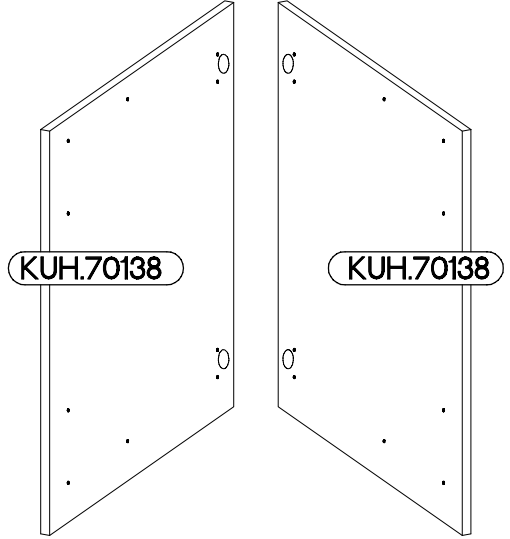
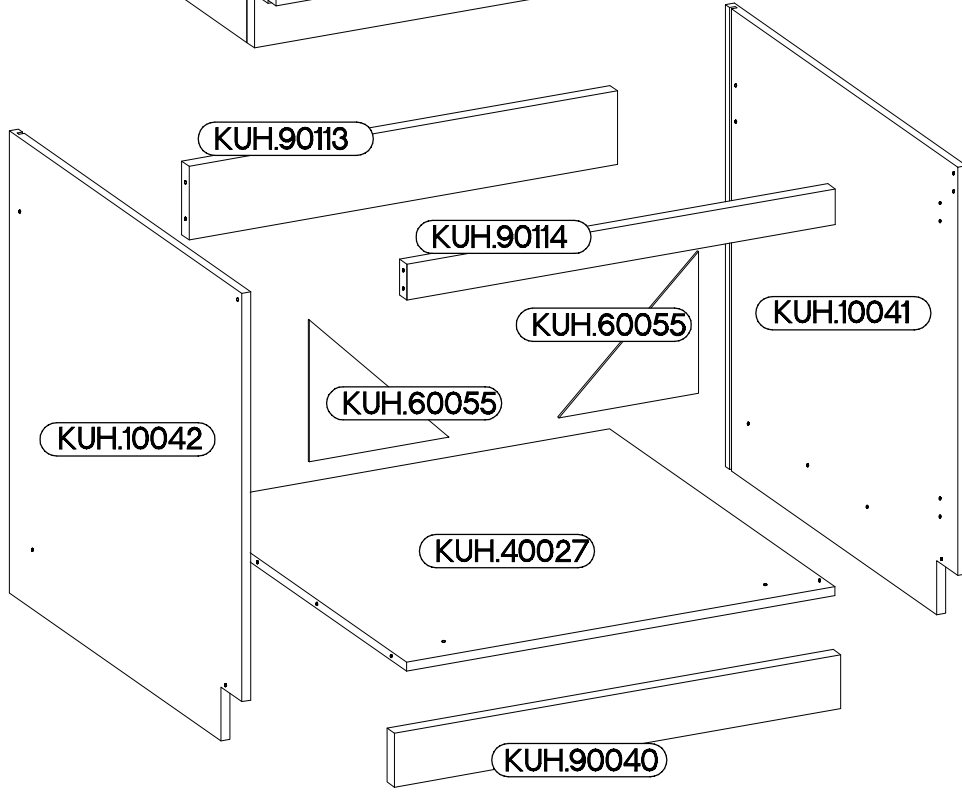
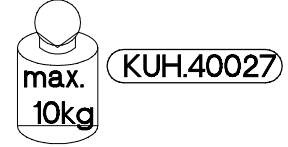
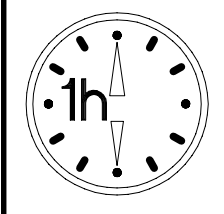
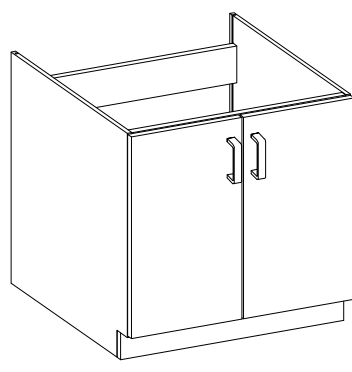
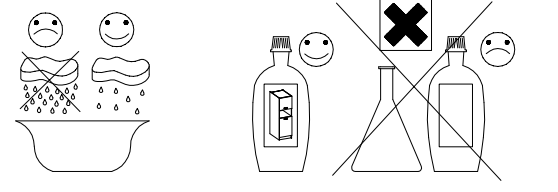
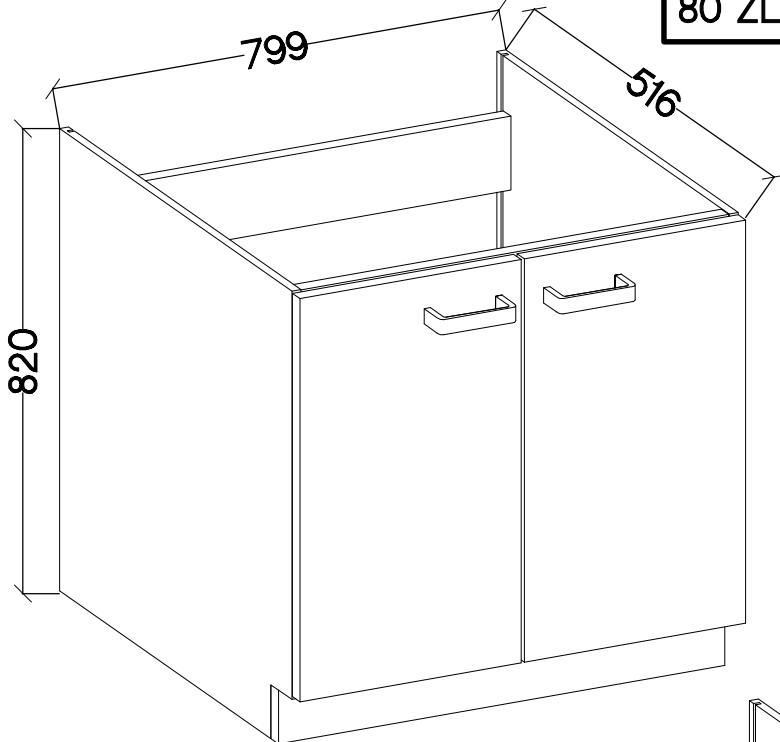
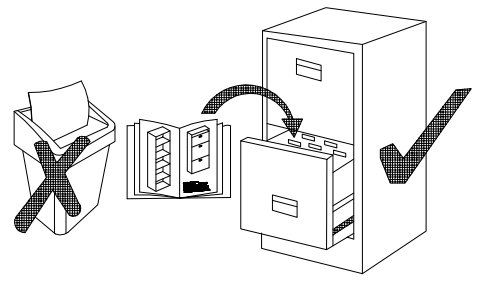


80 ZL 2F BB

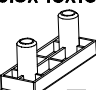
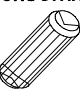
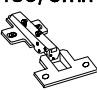



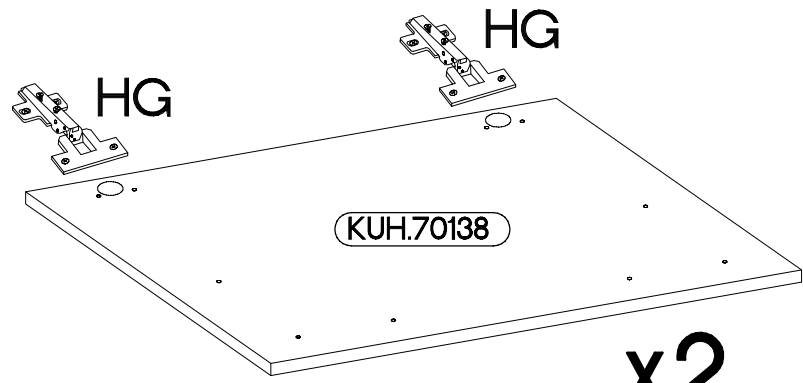
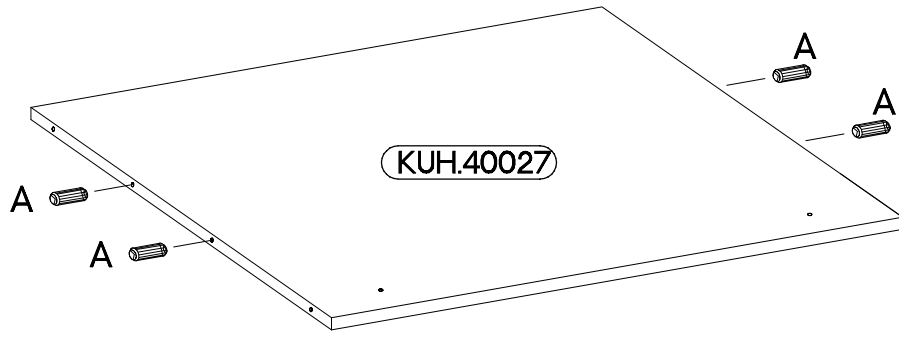
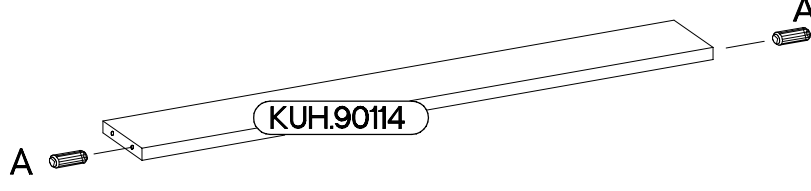
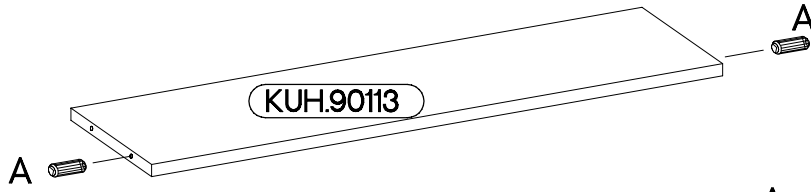
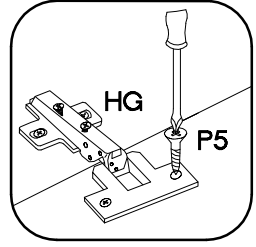
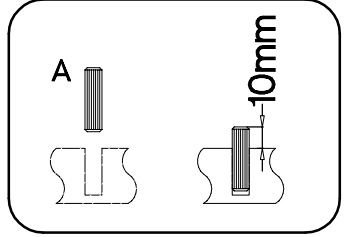
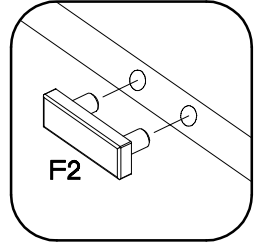
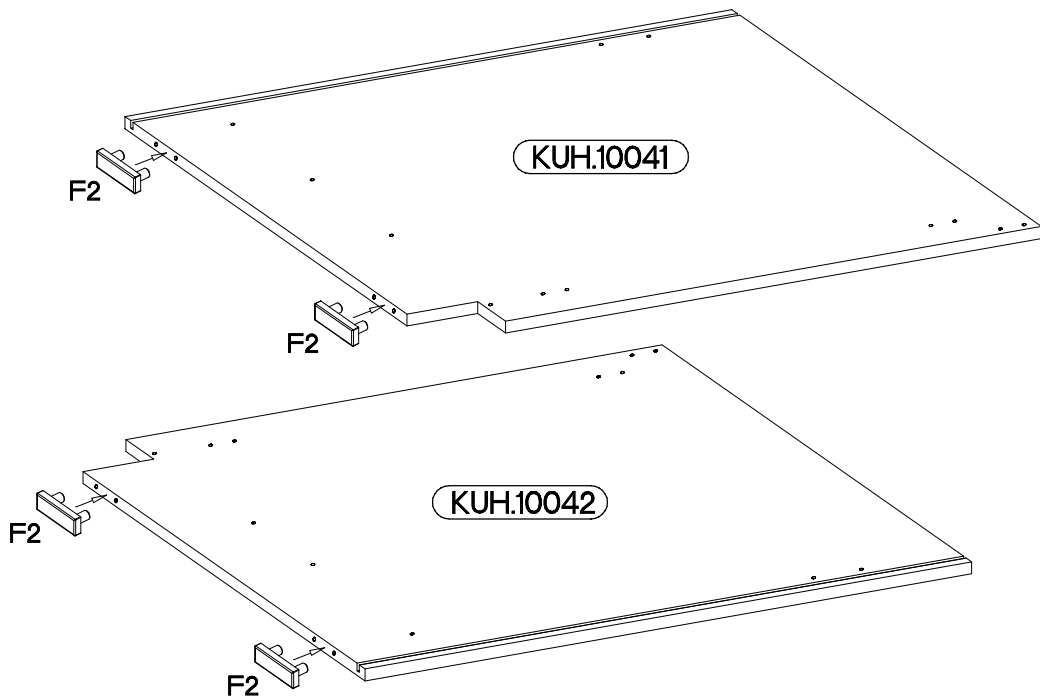
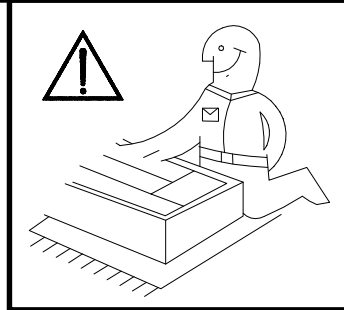
<p>±8x30mm A 8</p>	<p>6,4 x 50mm B 8</p>	<p>E1 8</p>	<p>E9 2</p>	<p>6.5x48x16 F2 4</p>	<p>±35/0mm HG 4</p>
<p>O 1</p>	<p>±4.0x45mm P4 2</p>	<p>±3.5x13mm P5 8</p>	<p>±3.0x20mm P7 4</p>	<p>S23 2</p>	<p>M4x22mm U 4</p>



ISM-KUH-00927

1

6.5x48x16  F2 4	±8x30mm  A 8	±35/0mm  HG 4	±3.5x13mm  P5 8
--	---	--	--



x2

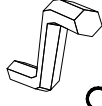
2

6,4 x 50mm



B

4



O

1



E1

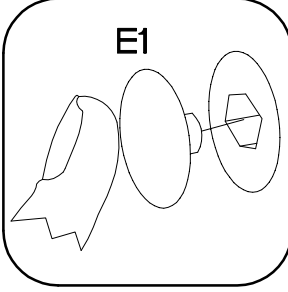
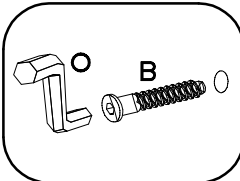
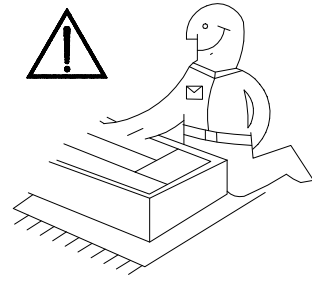
4

KUH.90113

KUH.10042

KUH.90114

KUH.40027



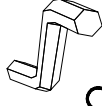
3

6,4 x 50mm



B

4



O

1



E1

4

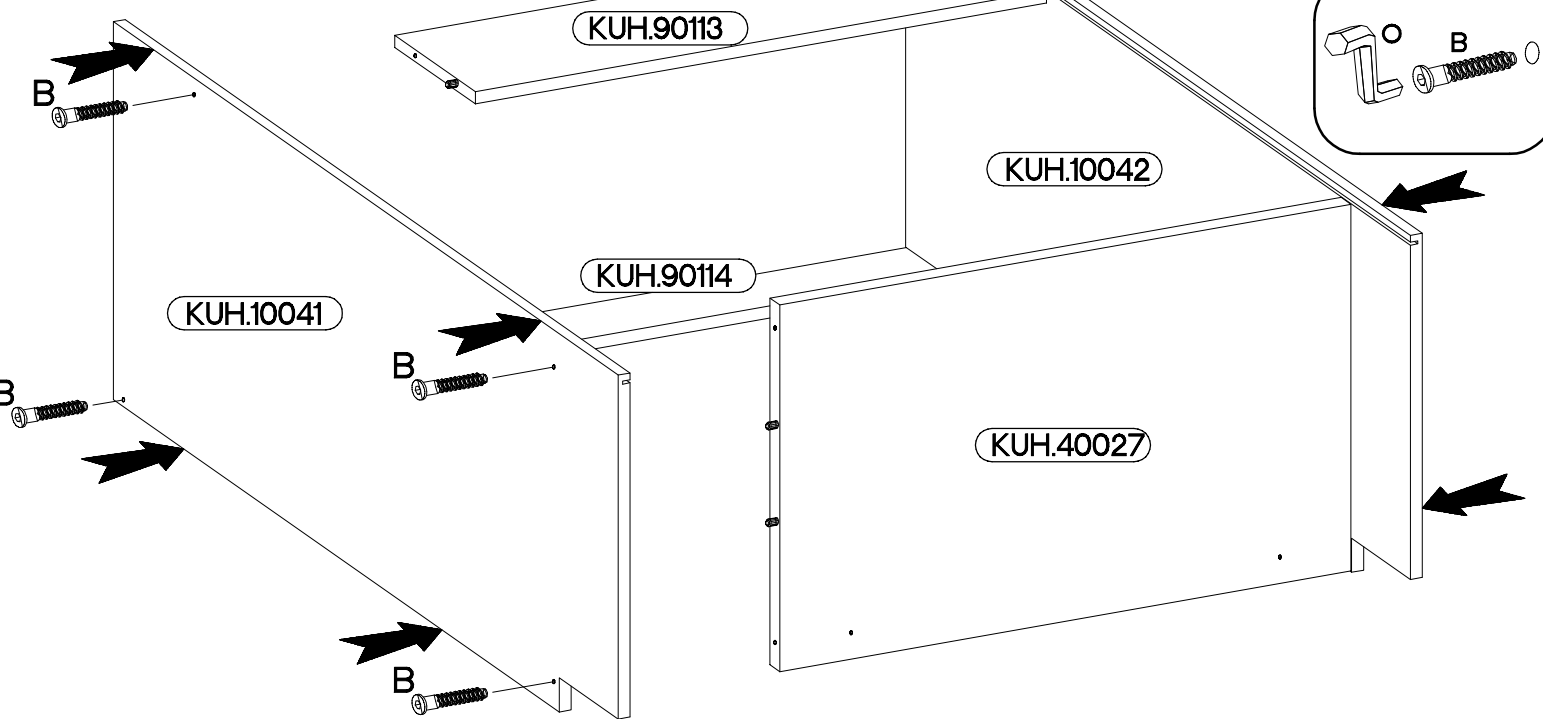
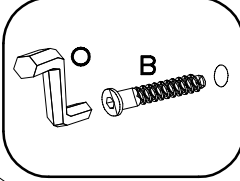
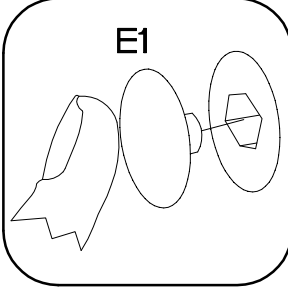
KUH.90113

KUH.10042


KUH.10041

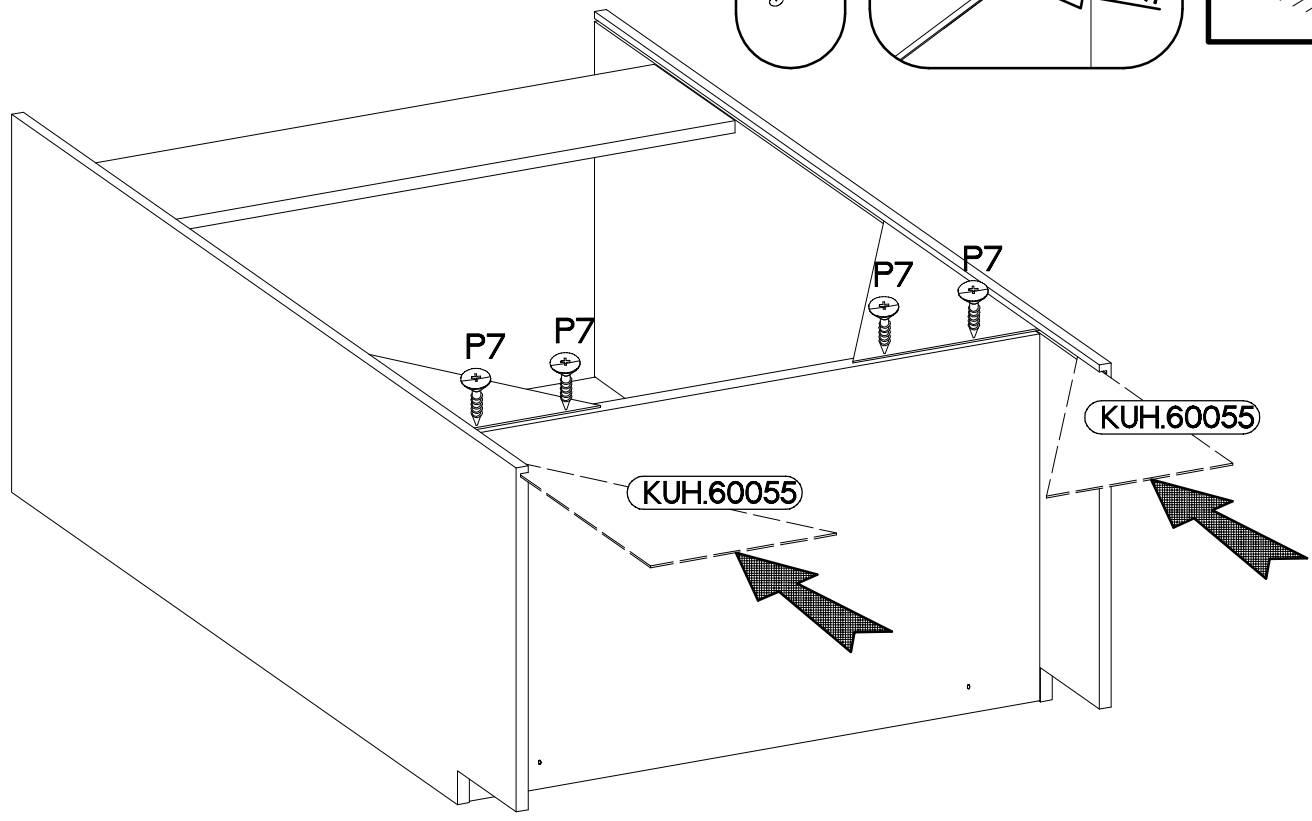
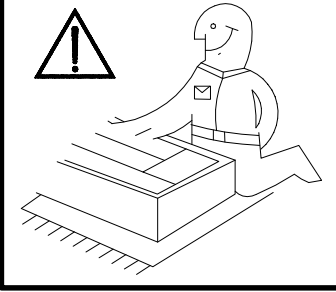
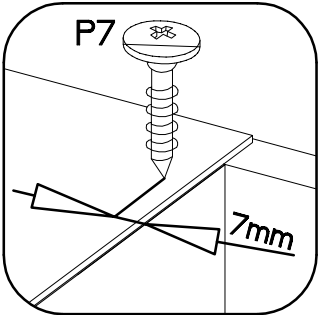
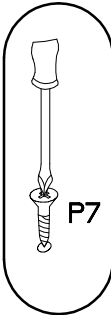
KUH.90114

KUH.40027





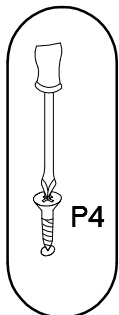
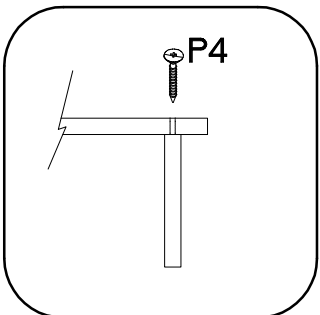
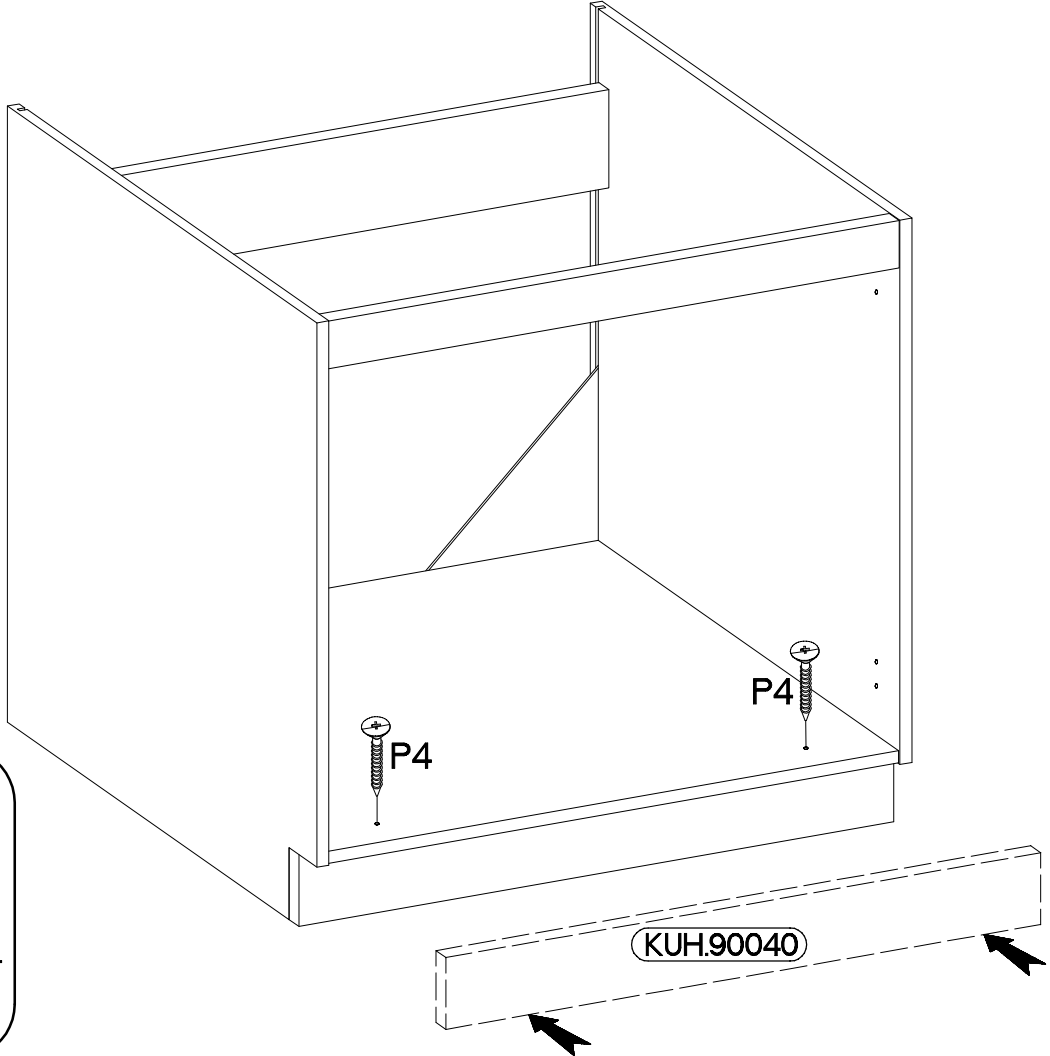
4

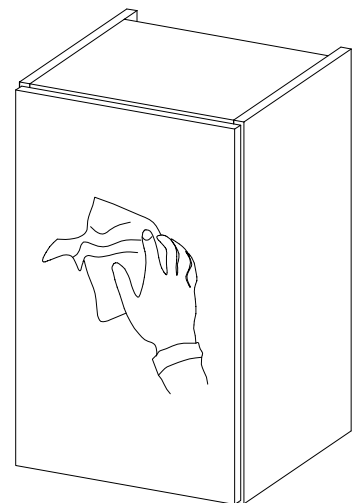
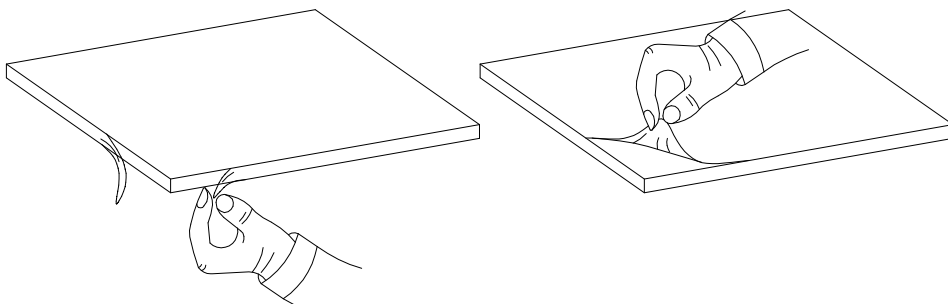
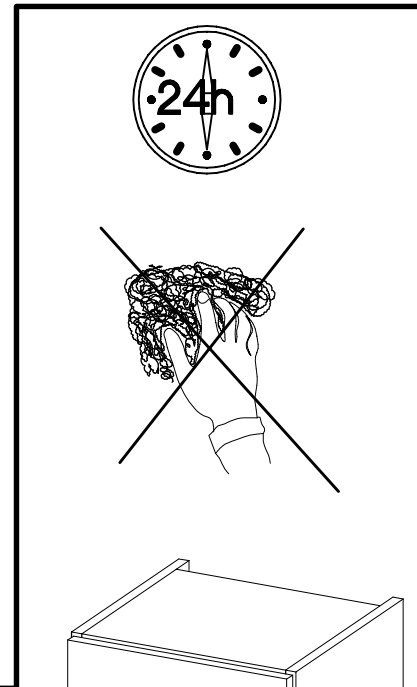
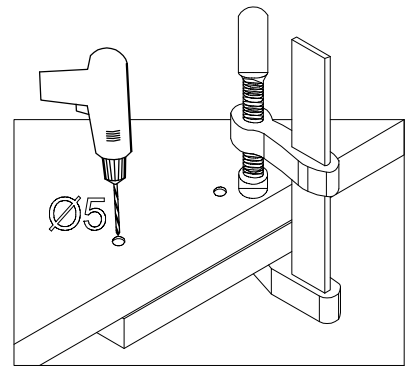
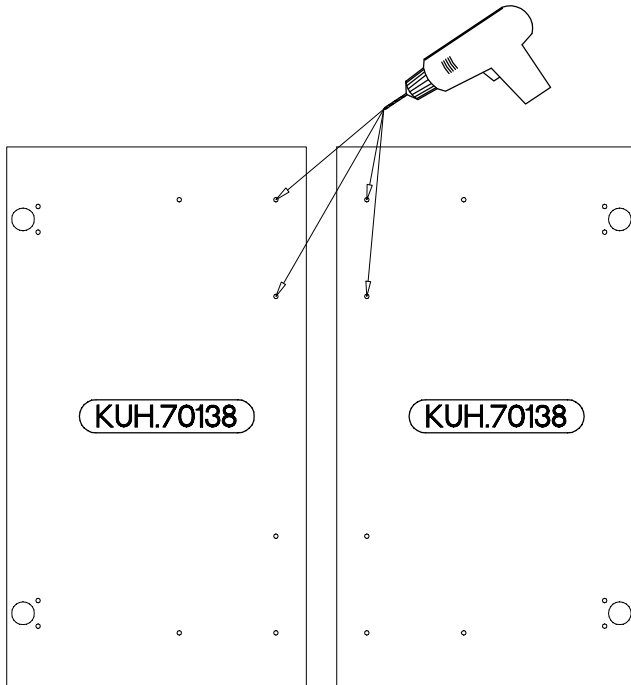
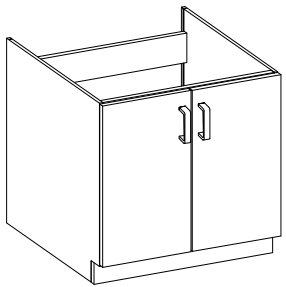
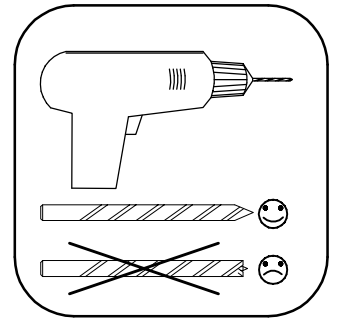
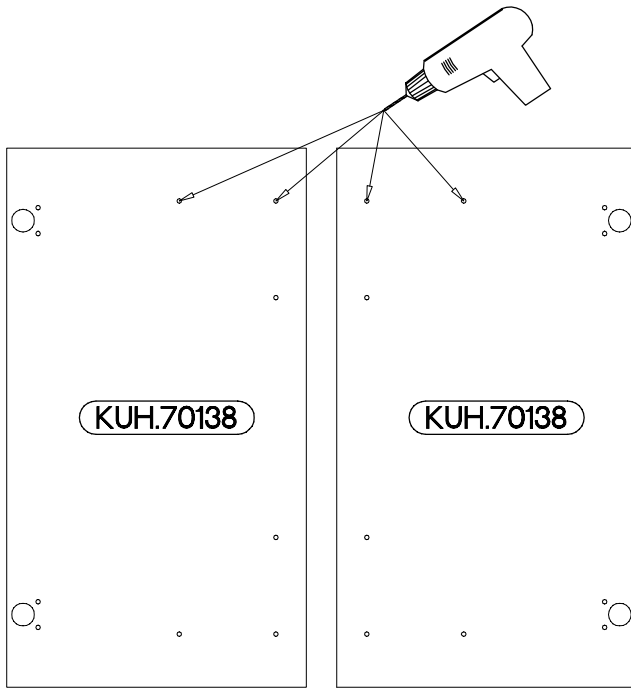
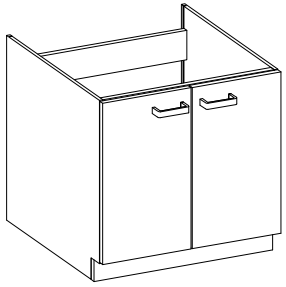
φ3.0x20mm

P7
4




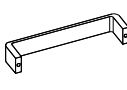
5

φ4.0x45mm	
	E9
2	2





7

M4x22mm		
4	U	S23
4		2

