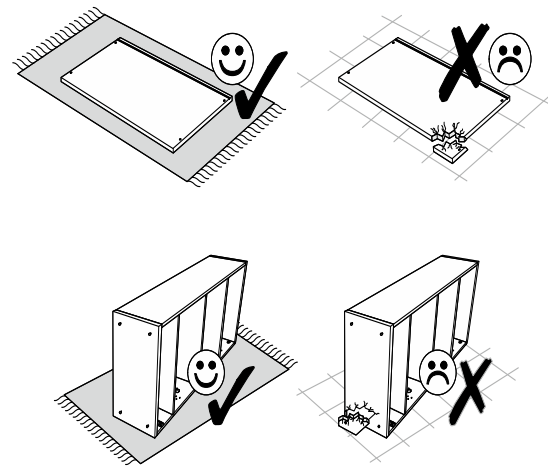
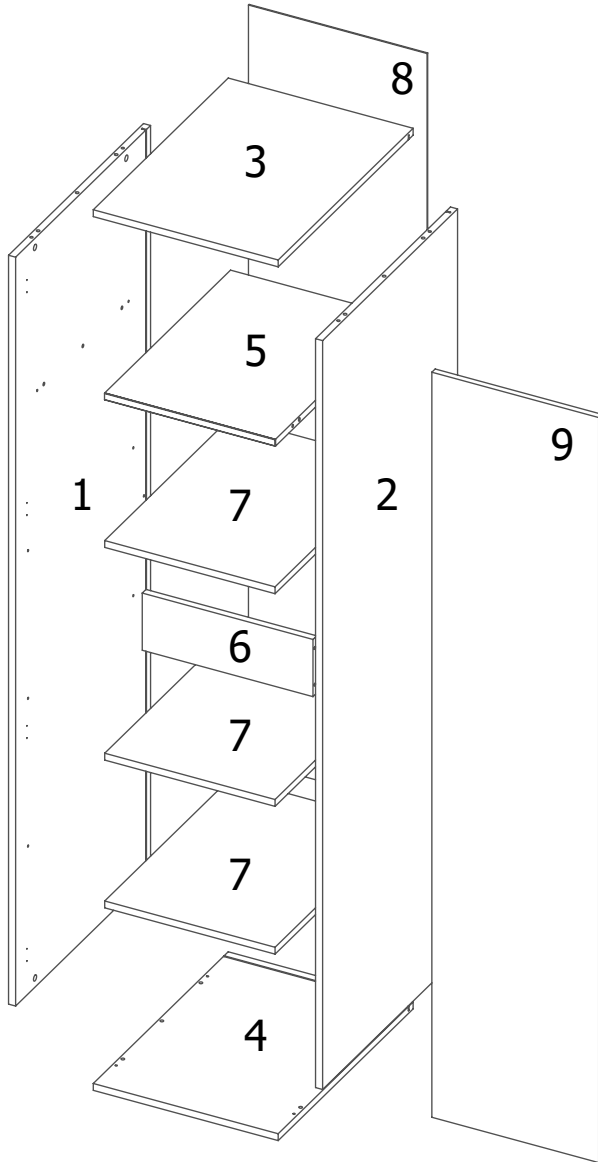
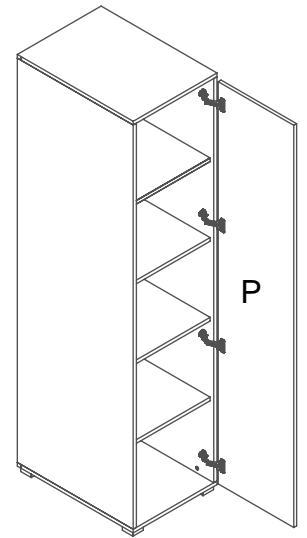
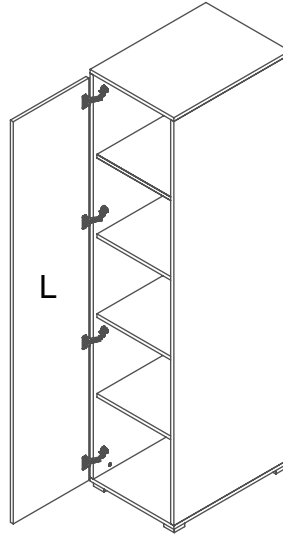
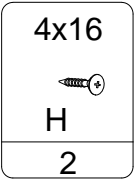
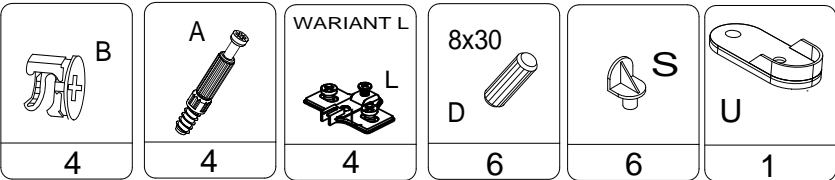
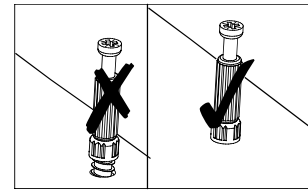
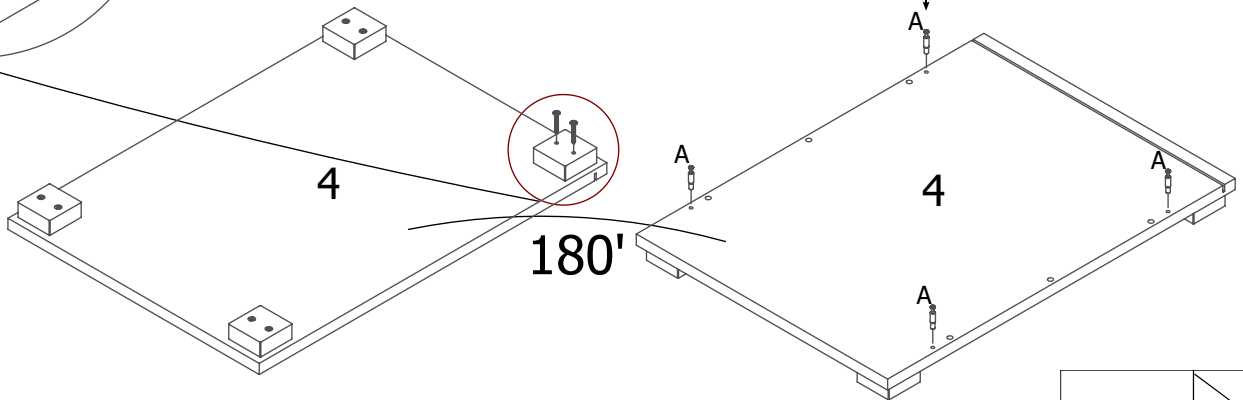
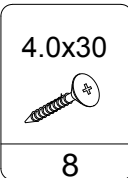
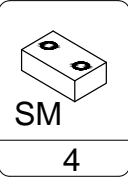
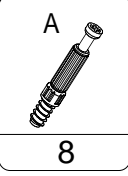
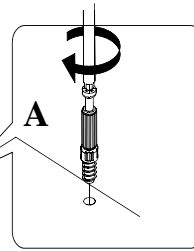
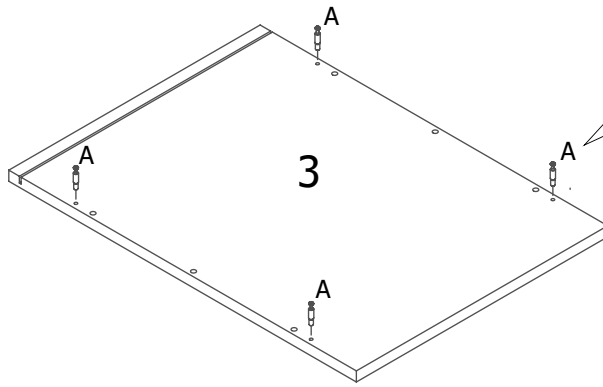
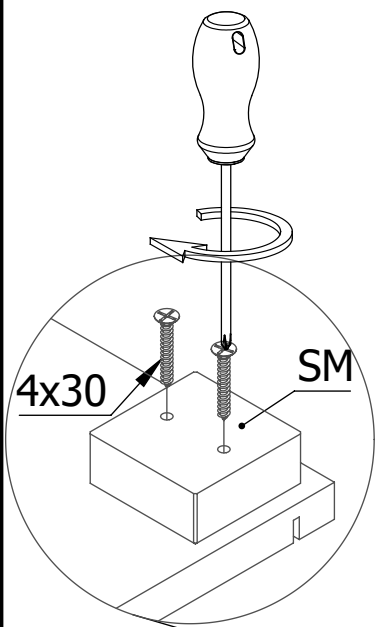


WARIANT L

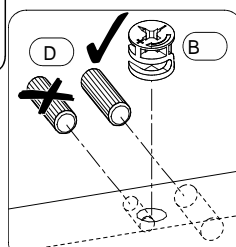
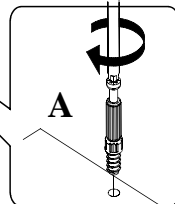
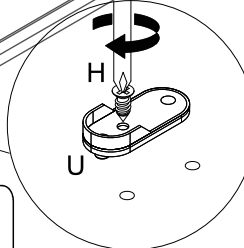
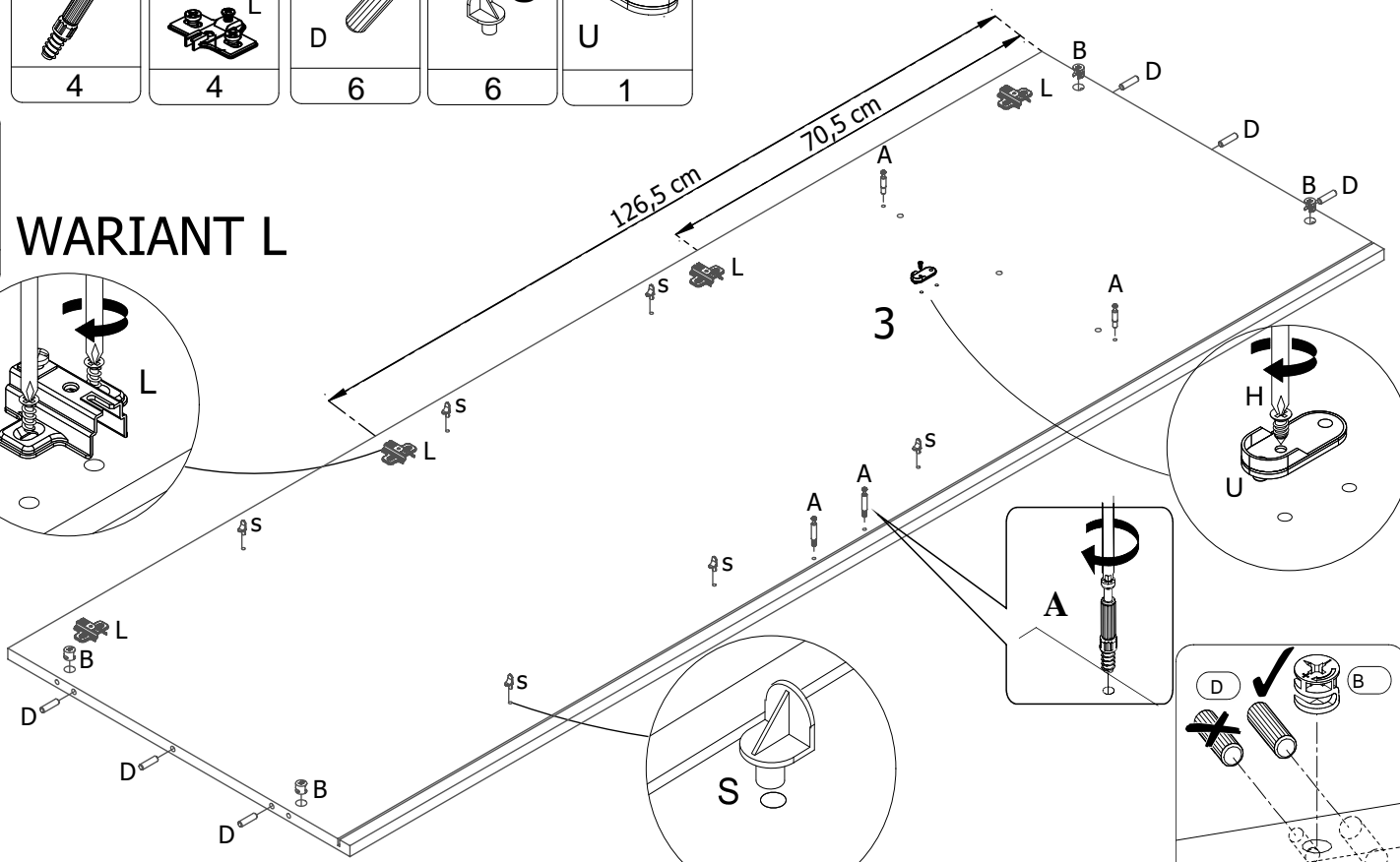
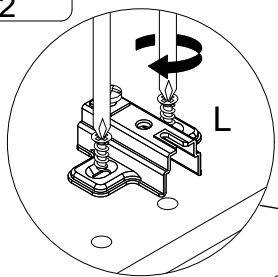
WARIANT P



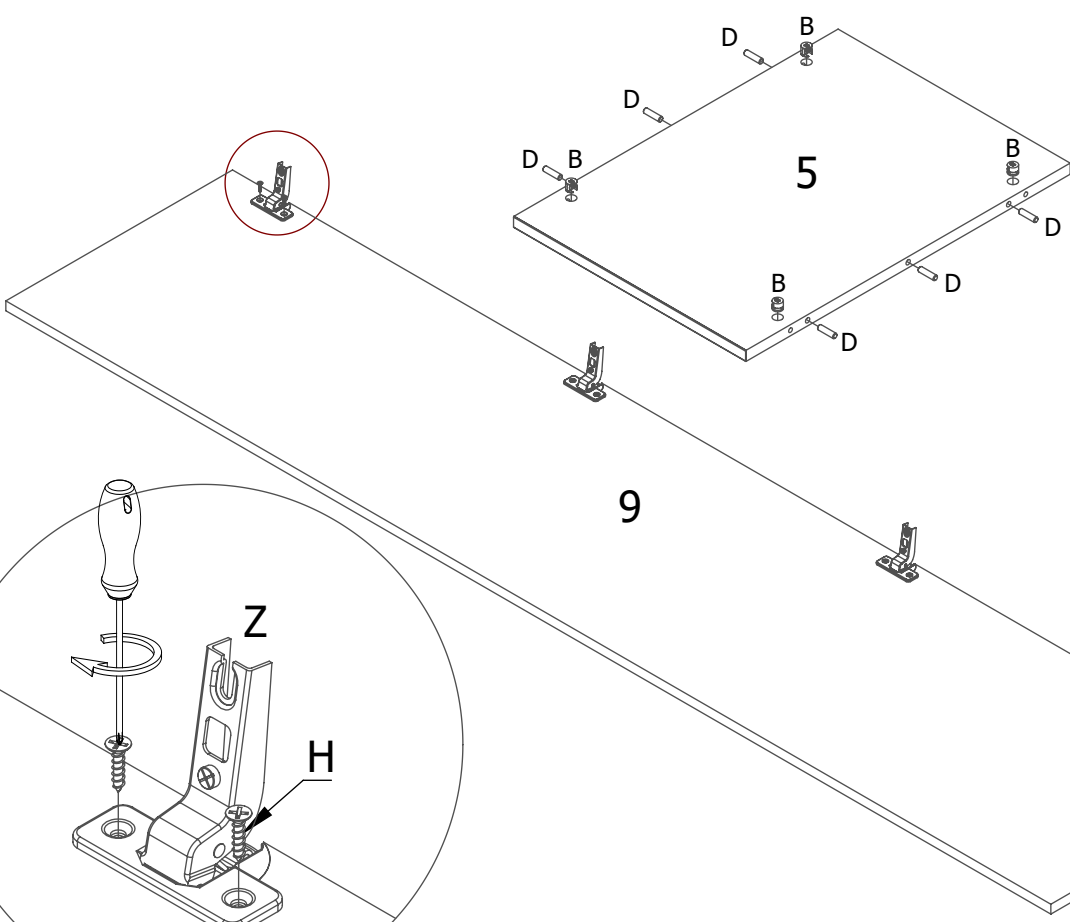
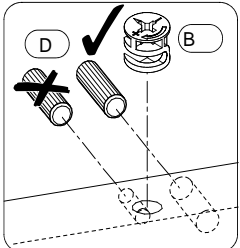
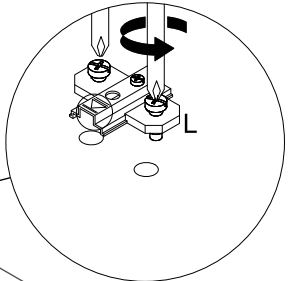
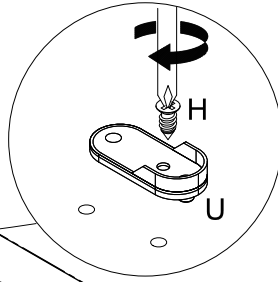
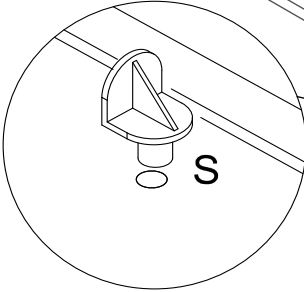
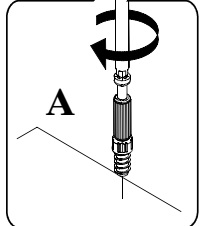
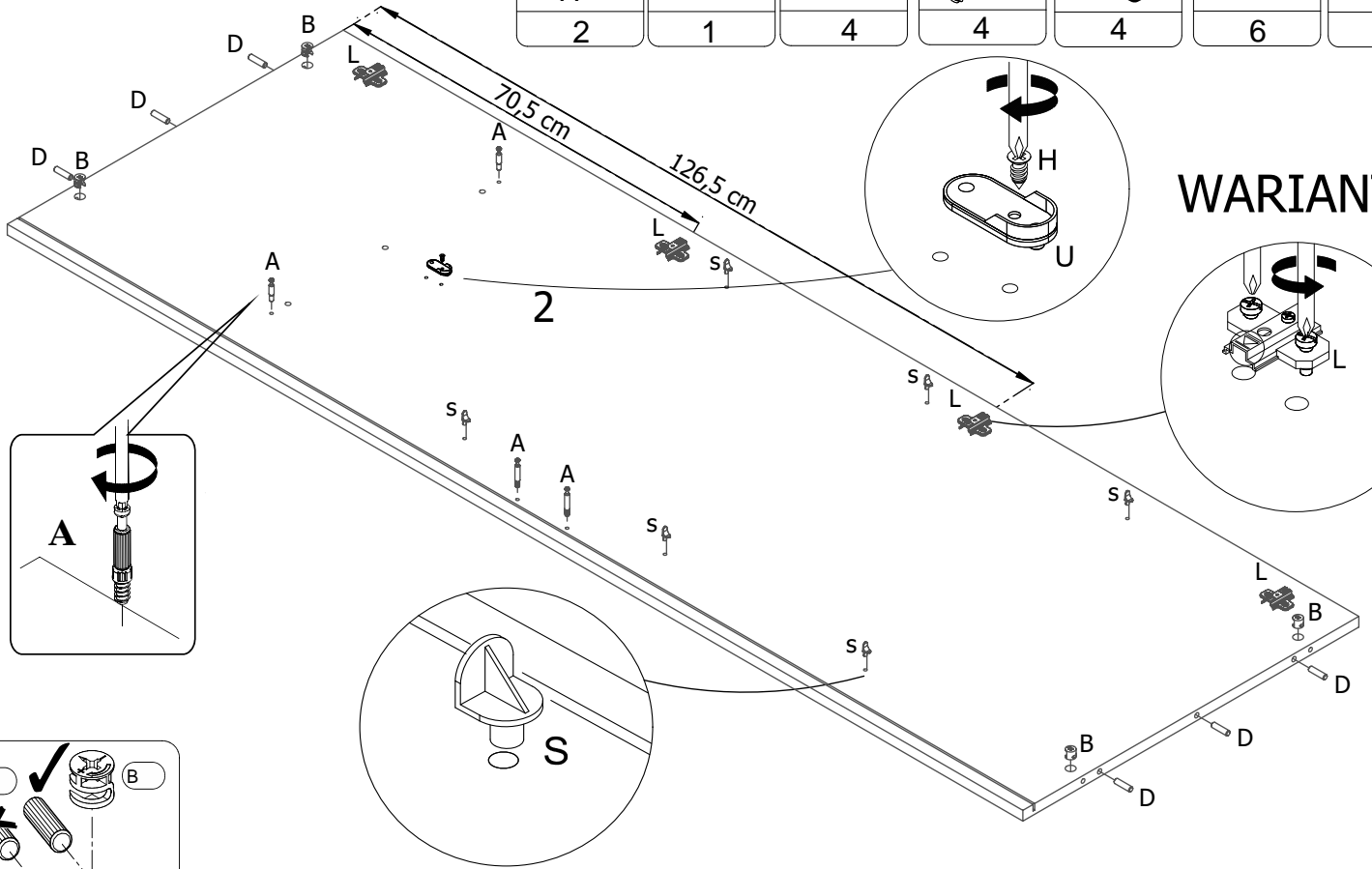
<p>8x30</p> <p>D</p> <p>18</p>	<p>A</p> <p>16</p>	<p>B</p> <p>16</p>	<p>X</p> <p>16</p>	<p>Z</p> <p>4</p>	<p>UM</p> <p>1</p>	<p>S</p> <p>12</p>
<p>I</p> <p>8</p>	<p>L</p> <p>4</p>	<p>4x16</p> <p>H</p> <p>14</p>	<p>SM</p> <p>4</p>	<p>4.0x30</p> <p>8</p>	<p>U</p> <p>2</p>	



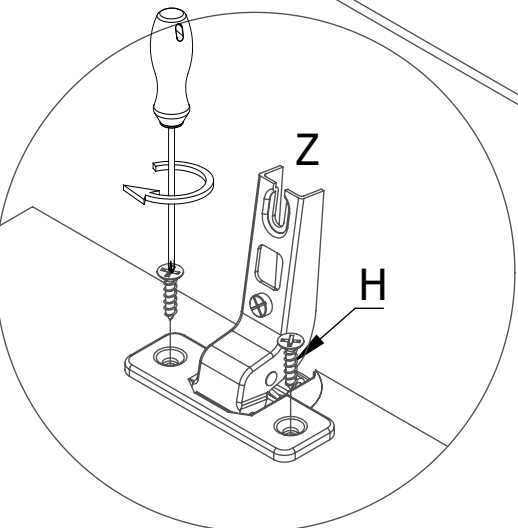
WARIANT L

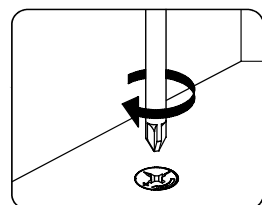
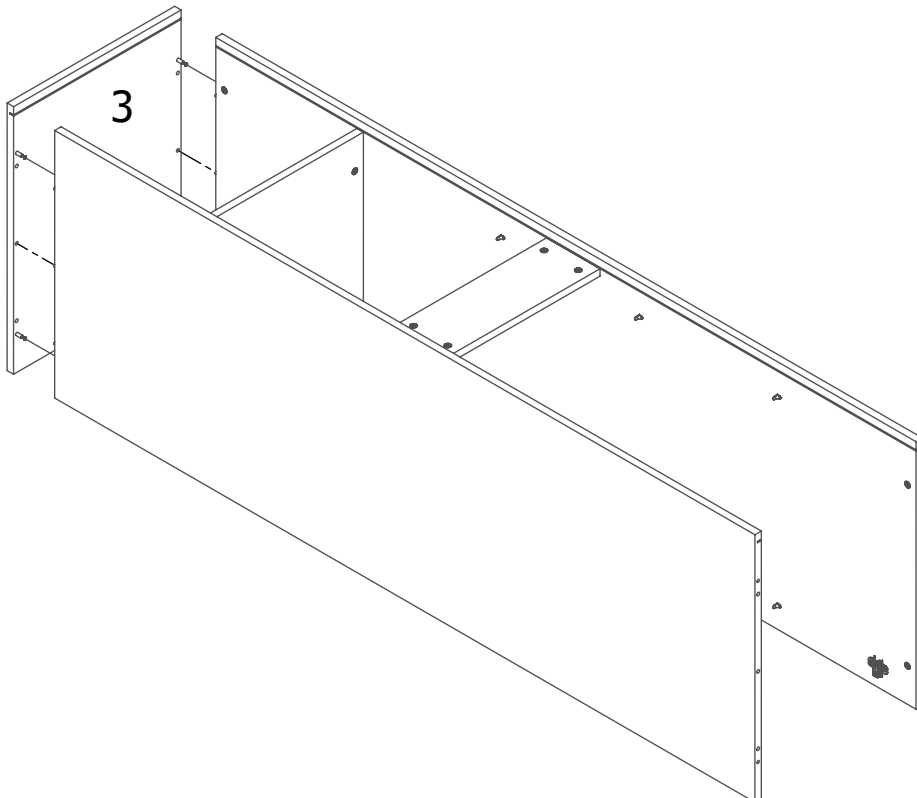
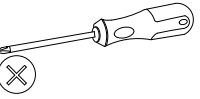
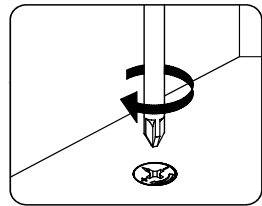
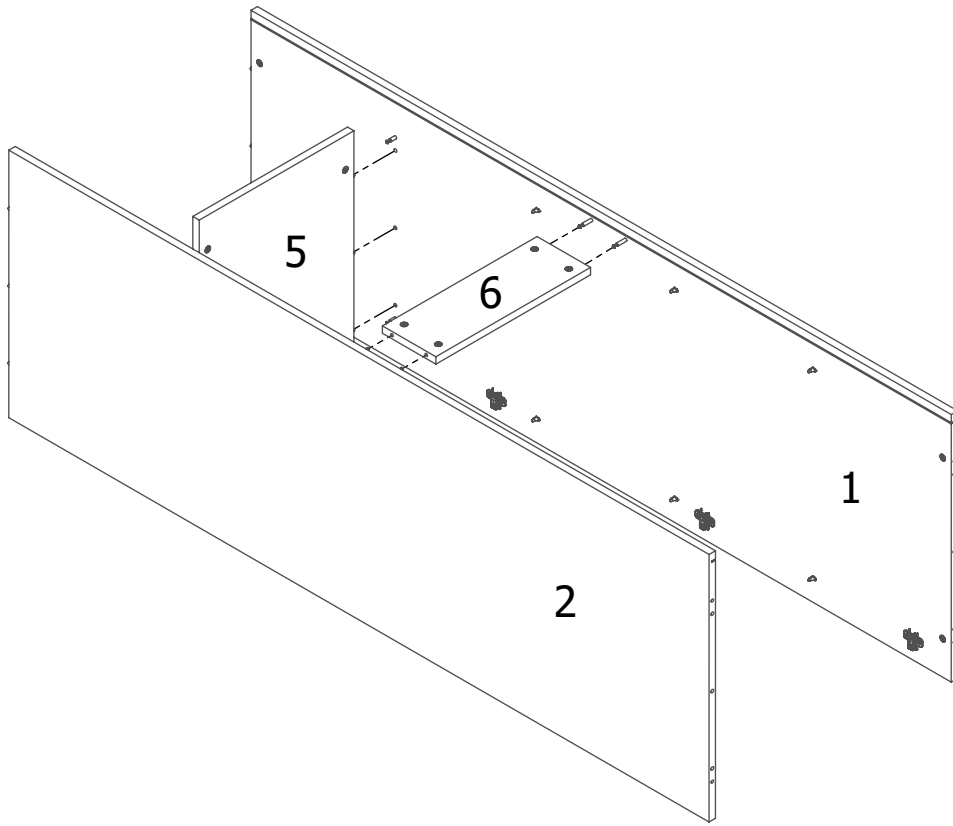
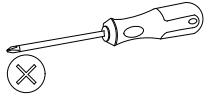


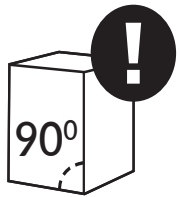
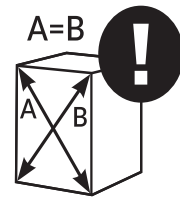
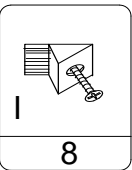
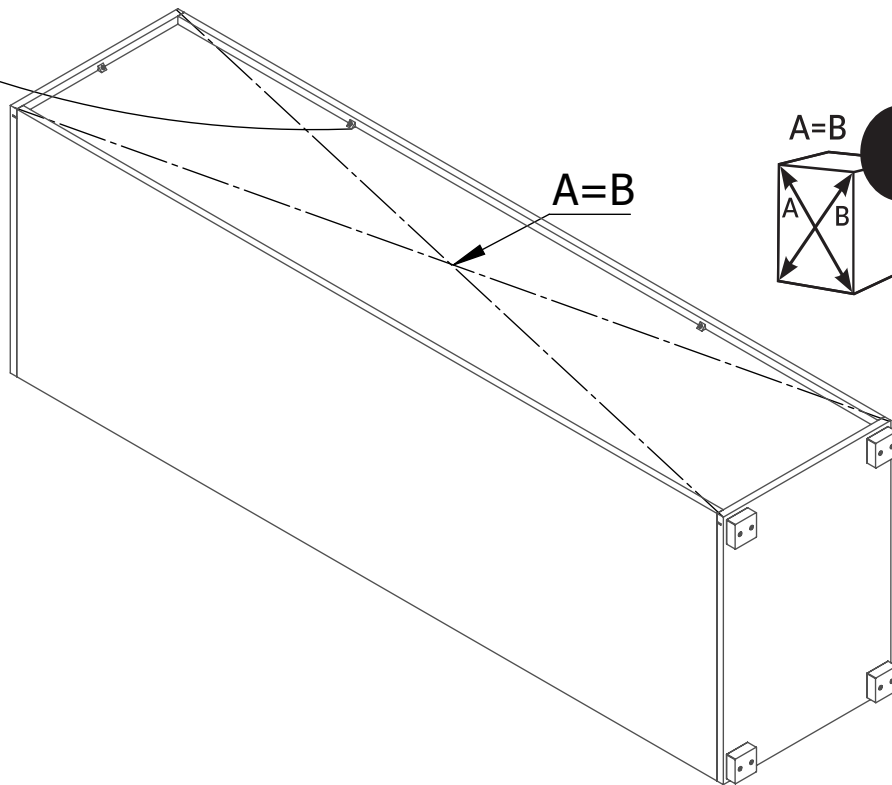
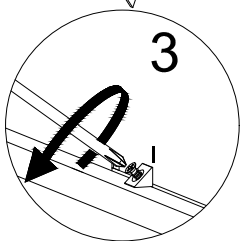
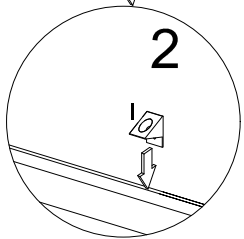
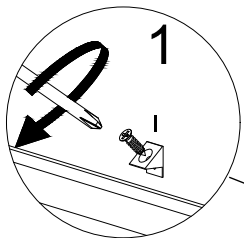
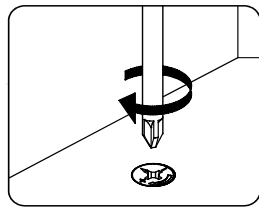
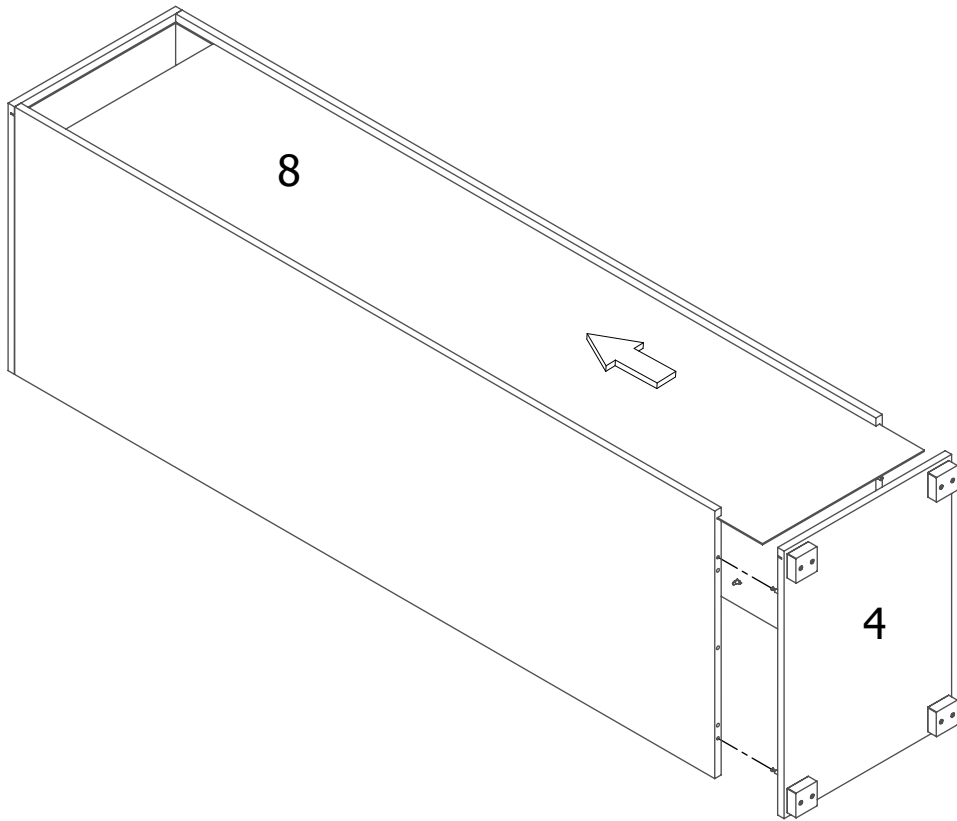
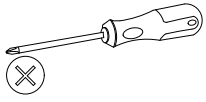
4x16 H 2	U 1	B 4	A 4	WARIANT P L 4	8x30 D 6	S 6
----------------	--------	--------	--------	---------------------	----------------	--------

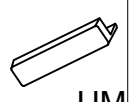


8x30 D 6	B 8
4x16 H 8	Z 4







	4x16
UM	H
1	2

