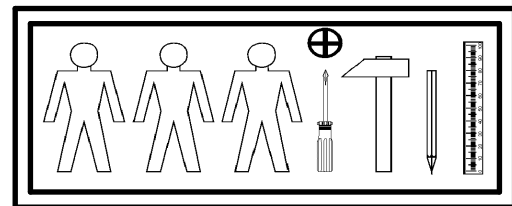
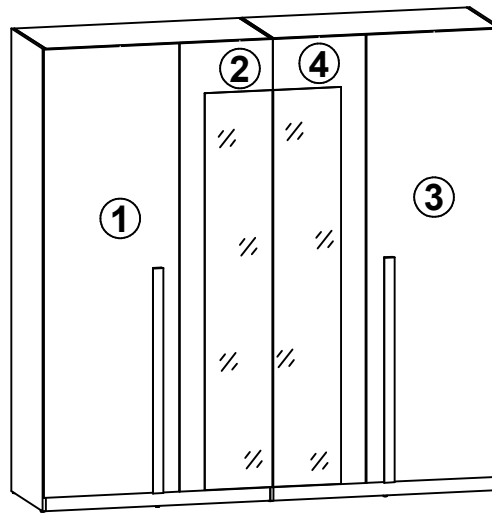


# A

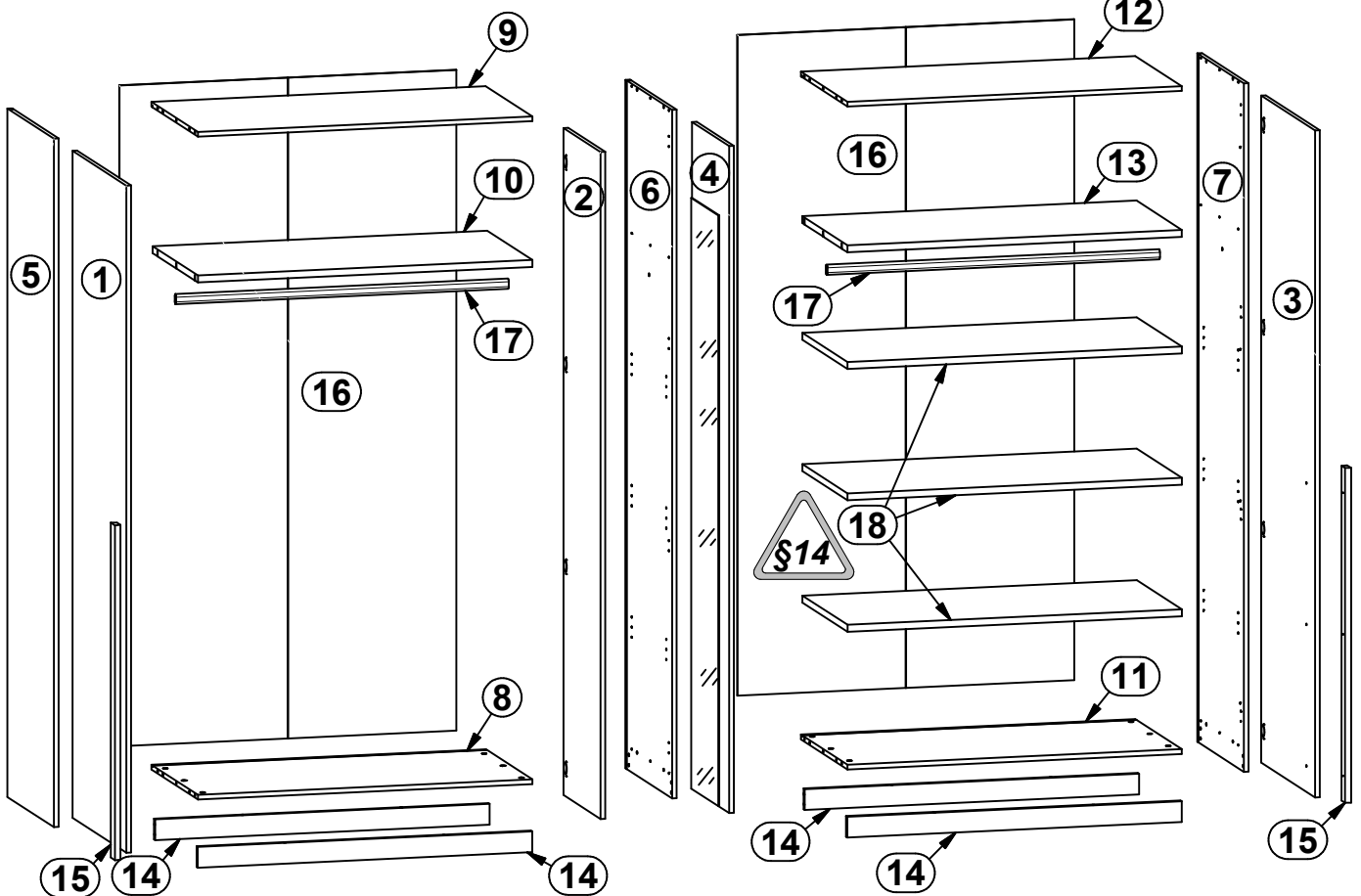
# F29

# F29-SZF4D

A	B	C	D	
1	F29-001	2112	648	5/5
2	F29-002	2112	446	4/5
3	F29-003	2112	648	5/5
4	F29-004	2112	446	4/5
5	F29-101	2180	560	1/5
6	F29-102	2180	560	1/5
7	F29-103	2180	560	1/5
8	F29-301	1077	560	2/5
9	F29-302	1077	560	2/5
10	F29-303	1077	544	3/5
11	F29-306	1077	560	2/5
12	F29-307	1077	560	2/5
13	F29-308	1077	544	3/5
14	F29-401	1077	66	2/5
15	F29-701	1060	50	2/5
16	F29-901	2092	1085	1/5
17	dr-1071	1071	30	2/5



A	B	C	D	
18	F29-305	1077	543	1/1

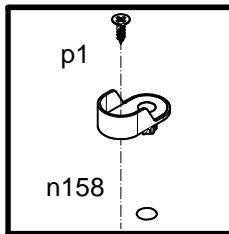
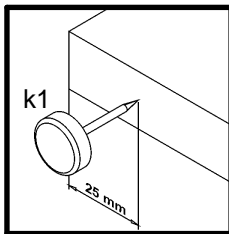
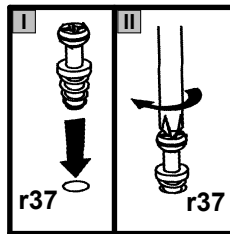
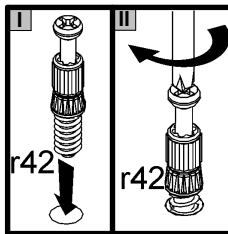
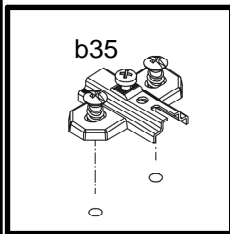
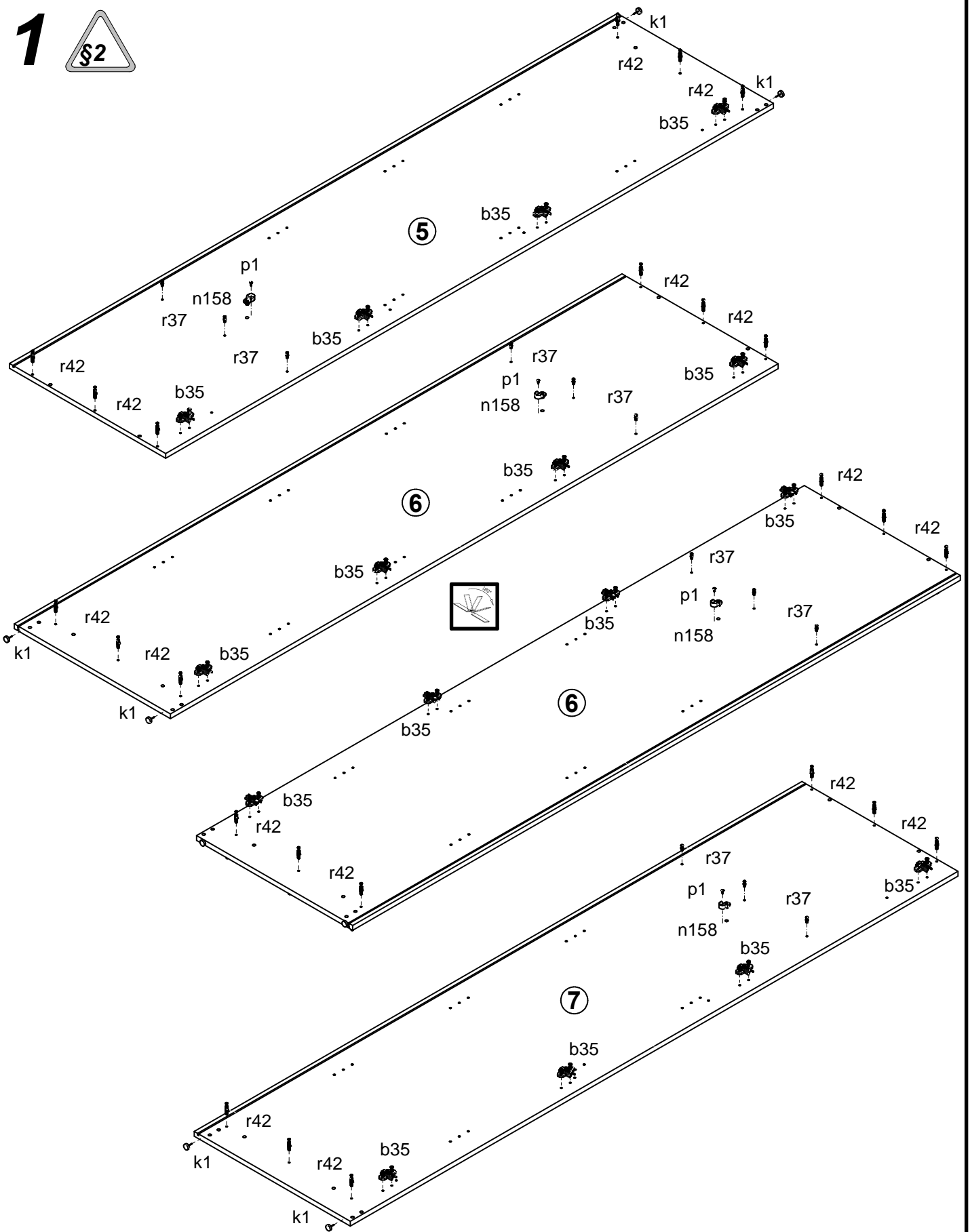


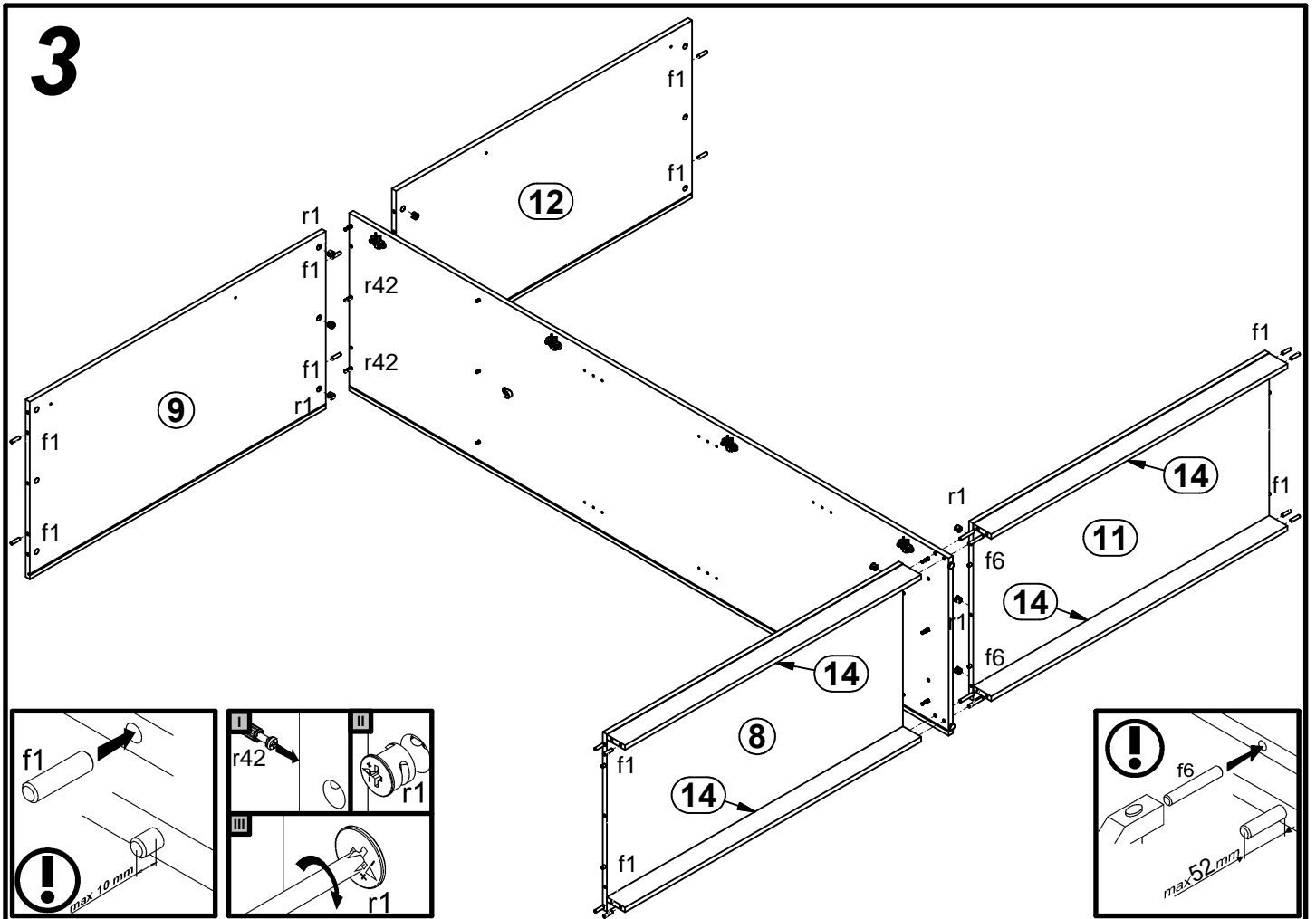
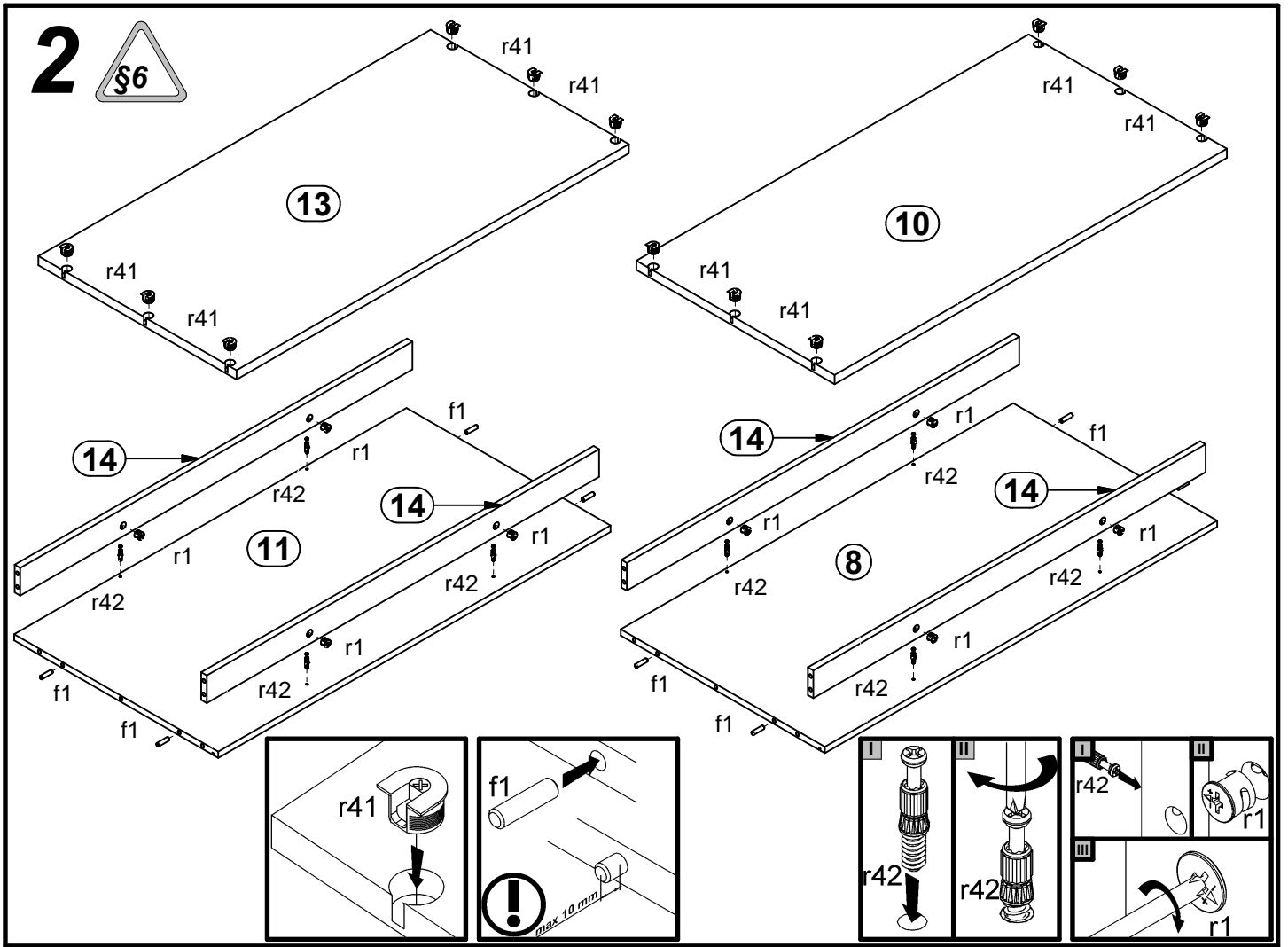
8x a44	8x a68	16x b35	24x f1 Ø8x30 mm	4x f6 Ø8x50 mm	10x k1	20x l1
28x i2	4x n158	4x p1 Ø3.5x13 mm	6x p9 Ø4x30 mm	32x p51 Ø3.5x15 mm	32x r1 Ø15x12 mm #16	12x r37
12x r41 Ø20x13.5 mm #19	32x r42	24x s2 Ø16	12x s59 Ø12x0.5 mm			

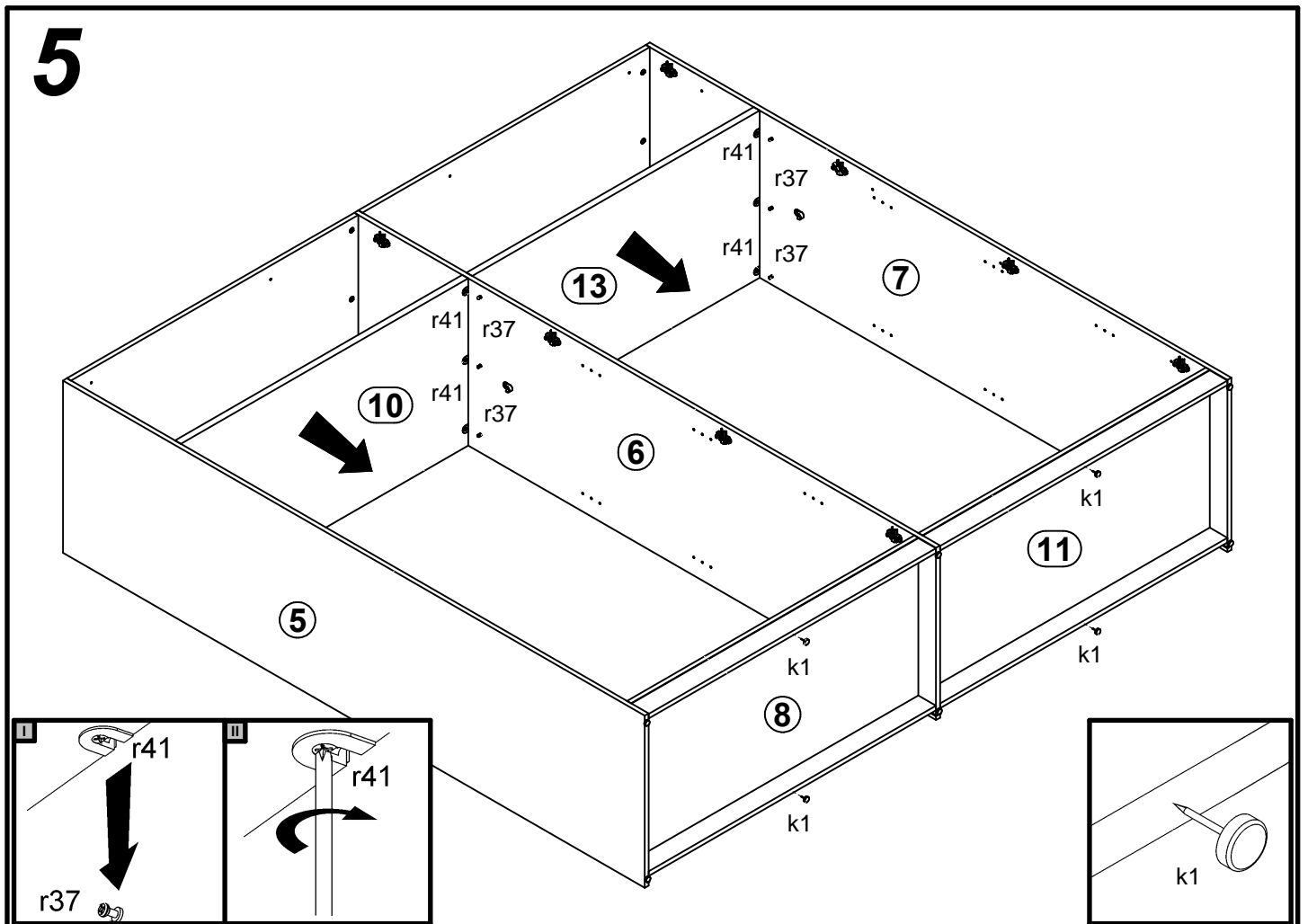
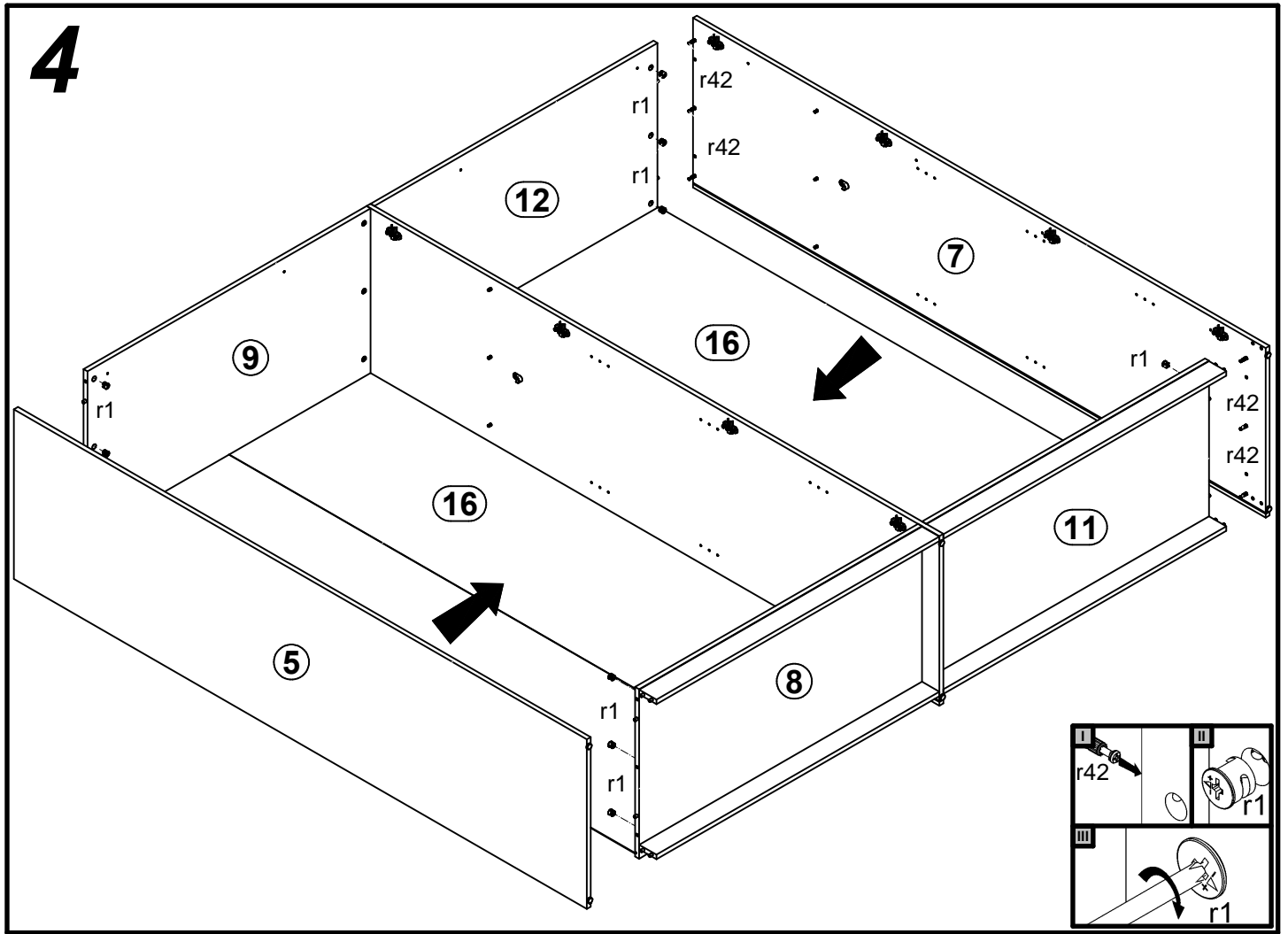


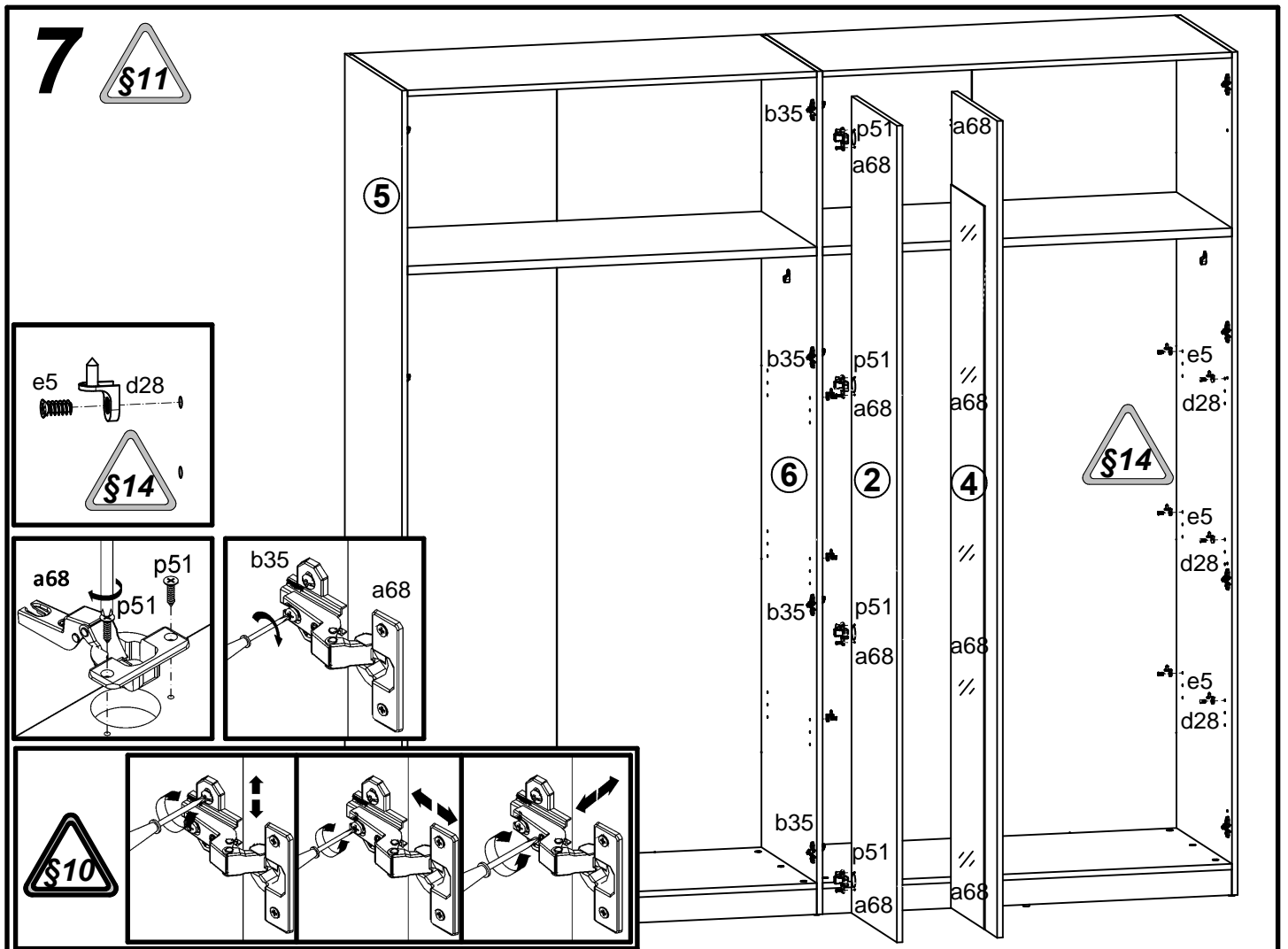
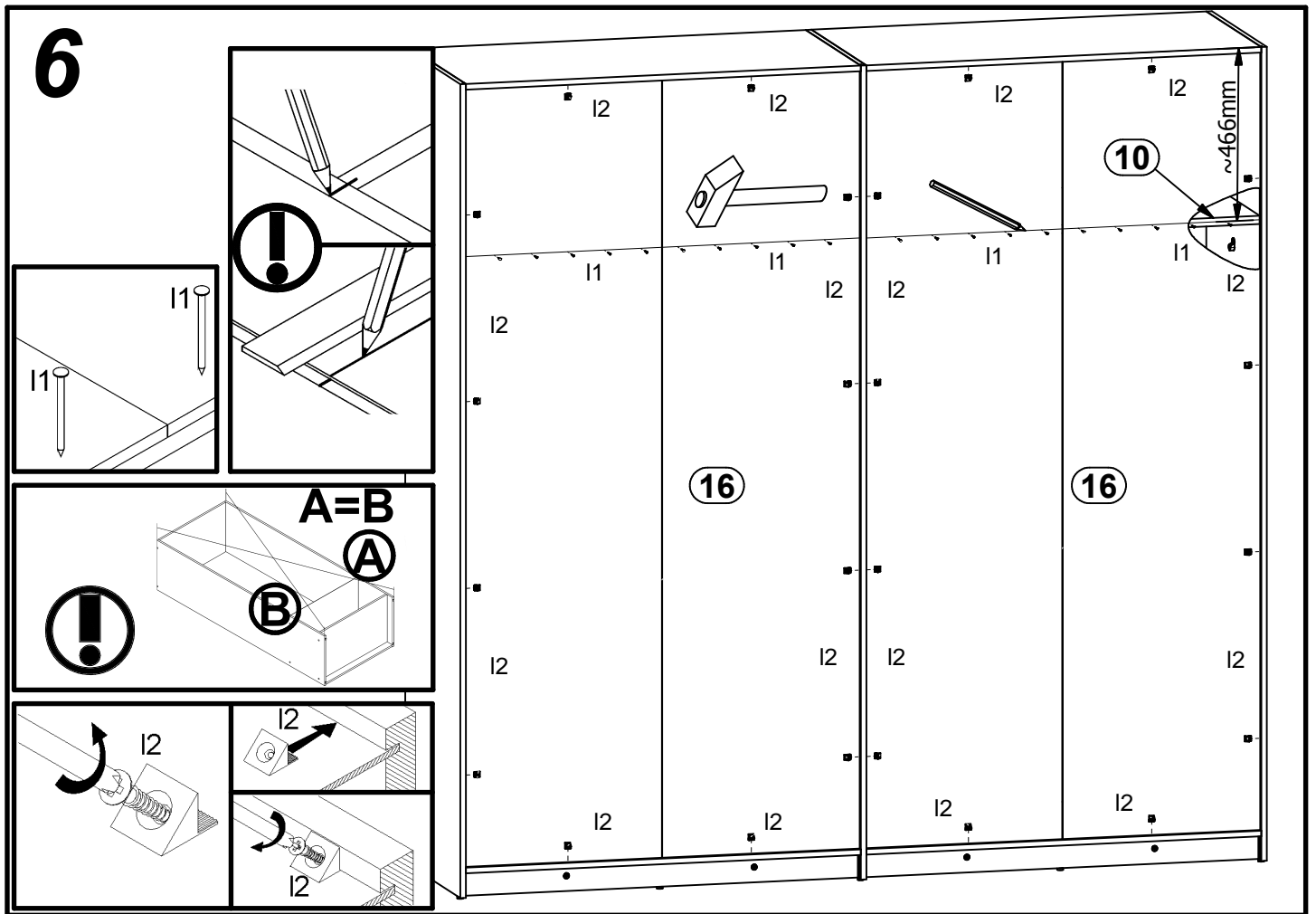
12x d28
12x e5 Ø6.3x13 mm

# 1









# 8

