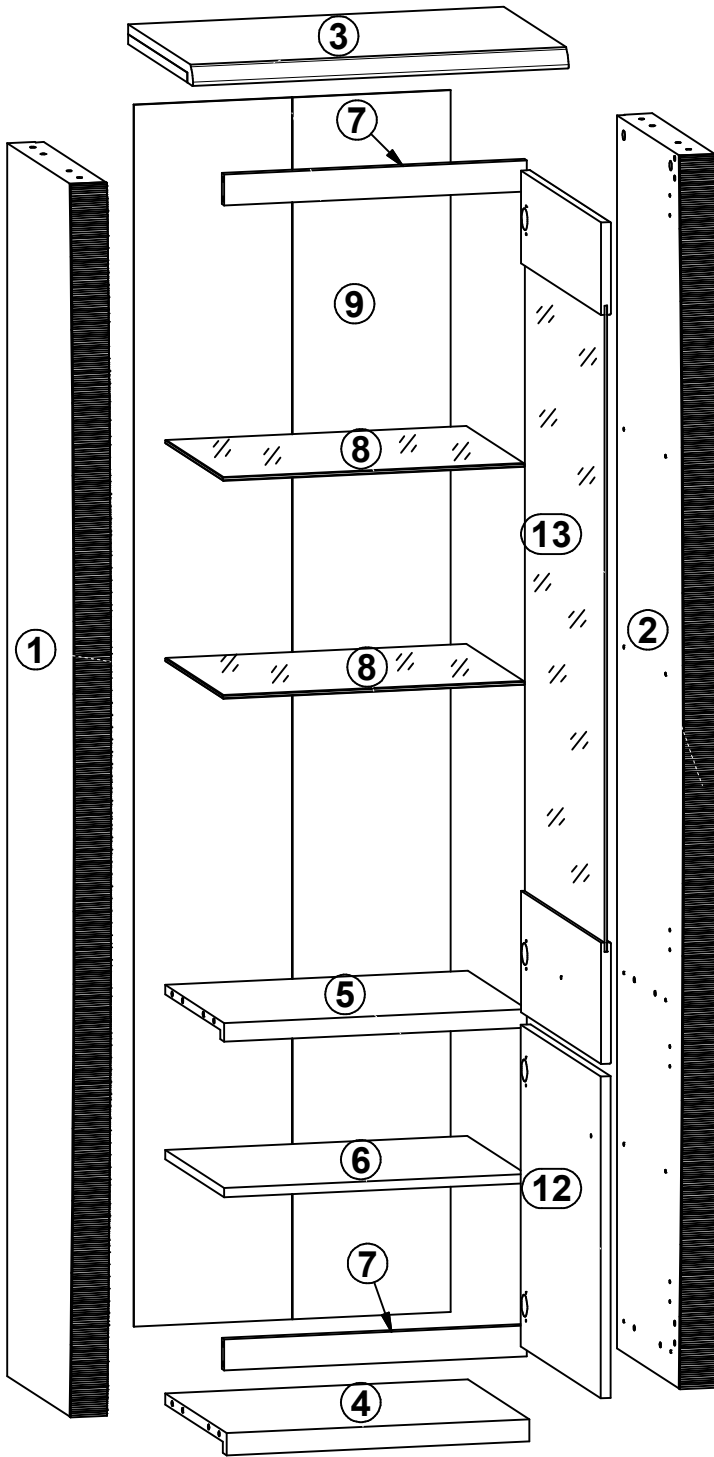


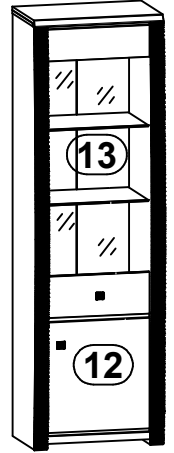
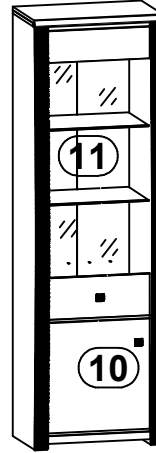
SENEGAL

S175-C/REG1D1W/LP



S175-C/REG1D1W/L

S175-C/REG1D1W/P



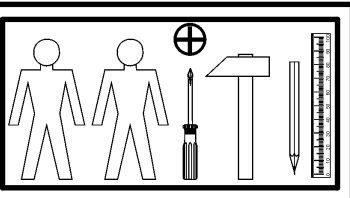
A	B	C	D	
1	S175-119	1992	418	1/5
2	S175-120	1992	418	1/5
3	S175-206	618	398	2/5
4	S175-312	498	377	2/5
5	S175-313	498	362	2/5
6	S175-314	497	361	2/5
7	S175-409	498	50	2/5
8	S175-502	496	354	3/5
9	S175-911	1974	521	1/5

S175-C/REG1D1W/L

A	B	C	D	
10	S175-006	491	520	4/5
11	S175-010	491	1360	5/5

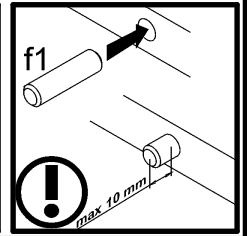
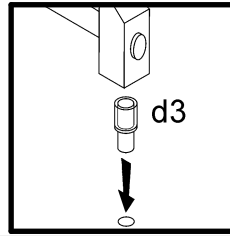
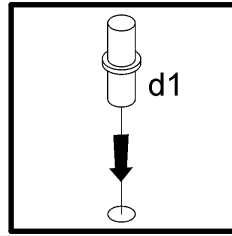
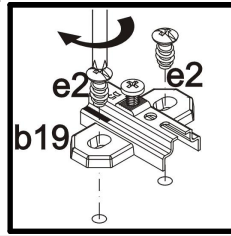
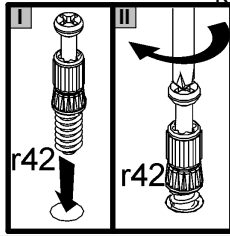
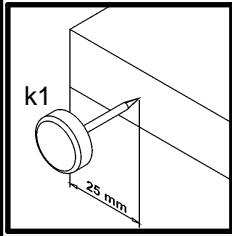
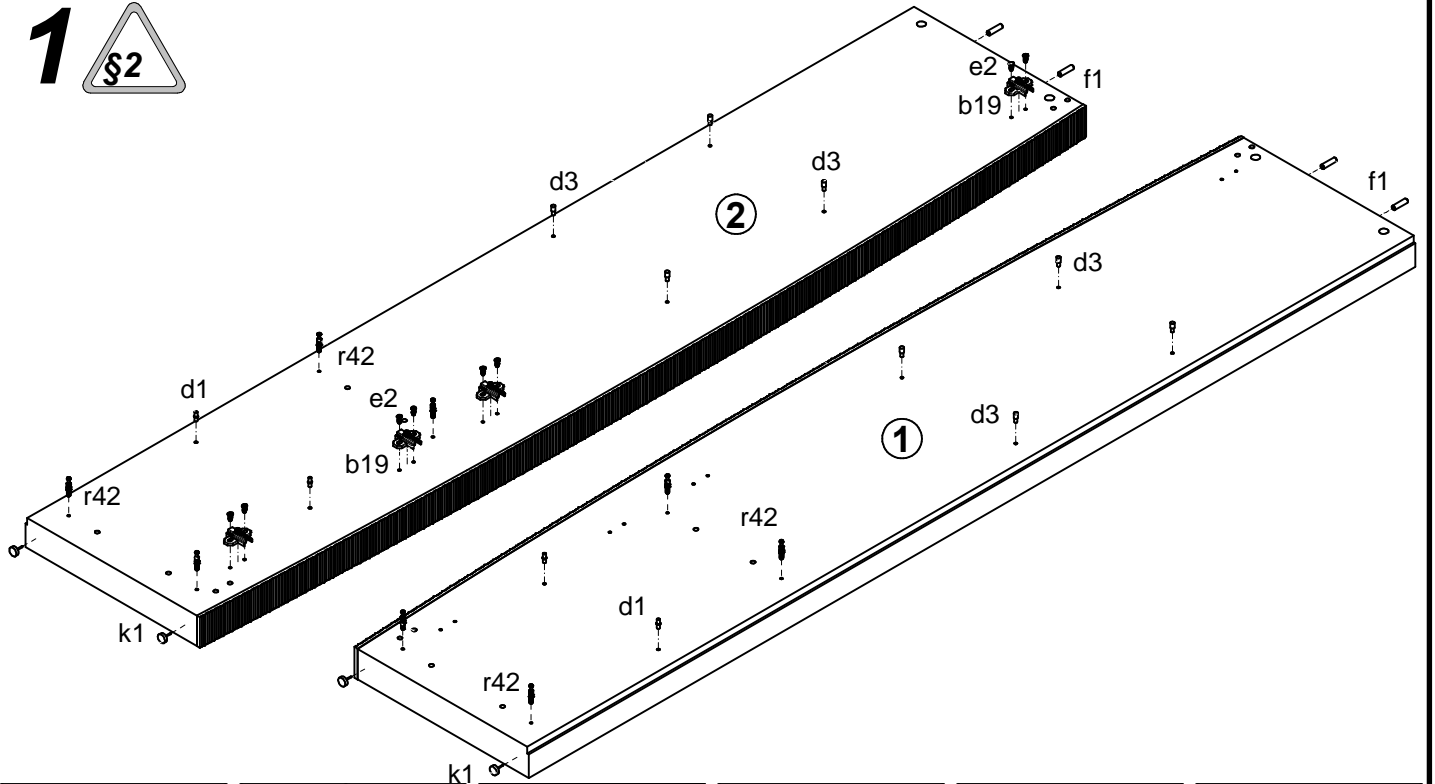
S175-C/REG1D1W/P

A	B	C	D	
12	S175-007	491	520	4/5
13	S175-009	491	1360	5/5

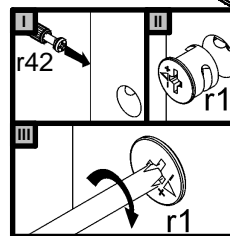
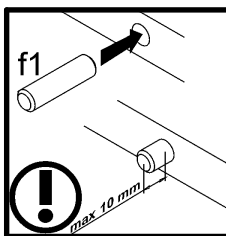
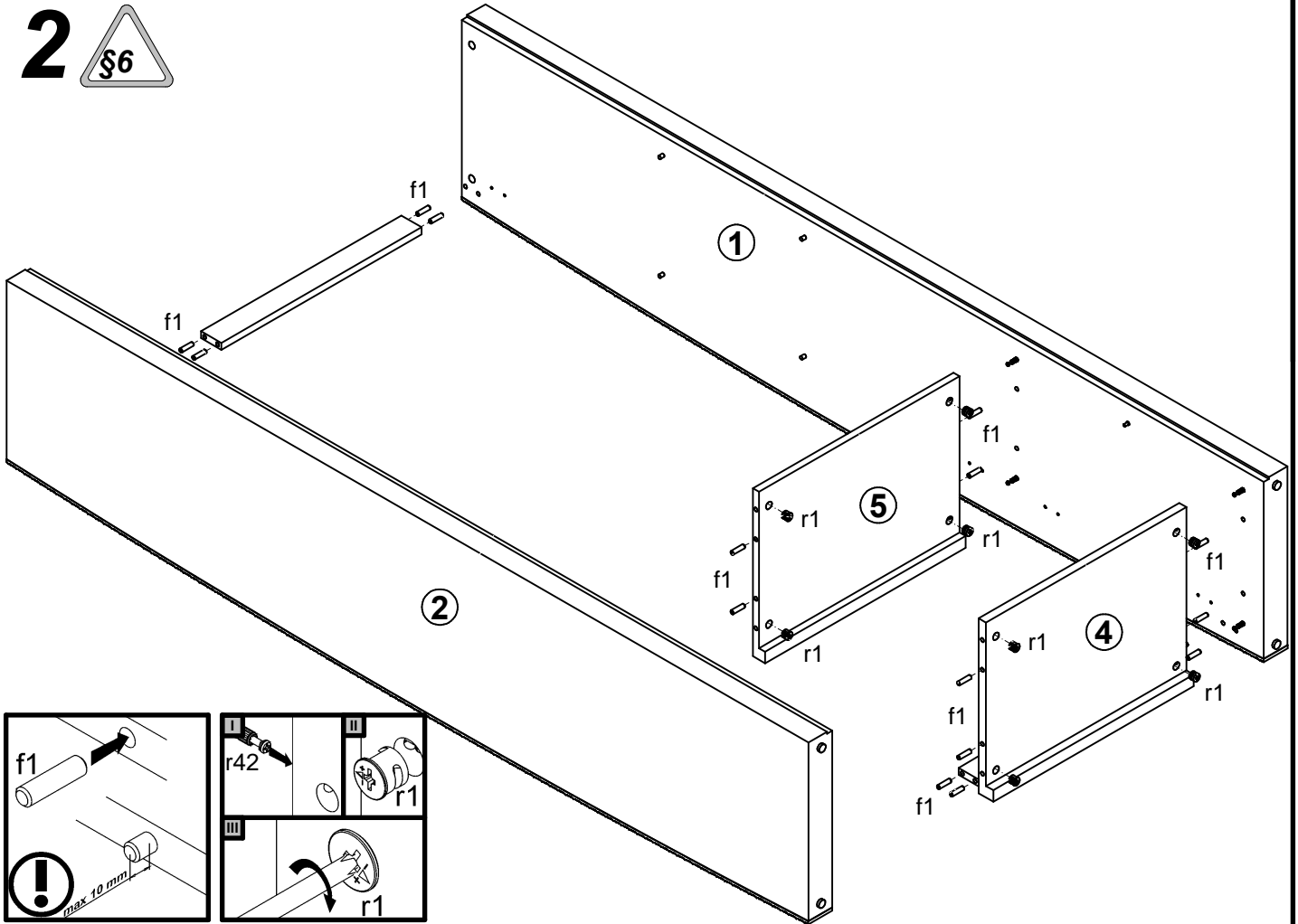


4x a43	4x b19	2x c295/1	2x c295/2	4x d1 Ø5x17 mm	8x d3 Ø5x17 mm	8x e2 Ø6.3x13 mm	20x f1 Ø8x30 mm	2x j60 M4x22 mm
4x k1	60x l1	8x p51 Ø3.5x15 mm	12x r1 Ø15x12 mm #16	12x r42	1x n26/1	1x p38 Ø3.5x16 mm	4x s51 Ø15	

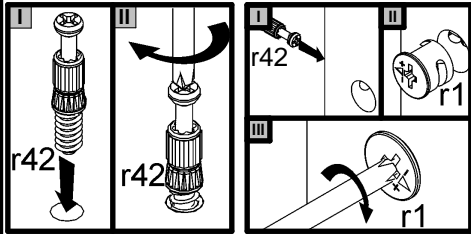
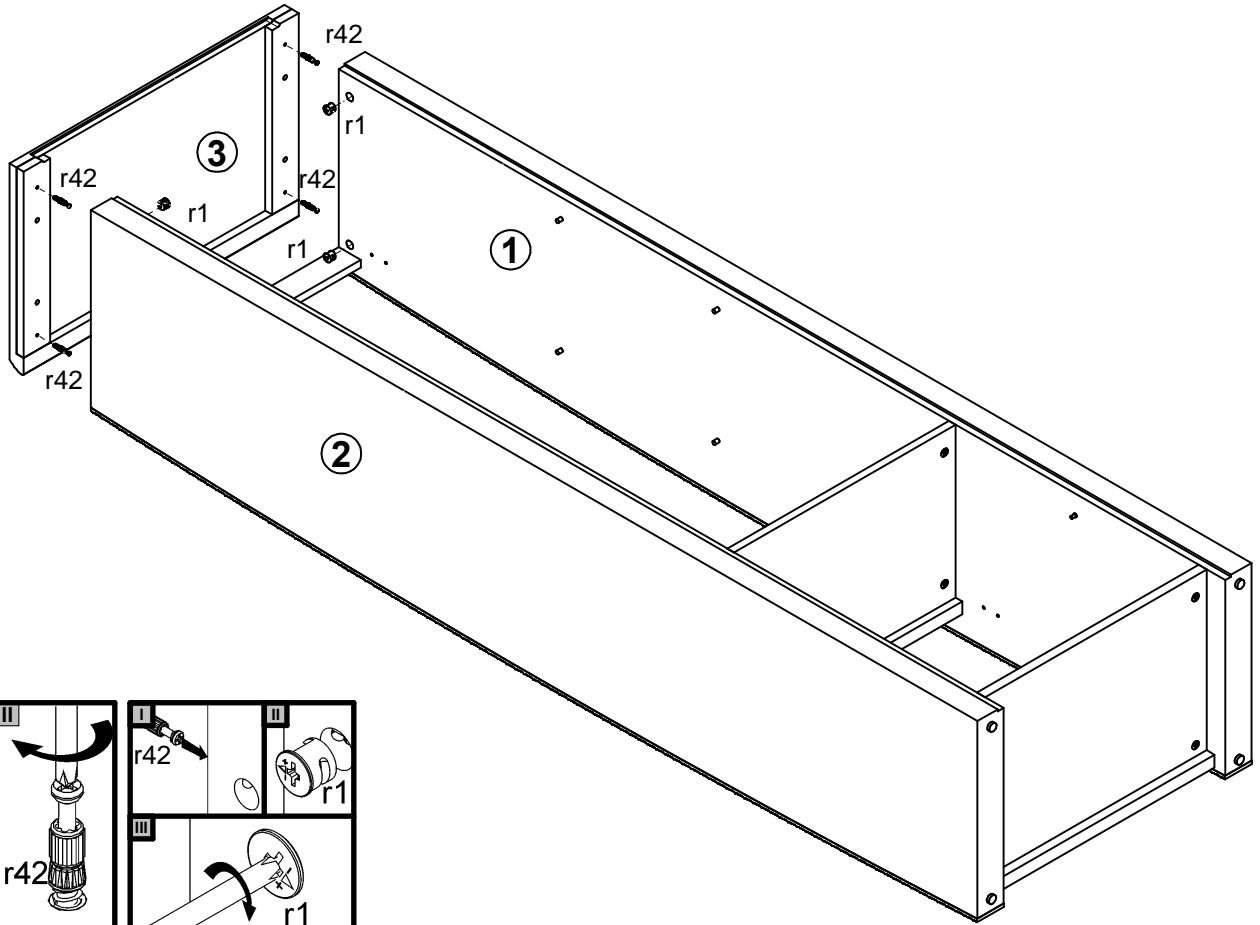
1 §2



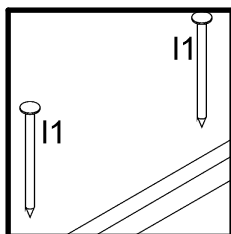
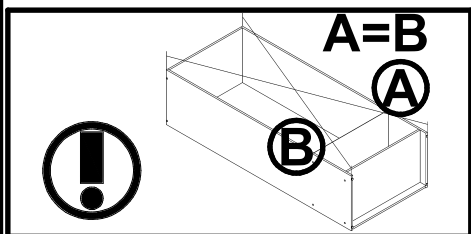
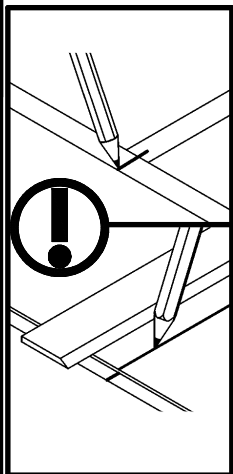
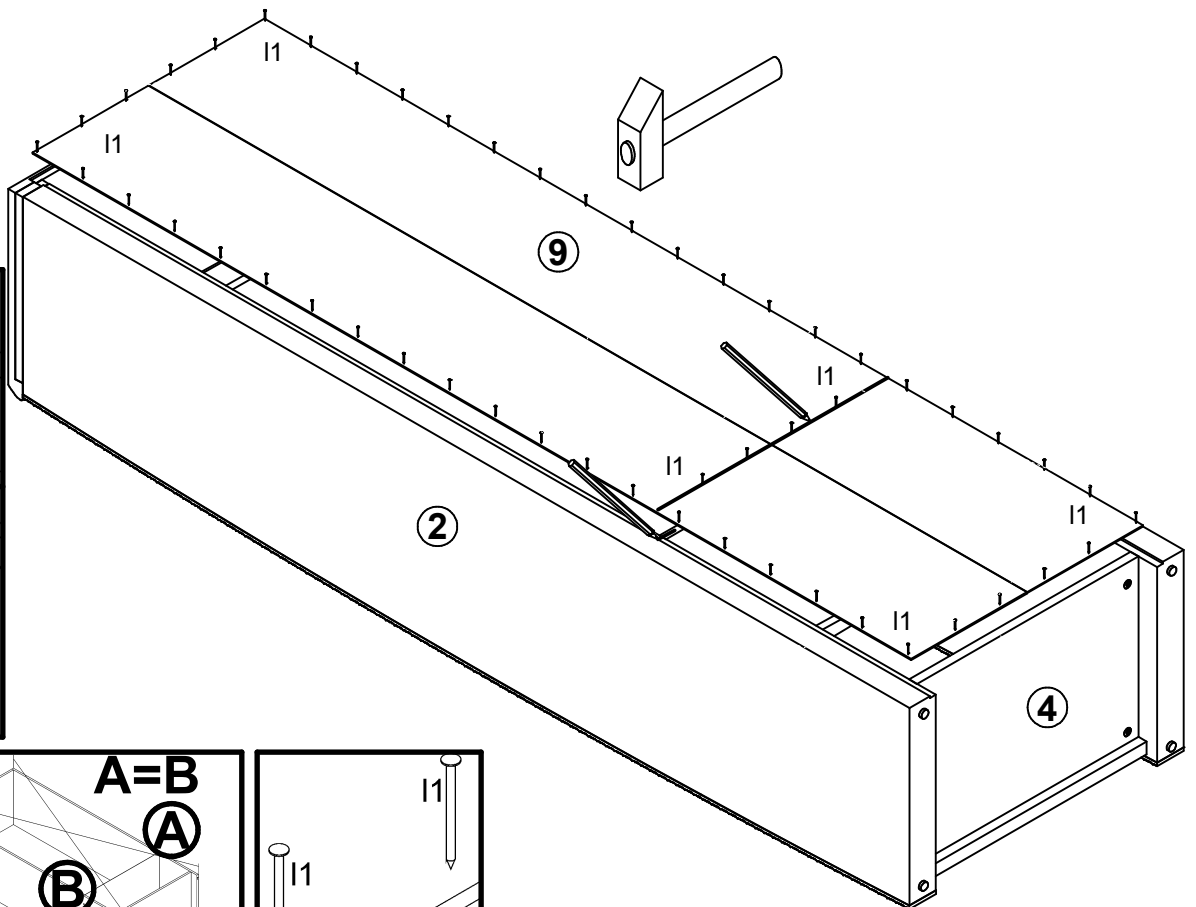
2 §6



3



4



5

