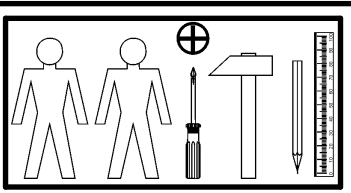
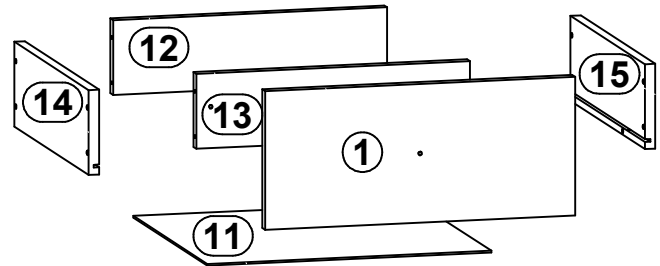
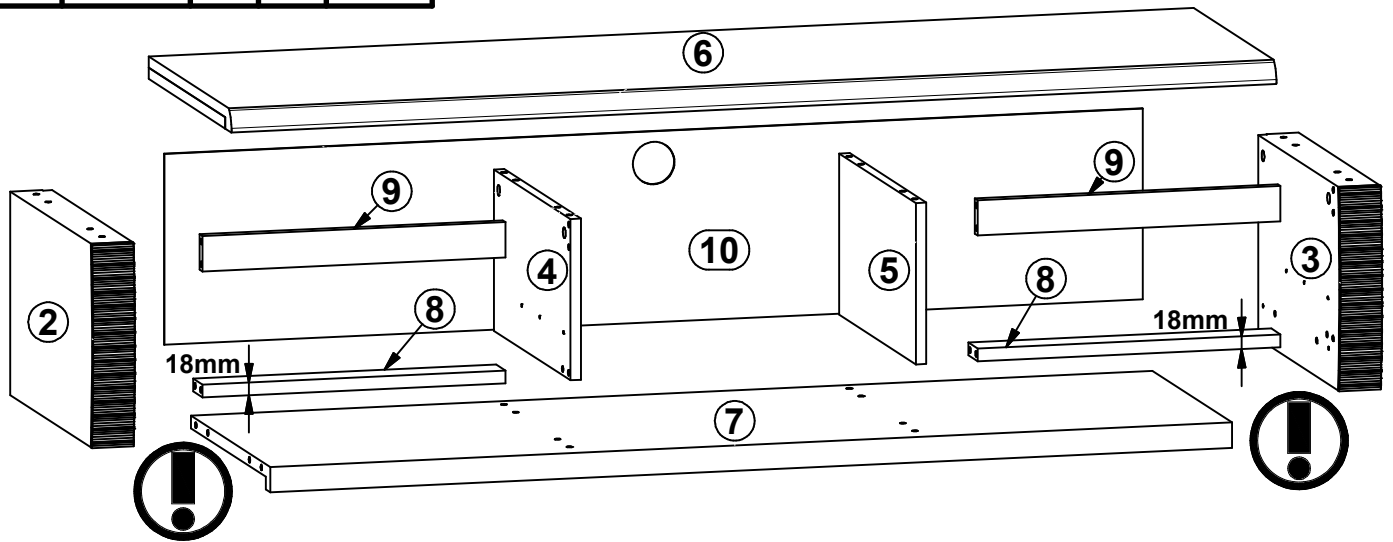
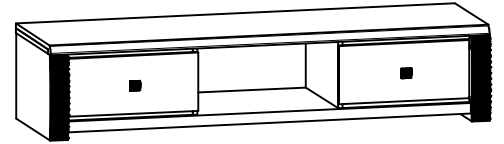


SENEGAL

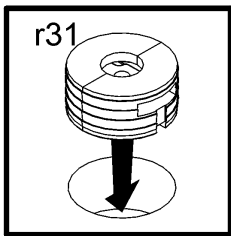
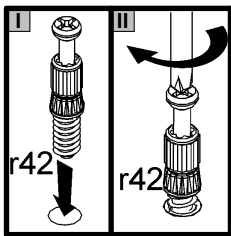
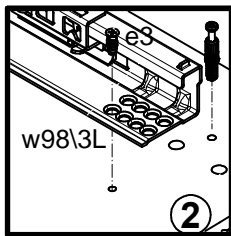
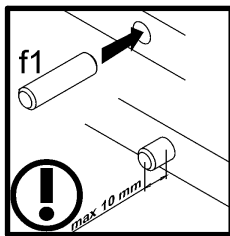
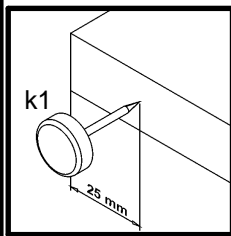
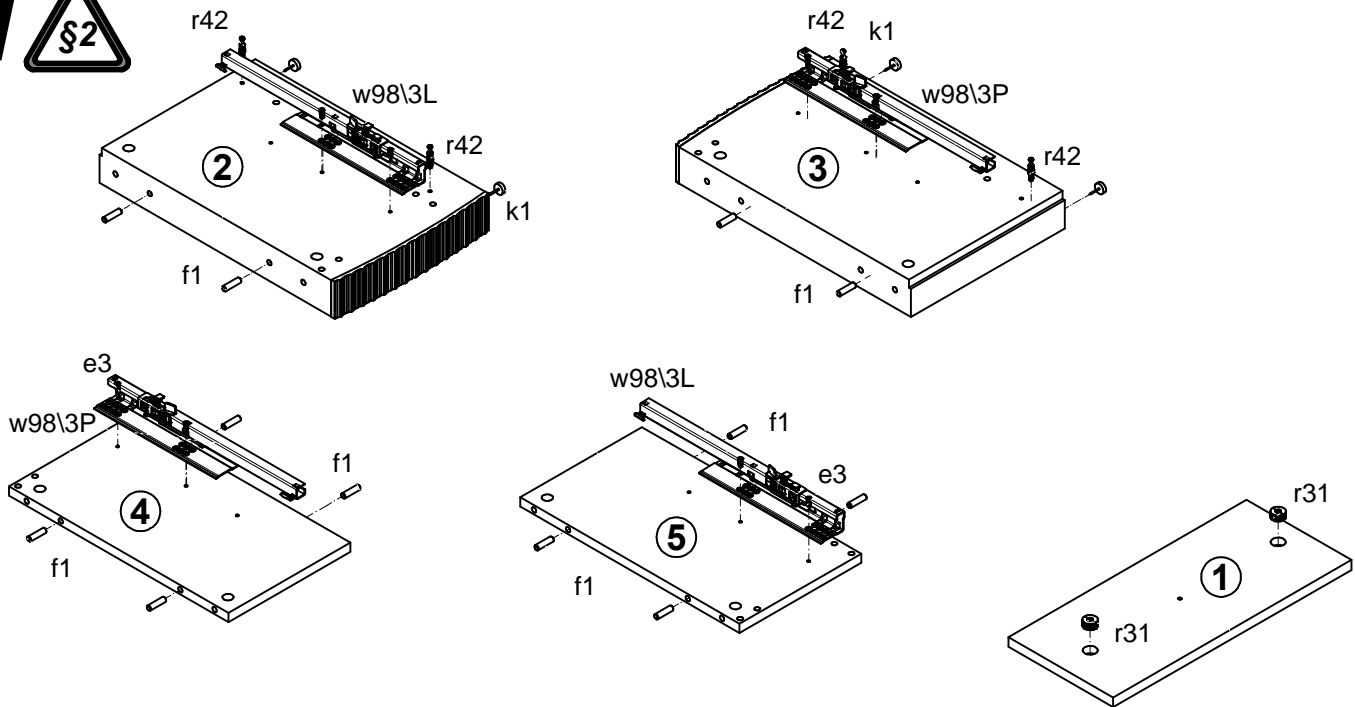
S175-A/RTV2S

A	B	C	D	
1	S175-014	446	196	4/4
2	S175-127	288	449	1/4
3	S175-128	288	449	1/4
4	S175-129	228	411	2/4
5	S175-130	228	411	2/4
6	S175-209	1504	447	2/4
7	S175-319	1384	426	2/4
8	S175-403	436	50	2/4
9	S175-405	436	50	2/4
10	S175-918	270	1408	2/4
11	S175-919	409	398	2/4
12	ZT2-509	394	106	3/4
13	ZT2-510	394	106	3/4
14	ZT2-517	400	120	3/4
15	ZT2-518	400	120	3/4

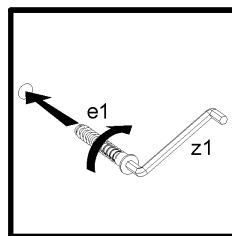
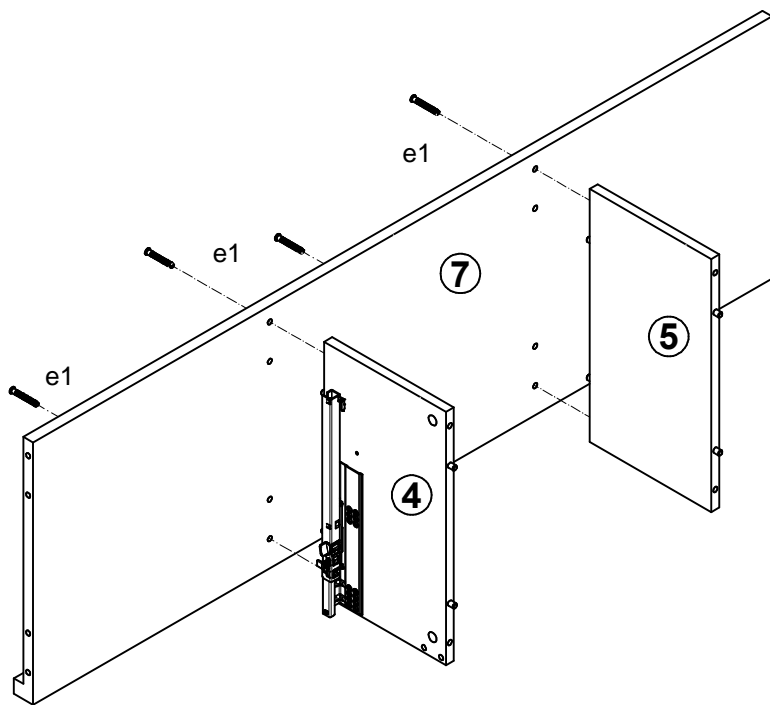


2x c295/1	2x c295/2	4x φ7x50 mm e1	8x φ6x13 mm e3	16x Ø5x50 mm e32	32x φ8x30 mm f1	2x M4x22 mm j60	4x M4x25 mm j8	4x k1
2x k2/1	2x k2/2	40x l1	16x Ø3.5x16 mm p38	12x φ15x12mm #16 r1	4x Ø21x10 mm r31	12x r42	2x 410 mm w98/3L	2x 410 mm w98/3P
1x z1								

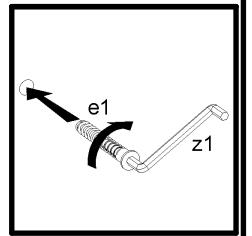
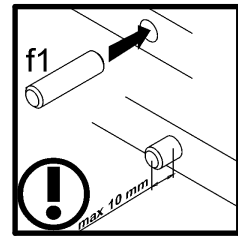
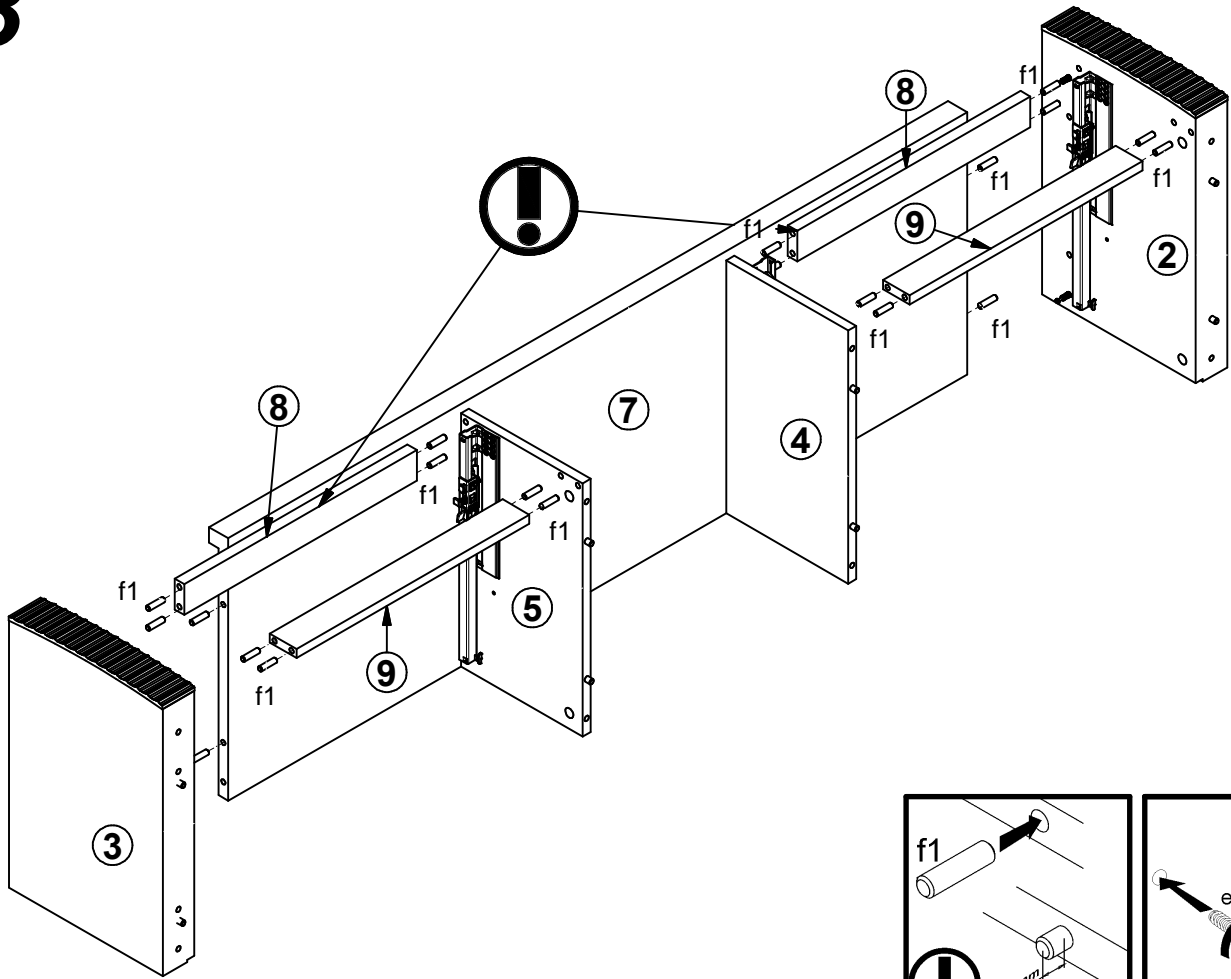
1



2



3



4

