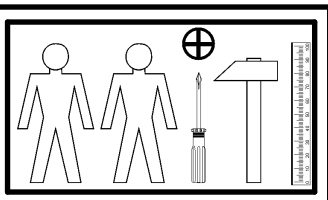
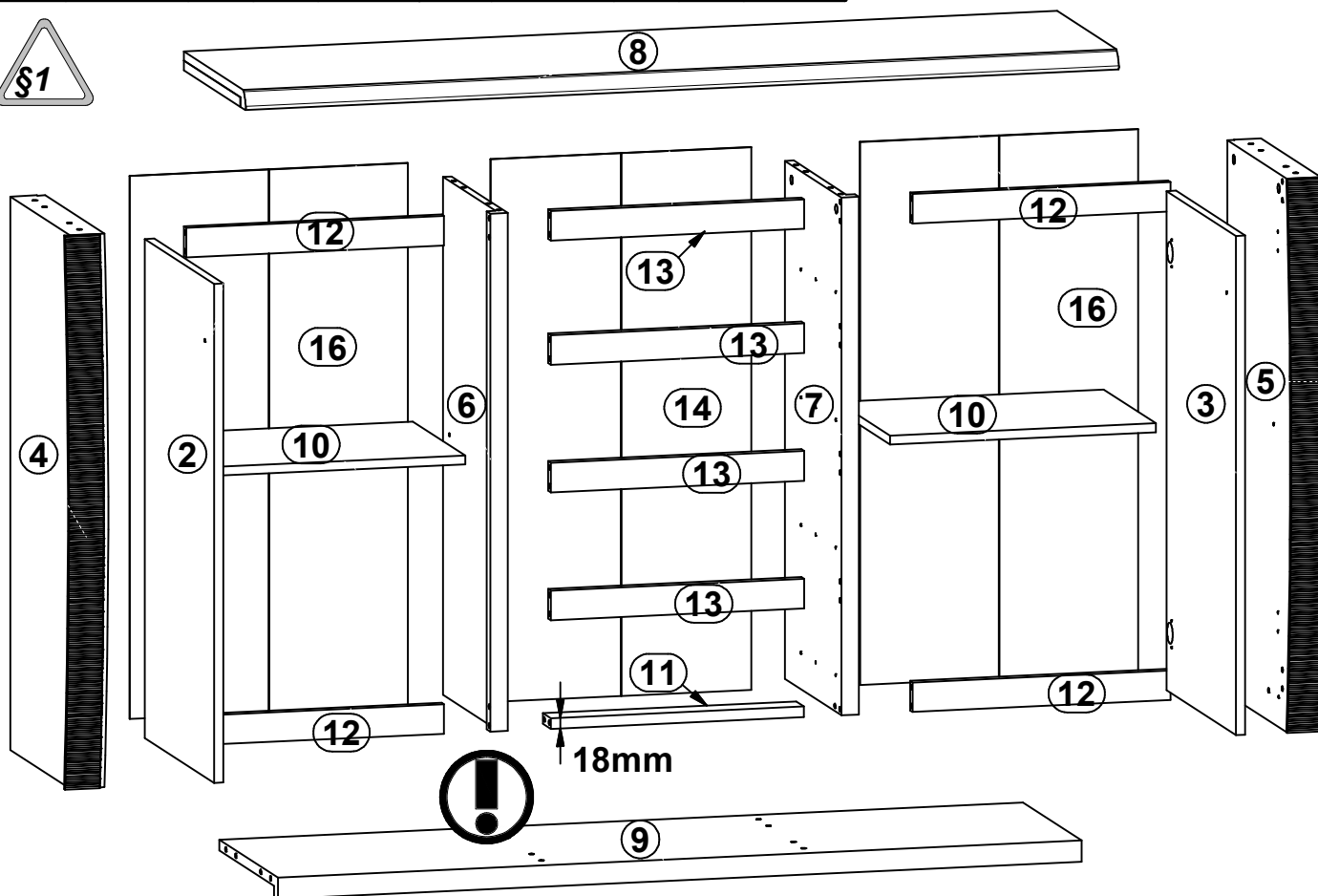
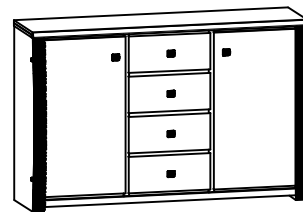


SENEGAL

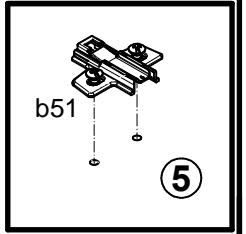
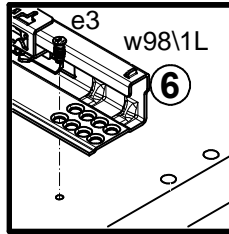
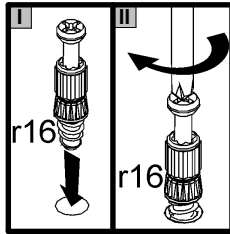
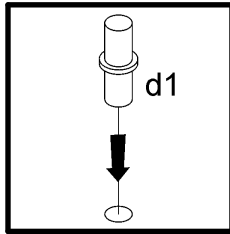
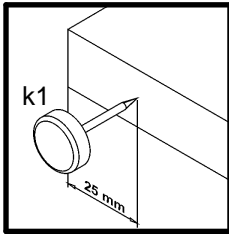
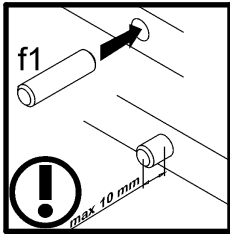
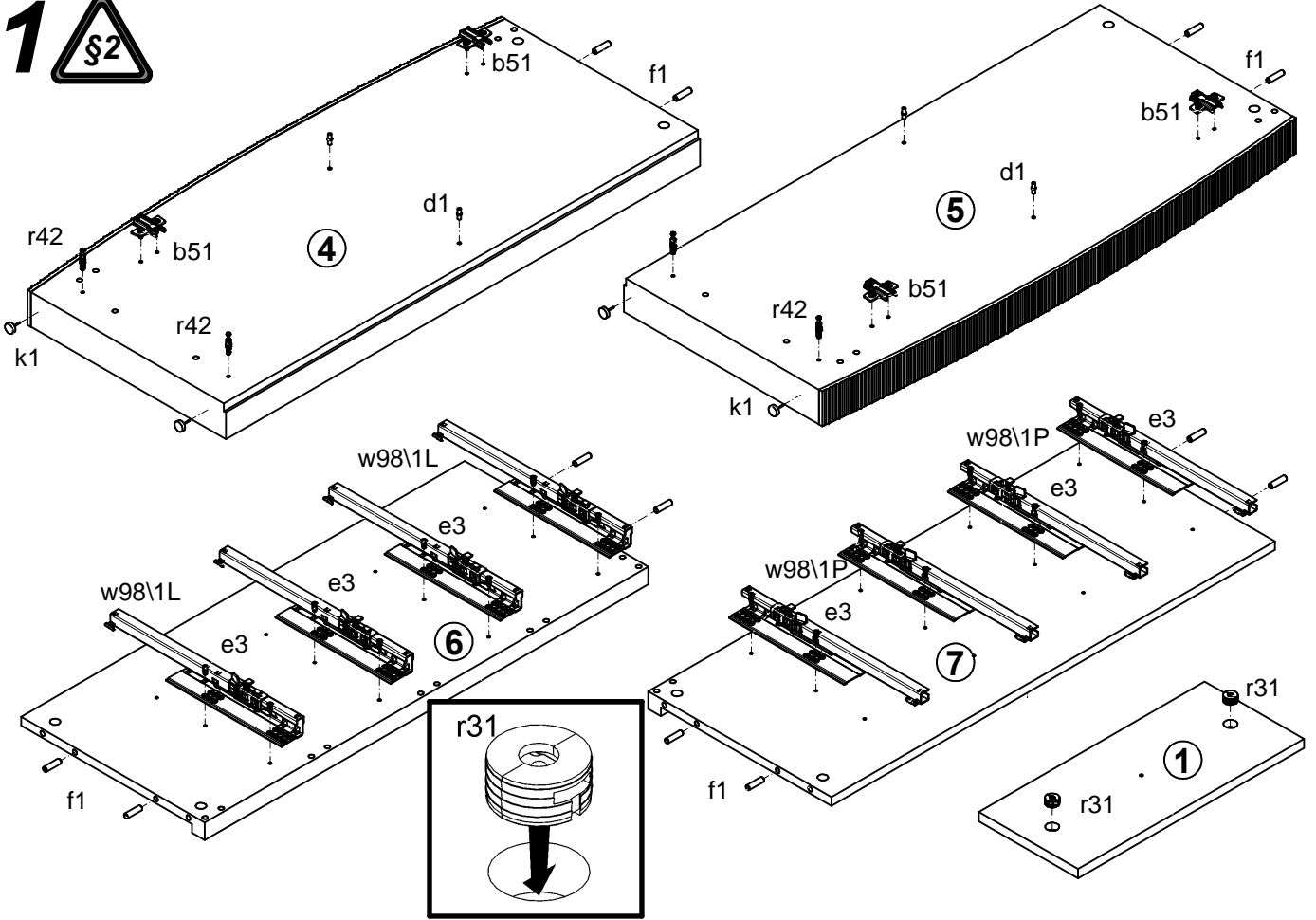
S175-A\KOM2D4S

A	B	C	D	A	B	C	D		
1	S175-004	446	196	4/4	11	S175-403	436	50	2/4
2	S175-005	844	446	4/4	12	S175-404	444	50	2/4
3	S175-008	844	446	4/4	13	S175-405	436	50	2/4
4	S175-105	936	418	1/4	14	S175-905	918	449	2/4
5	S175-106	936	418	1/4	15	S175-906	409	348	2/4
6	S175-107	876	362	1/4	16	S175-907	918	479	2/4
7	S175-108	876	362	1/4	17	ZT2-501	350	120	3/4
8	S175-203	1504	398	2/4	18	ZT2-502	350	120	3/4
9	S175-304	1384	377	2/4	19	ZT2-509	394	106	3/4
10	S175-305	458	336	2/4	20	ZT2-510	394	106	3/4

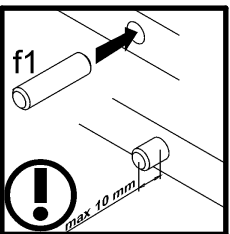
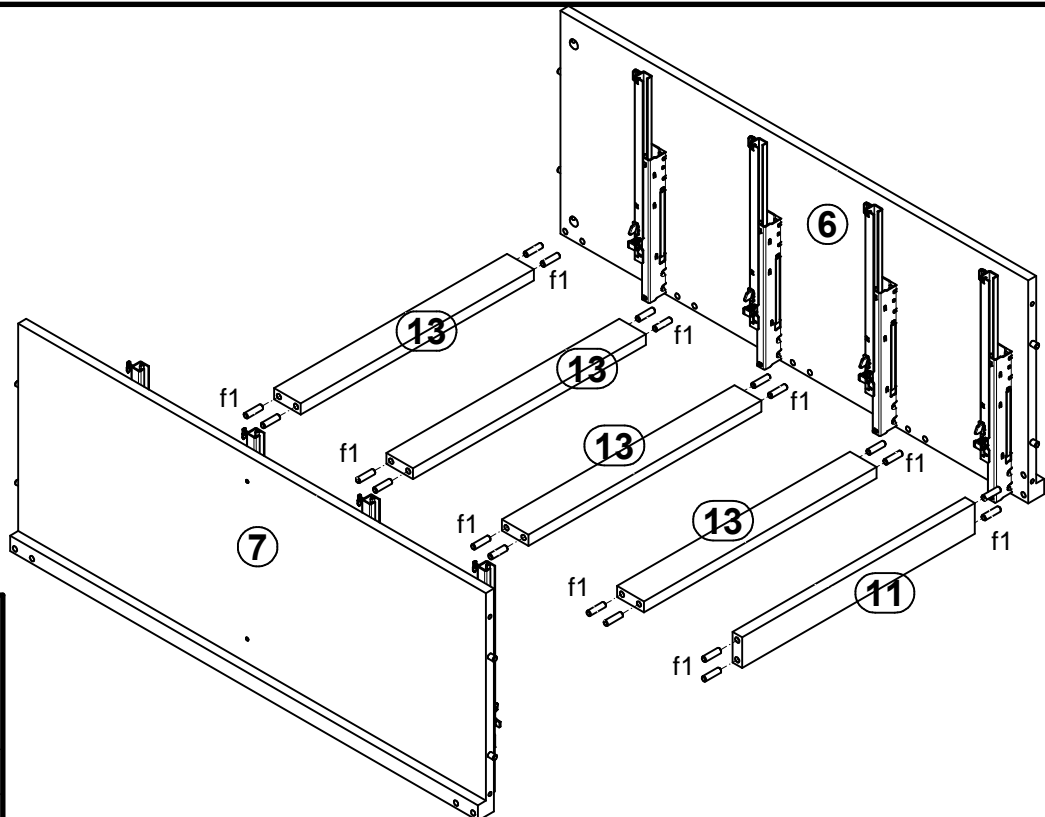


4x a108	4x b51	6x c295\1	6x c295\2	8x d1 ∅5x17 mm	4x e1 ∅7x50 mm	8x e2 ∅6.3x13 mm	16x e3 ∅6x13 mm	32x e32 ∅5x50 mm
52x f1 ∅8x30 mm	6x j60 M4x22 mm	8x j8 M4x25 mm	4x k1	2x k2\1	2x k2\2	100x l1	24x p38 ∅3.5x16 mm	8x p51 ∅3.5x15 mm
12x r1 ∅15x12 mm #16	8x r31 ∅21x10 mm	12x r42	4x w98\1L 360 mm	4x w98\1P 360 mm	1x z1	1x n26\1	1x p38 ∅3.5x16 mm	4x s51 ∅15

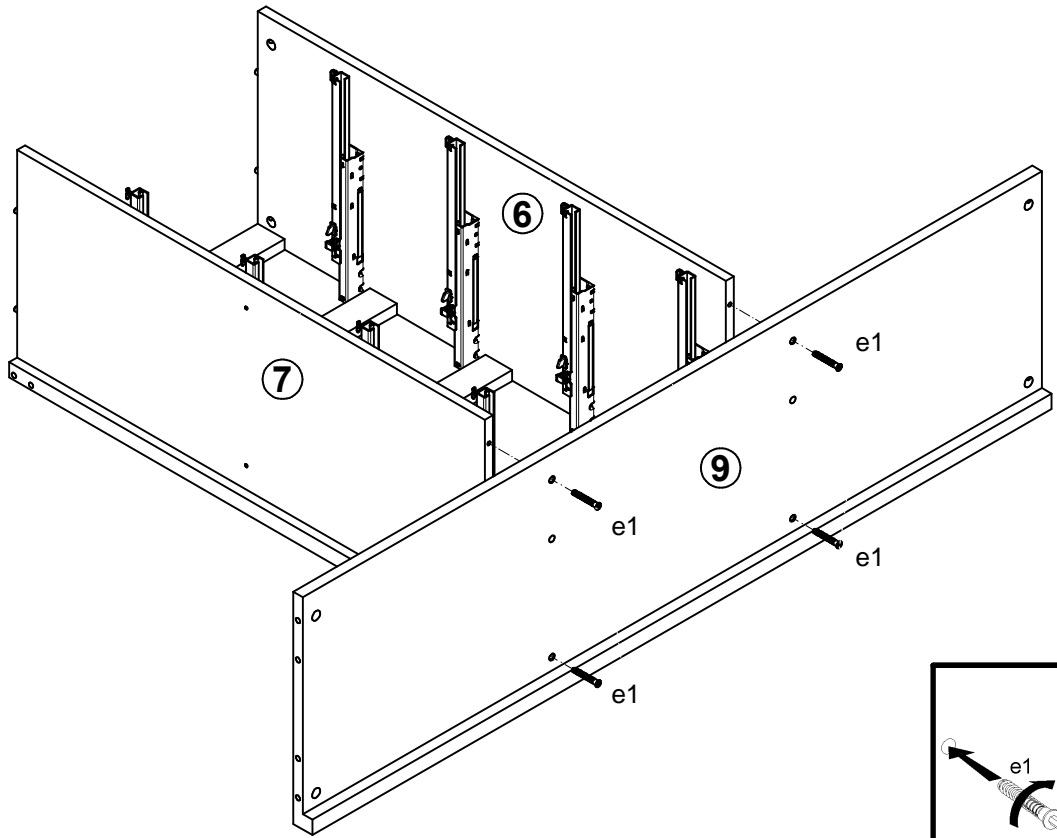
1



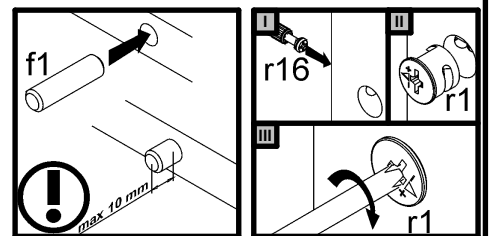
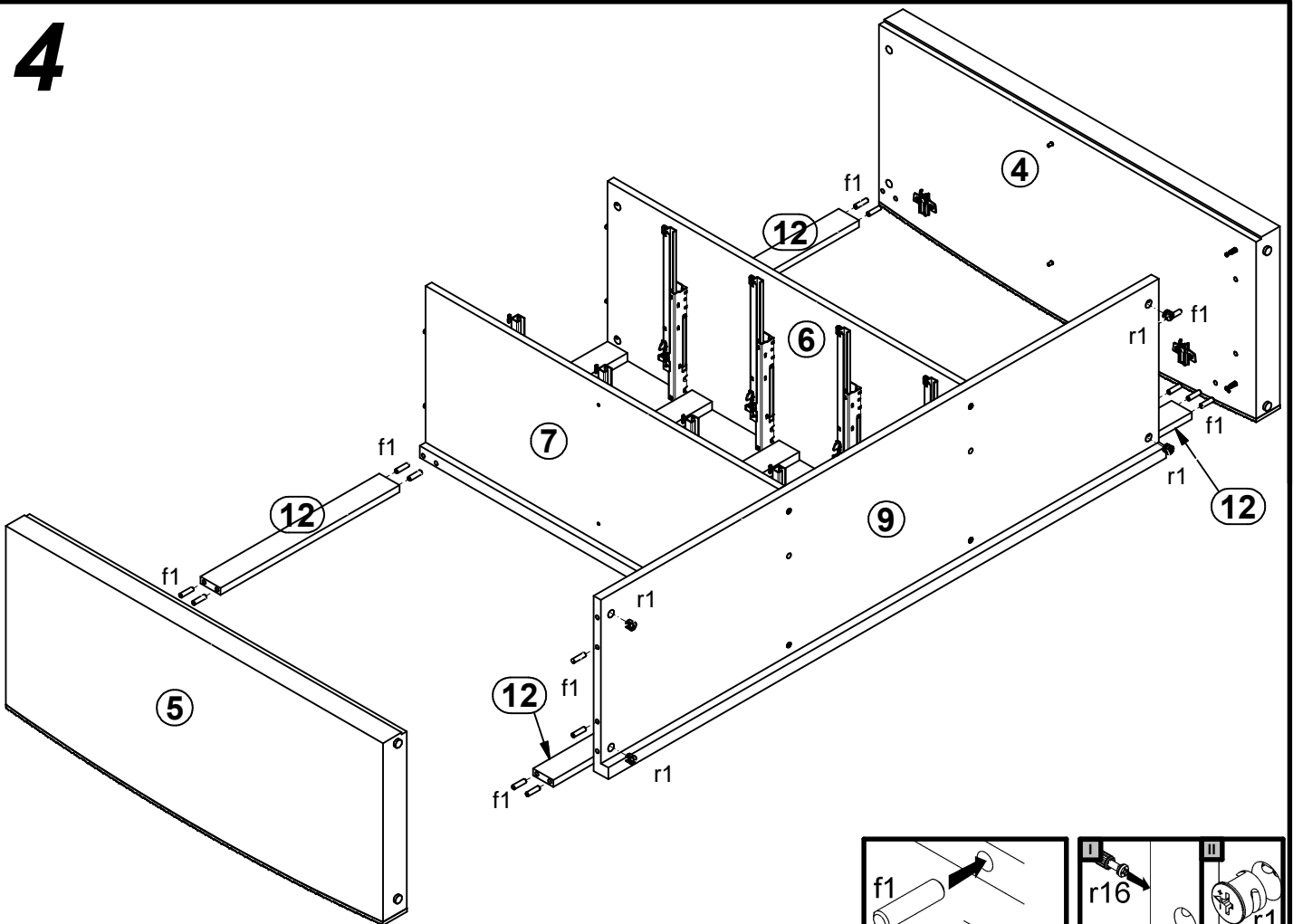
2



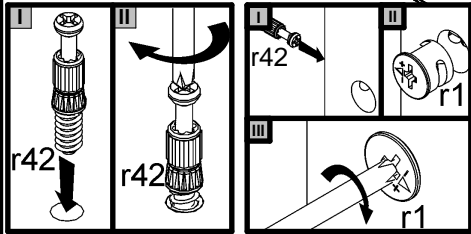
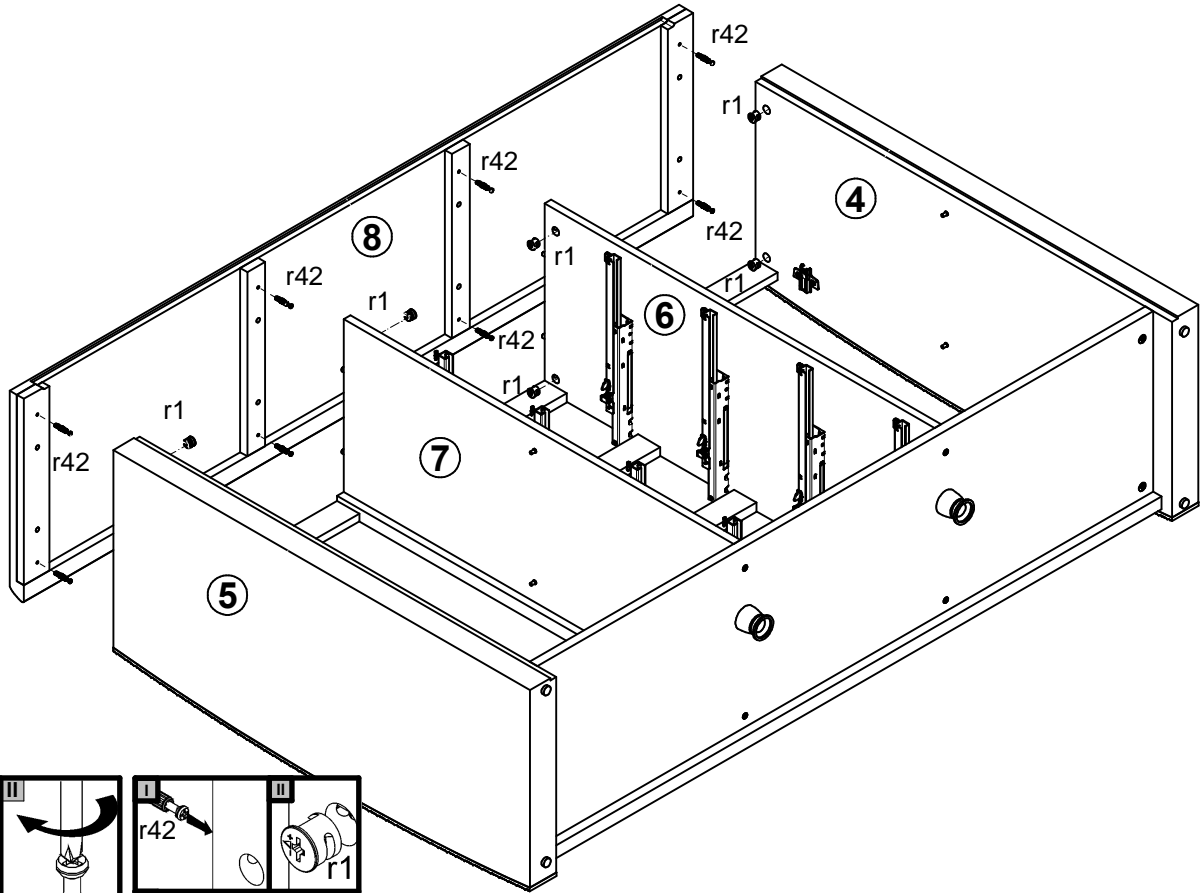
3



4



5



6

