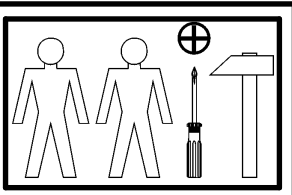
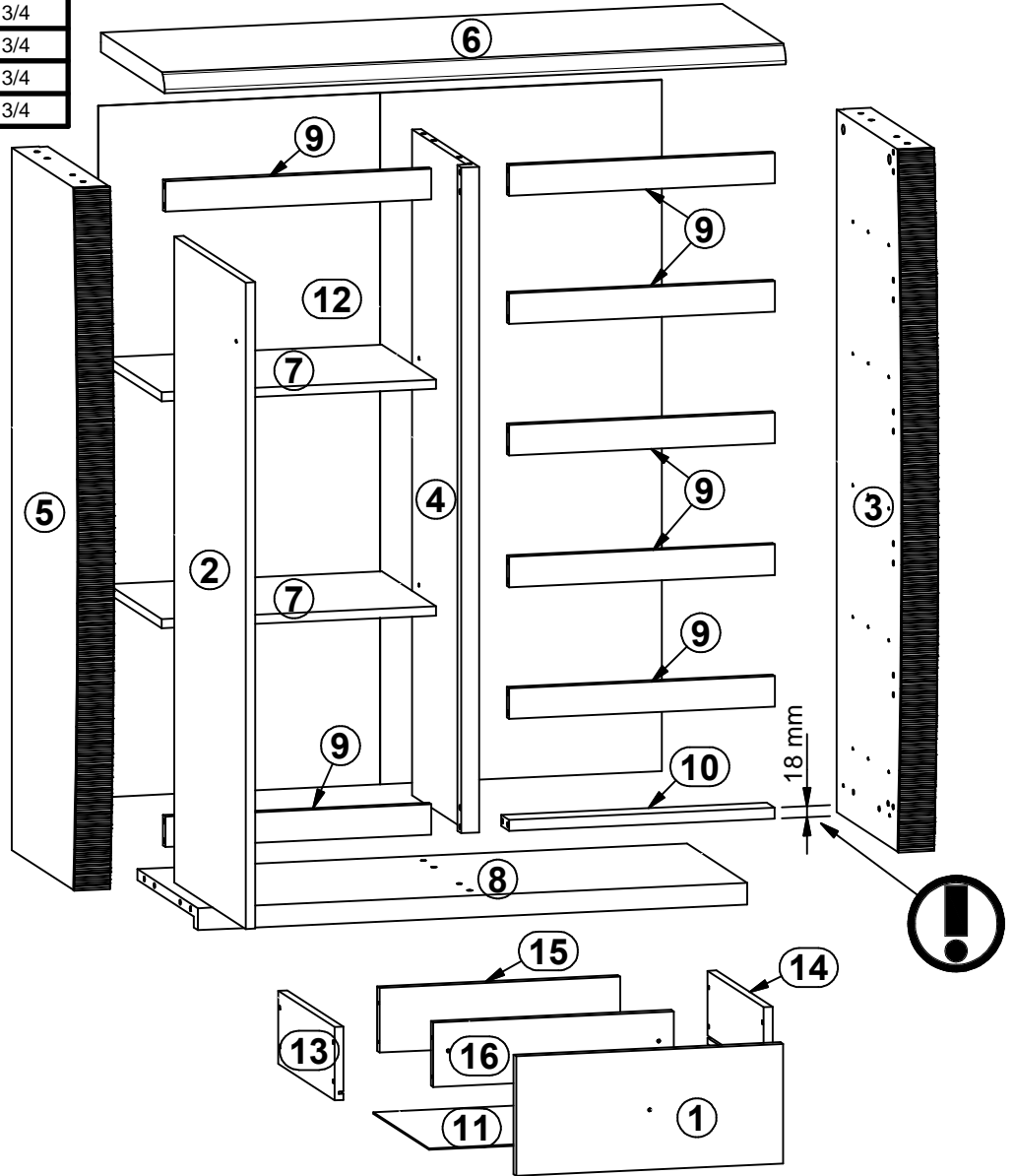
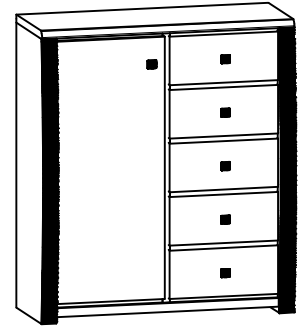


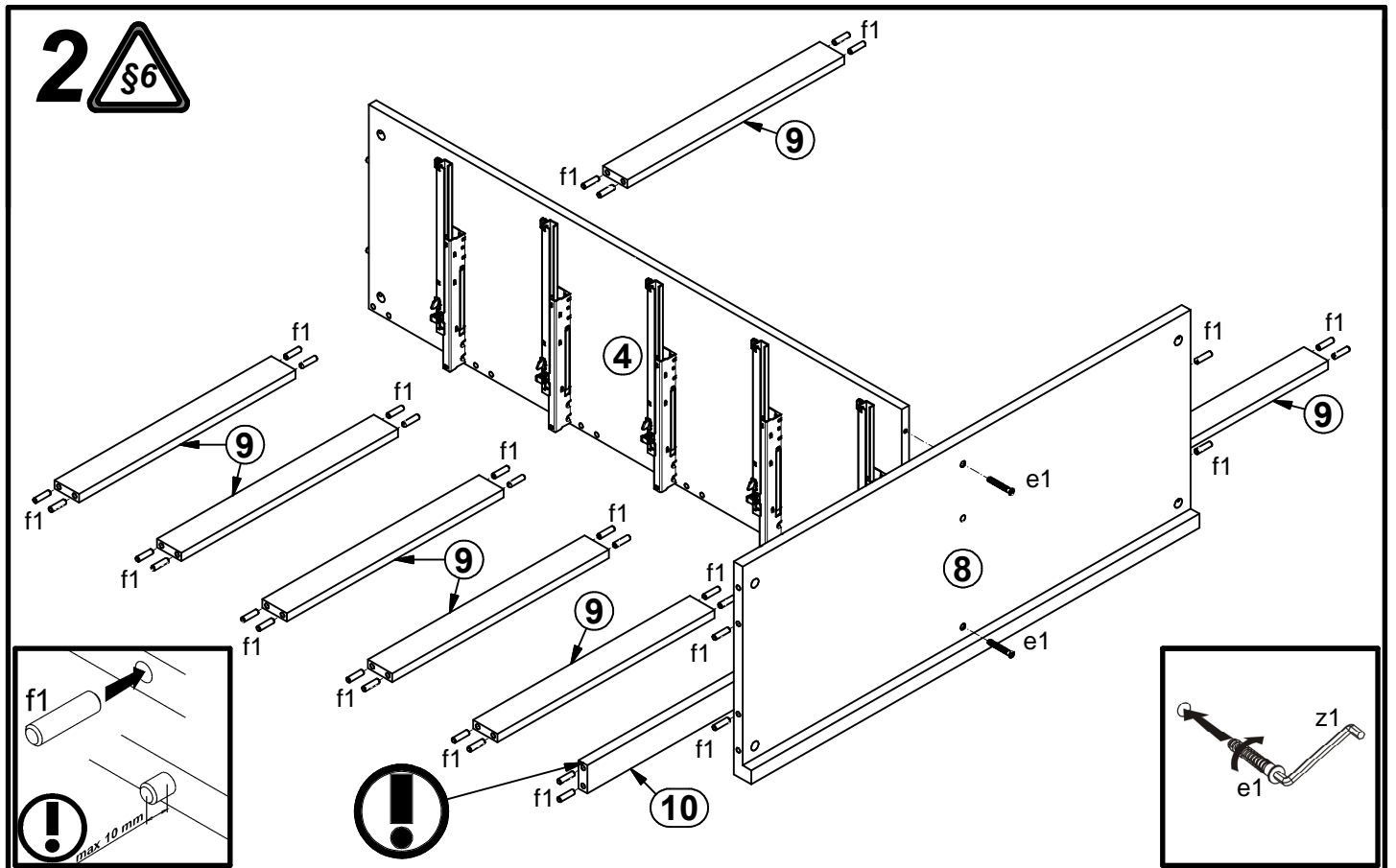
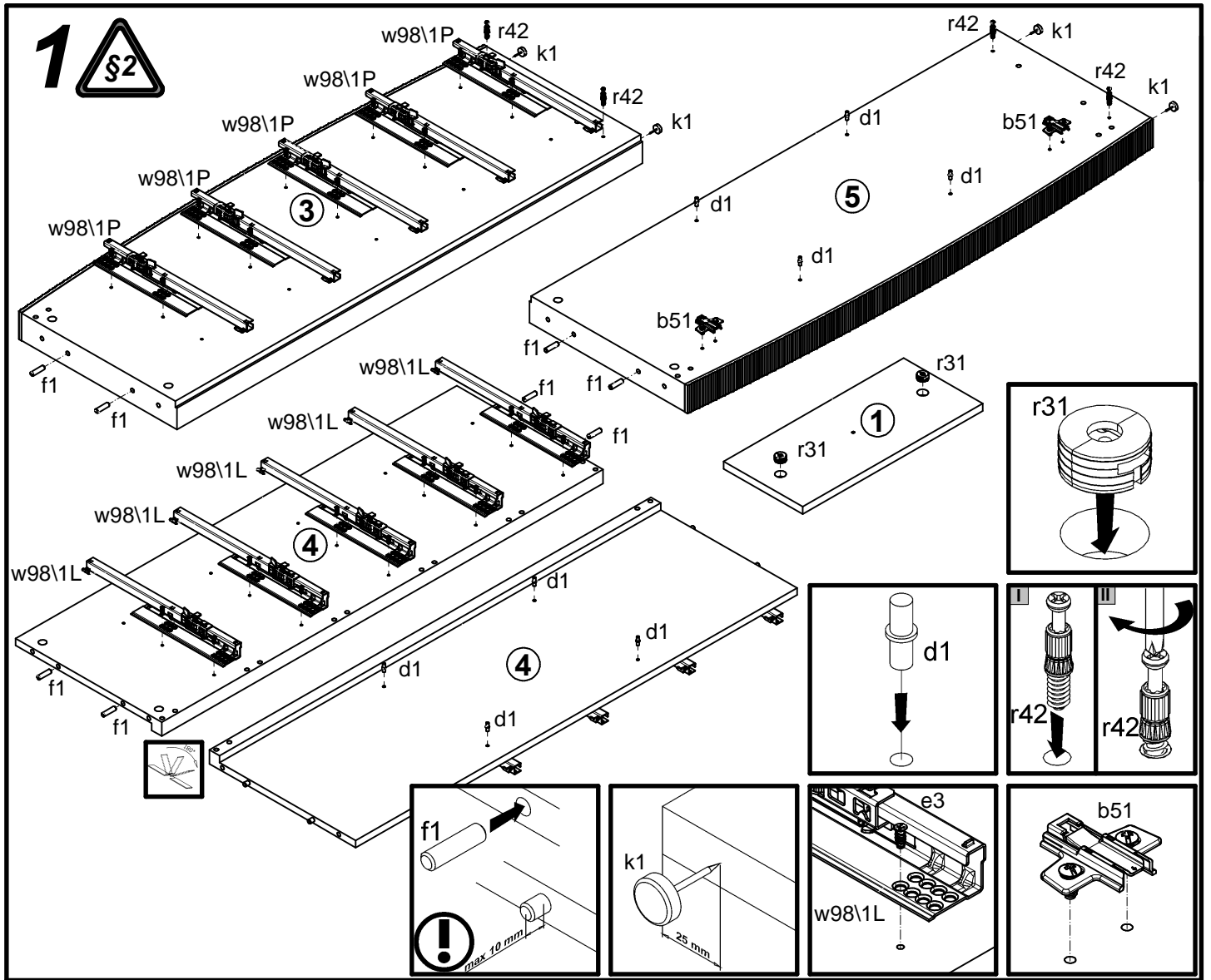
# SENEGAL

# S175-A/KOM1D5S

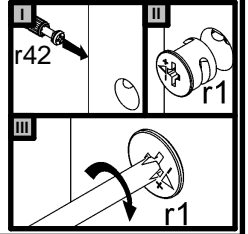
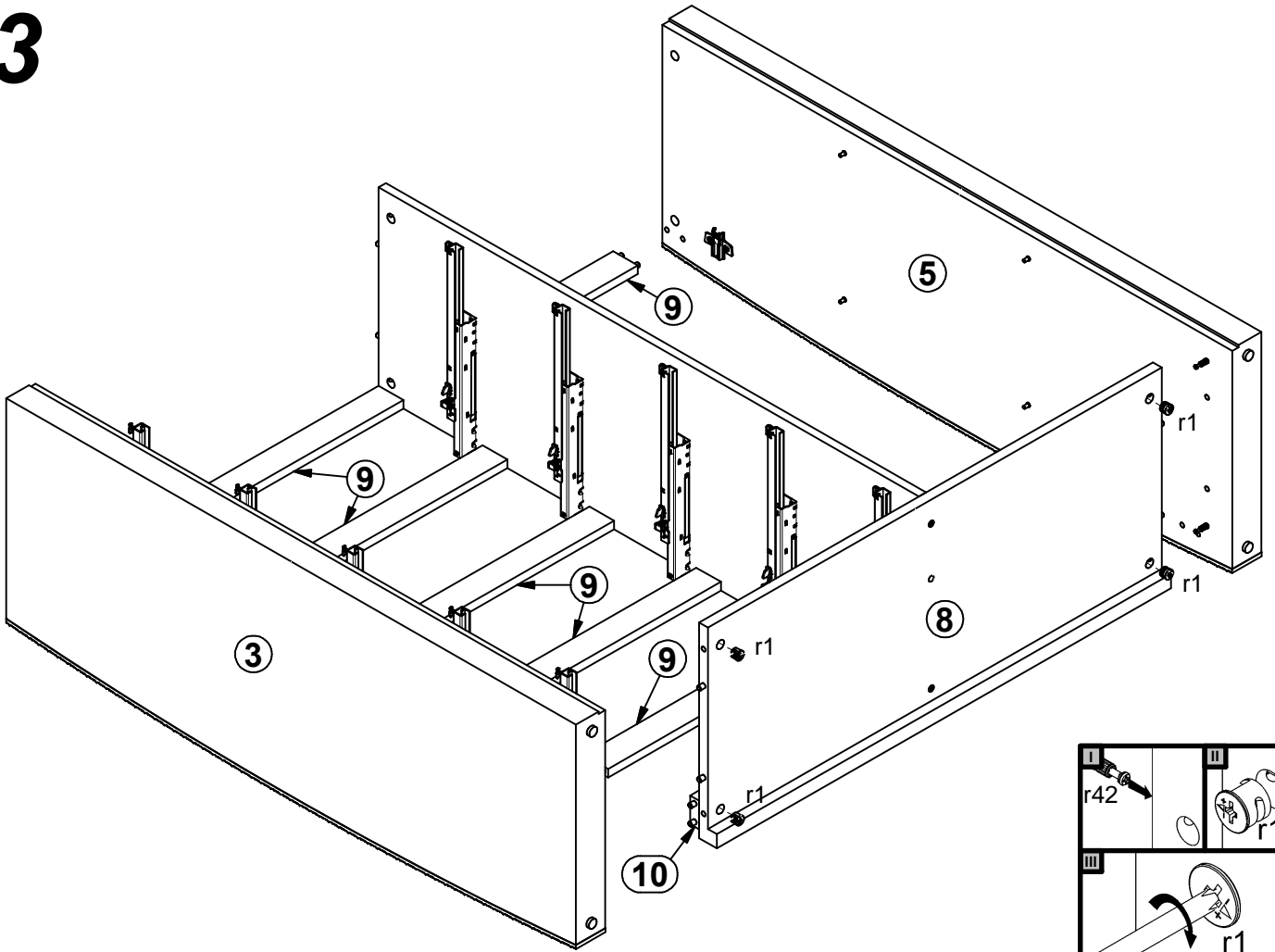
A	B	C	D	
1	S175-012	446	196	4/4
2	S175-013	1060	446	4/4
3	S175-115	1152	418	1/4
4	S175-121	1092	362	2/4
5	S175-122	1152	418	1/4
6	S175-207	1038	398	2/4
7	S175-305	458	336	1/4
8	S175-315	918	377	2/4
9	S175-404	444	50	1/4
10	S175-411	444	50	1/4
11	S175-914	417	348	1/4
12	S175-915	1134	941	1/4
13	ZT2-501	350	120	3/4
14	ZT2-502	350	120	3/4
15	ZT2-513	402	106	3/4
16	ZT2-514	402	106	3/4



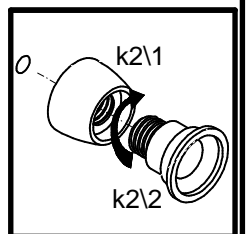
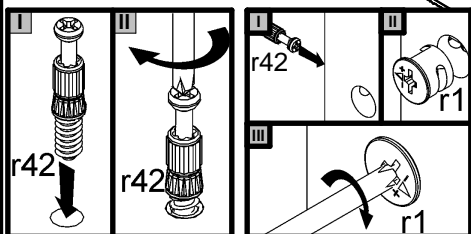
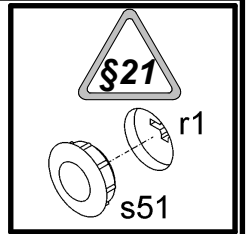
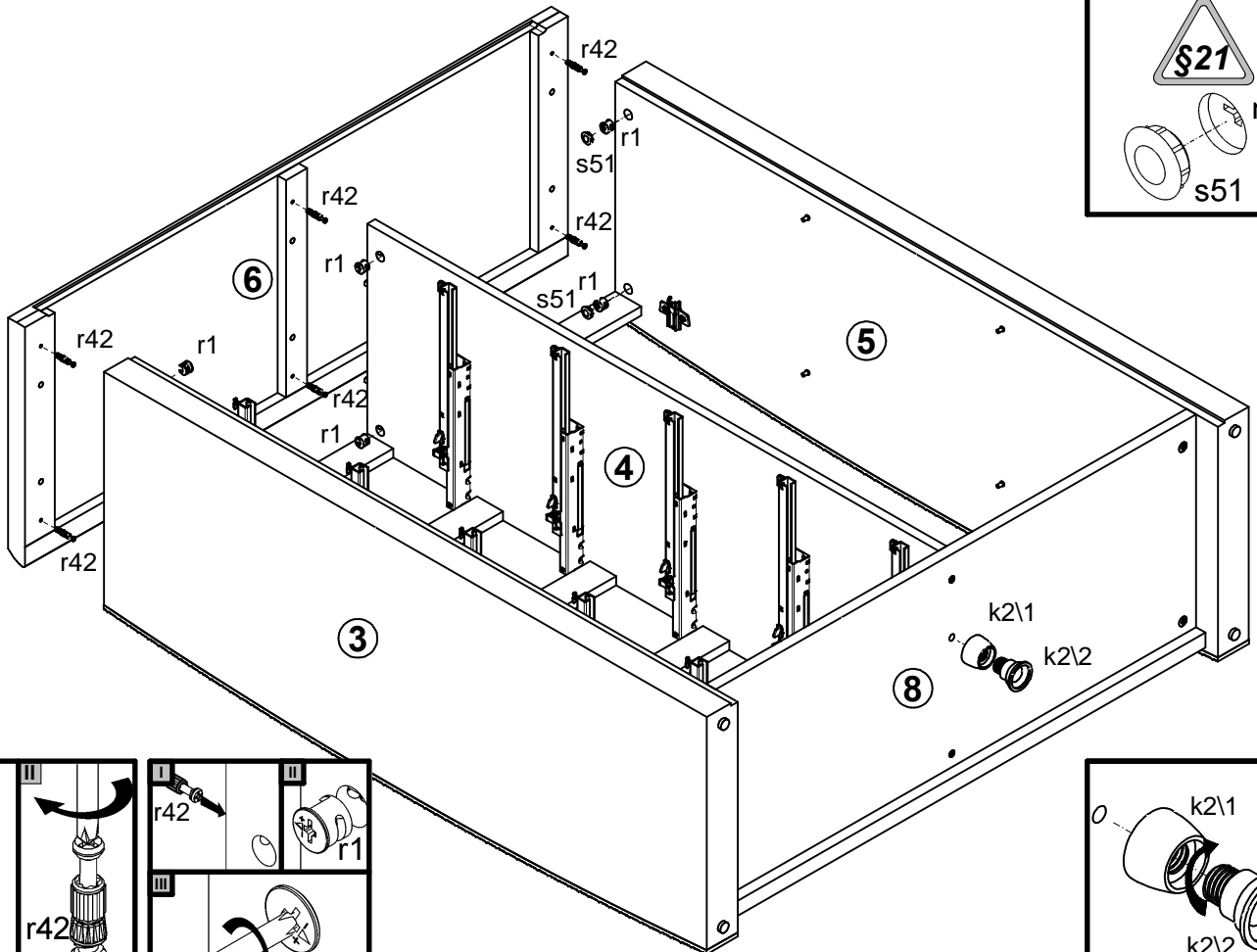
2x a108	2x b51	6x c295/1	6x c295/2	8x d1 Ø5x17 mm	2x e1 Ø7x50 mm	20x e3 Ø6x13 mm	40x e32 Ø5x50 mm	44x f1 Ø8x30 mm
6x j60 M4x22 mm	10x j8 M4x25 mm	4x k1	1x k2/1	1x k2/2	65x l1	40x p38 Ø3,5x16 mm	4x p51 Ø3,5x15 mm	10x r1 Ø1,5x12 mm #16
10x r31 Ø21x10 mm	10x r42	5x w98/1L 360 mm	5x w98/1P 360 mm	2x s51 Ø15	1x z1	1x n26/1	1x p38 Ø3,5x16 mm	



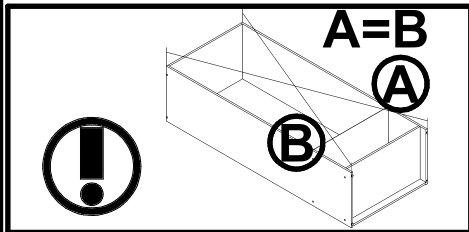
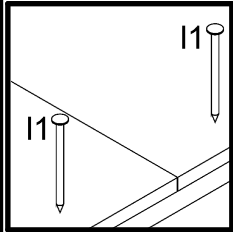
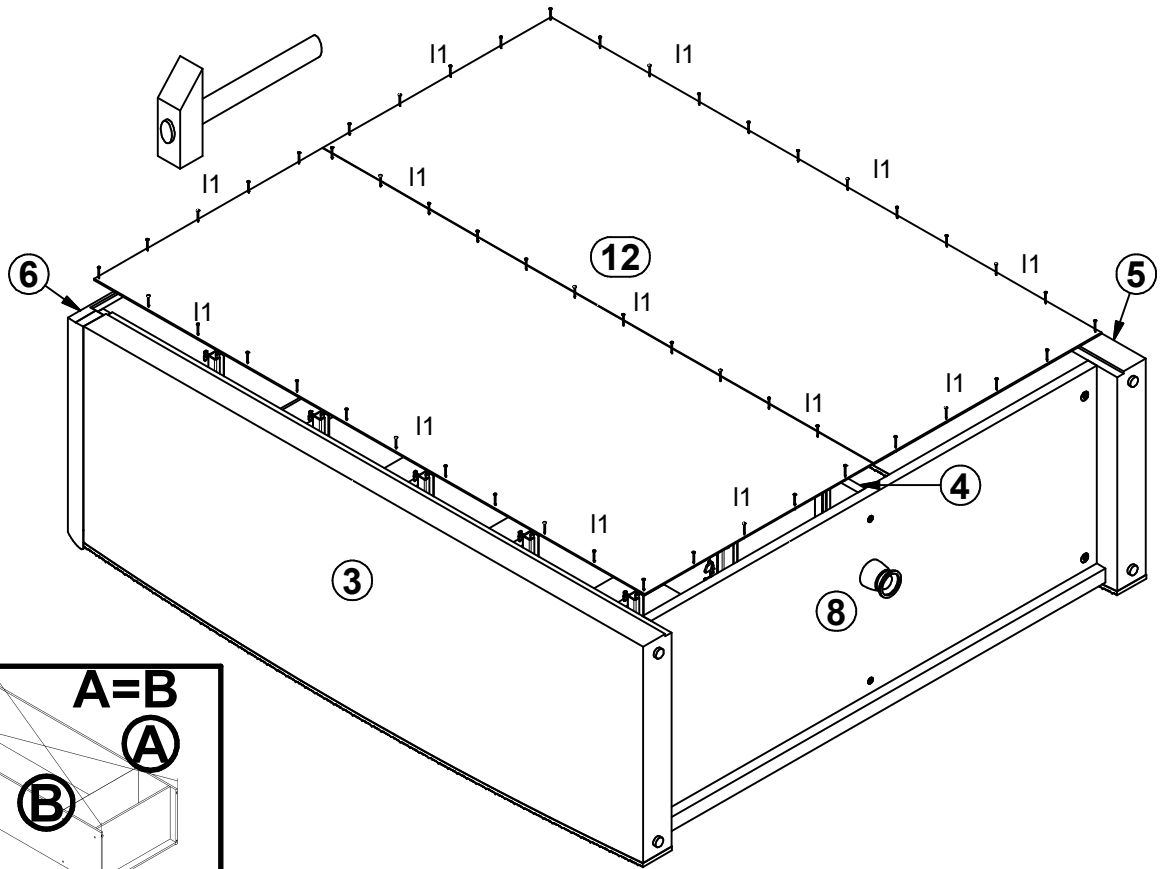
# 3



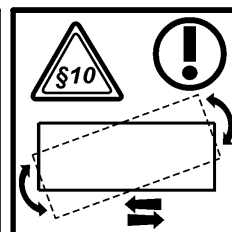
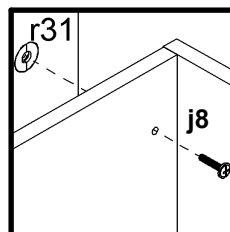
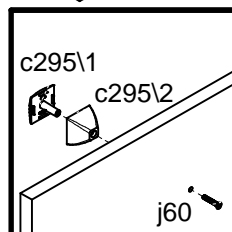
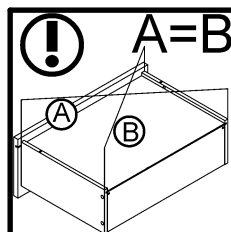
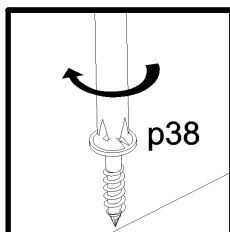
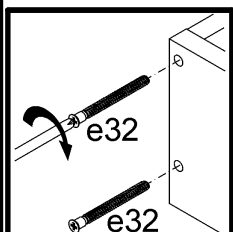
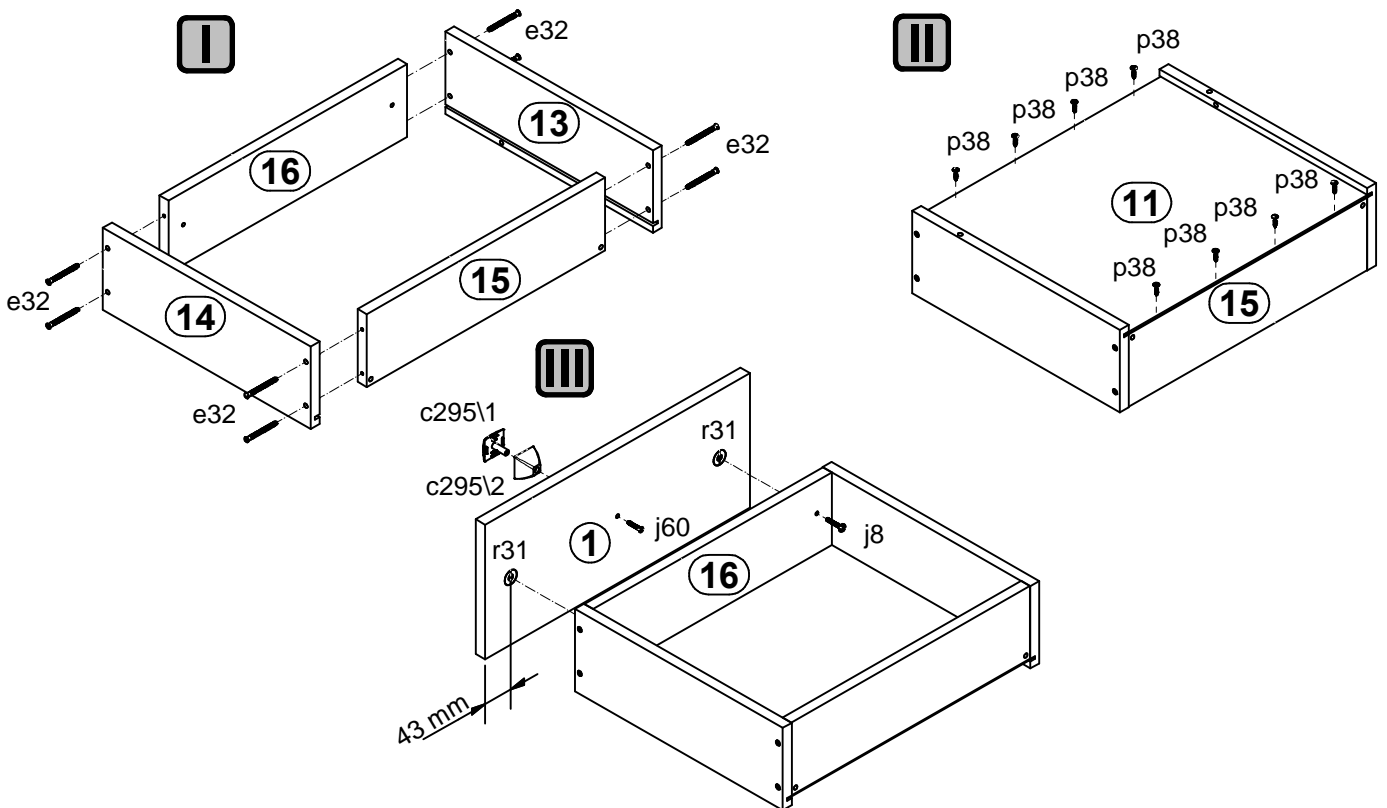
# 4



# 5



# 6



# 7

