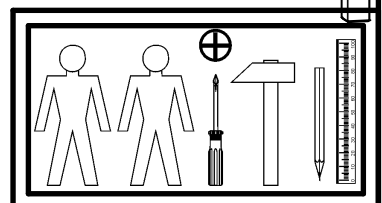
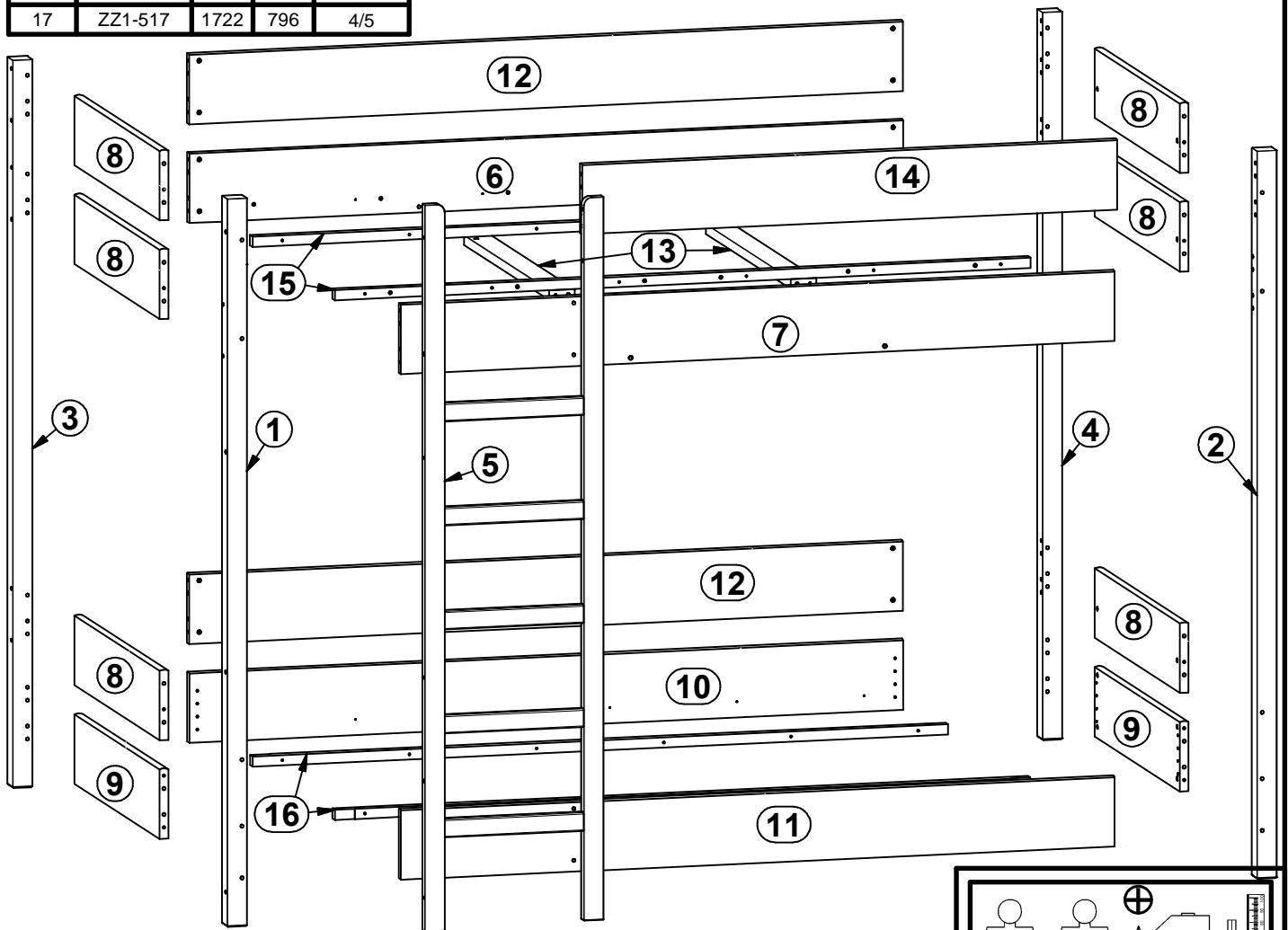
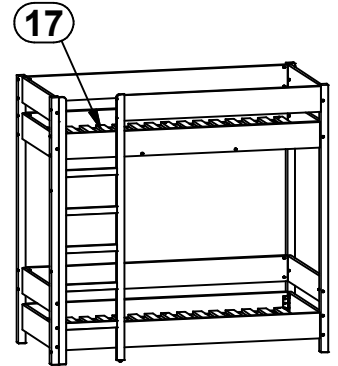
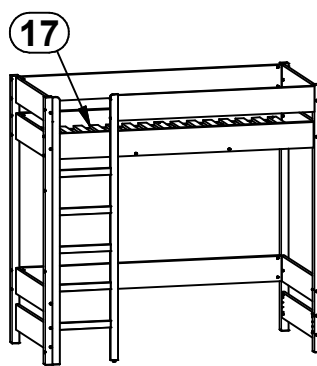


# HIHOT/RUPI

# S193/S303-LOZ/80/PIETRO\_L

A	B	C	D
1	S95-433	1800	50
2	S95-434	1800	50
3	S95-435	1800	50
4	S95-436	1800	50
5	S95-437	1798	450
6	S95-438	1796	174
7	S95-439	1796	174
8	S95-440	800	174
9	S95-441	800	174
10	S95-442	1796	174
11	S95-443	1796	174
12	S95-444	1796	174
13	S95-445	800	64
14	S95-446	1346	174
15	S95-711	1750	25
16	S95-712	1750	25
17	ZZ1-517	1722	796

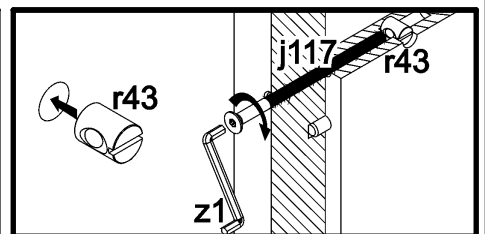
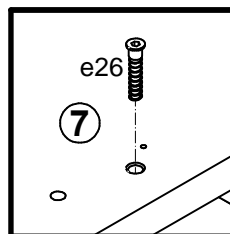
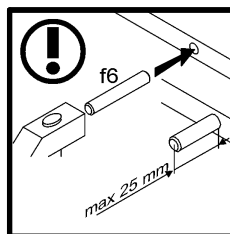
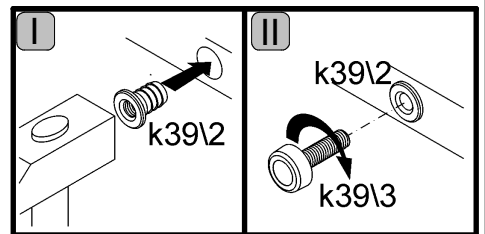
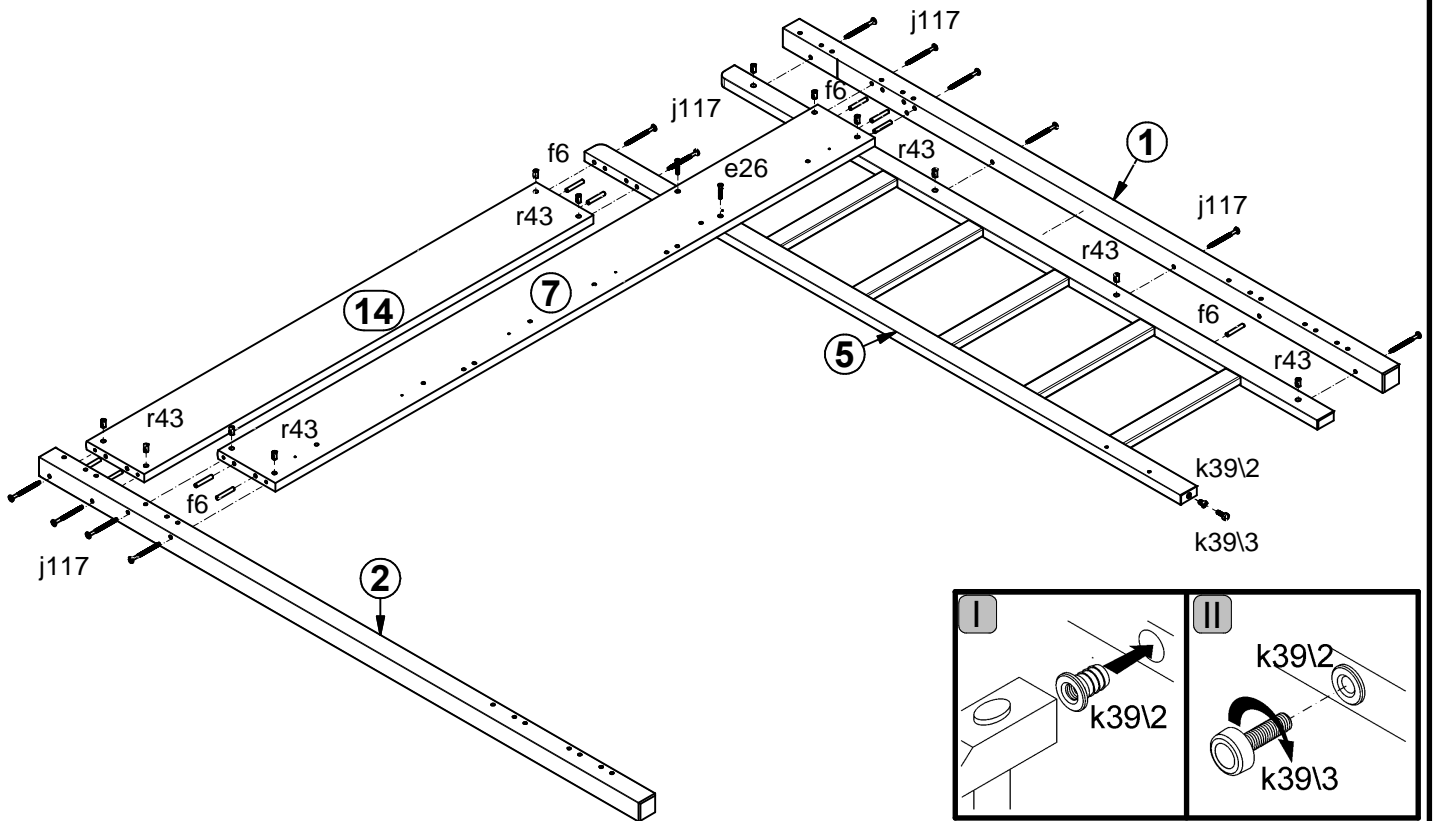
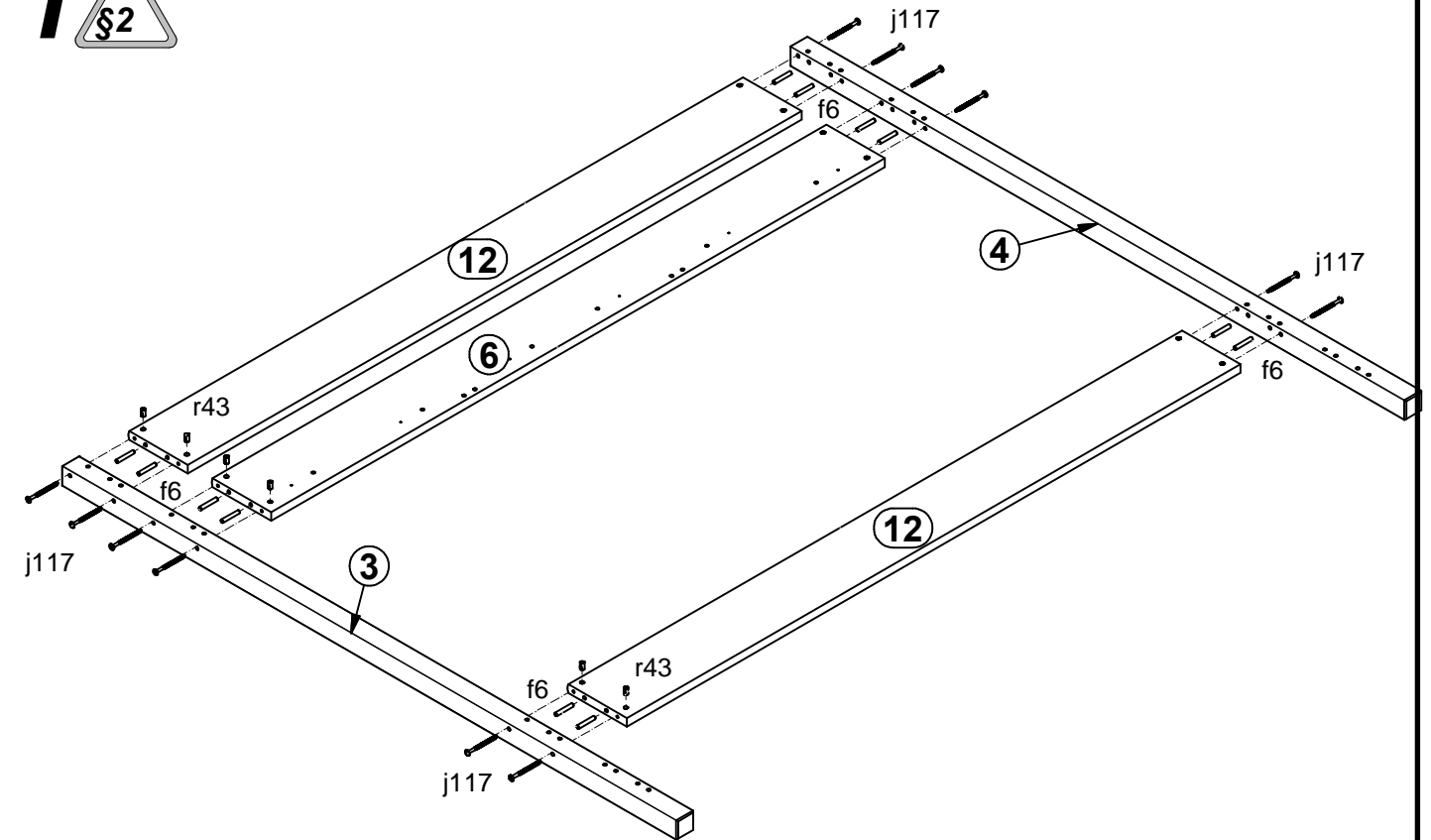


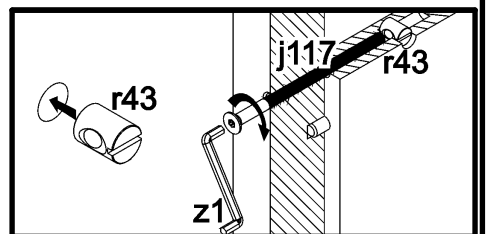
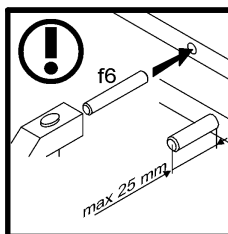
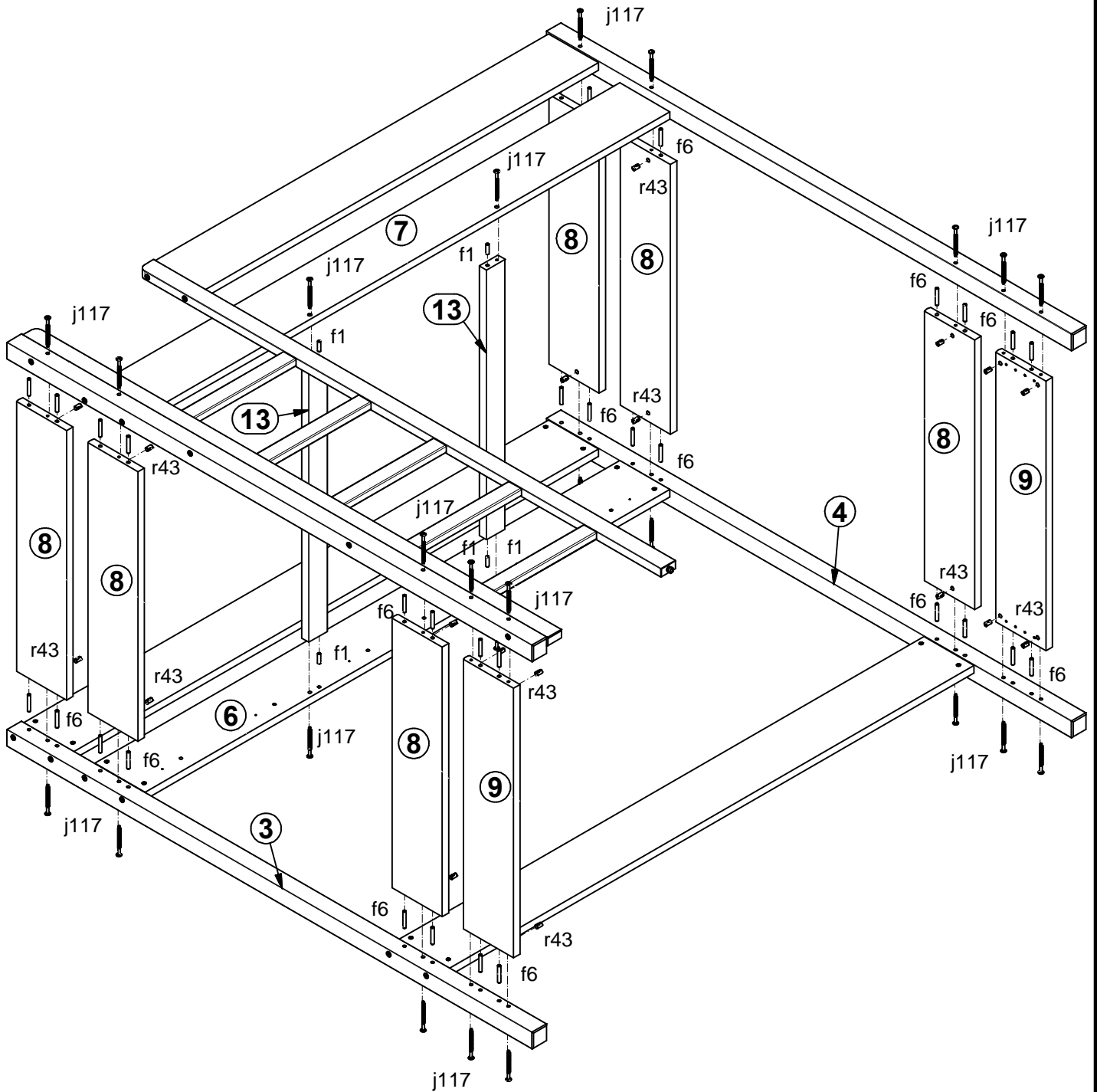
2x φ7x35 mm <b>e26</b>	16x φ8x30 mm <b>f1</b>	60x φ8x50 mm <b>f6</b>	48x M6x84 mm <b>j117</b>
1x M6/φ9x14 mm <b>k39/2</b>	1x M6/22mm <b>k39/3</b>	12x φ4x40 mm <b>p10</b>	6x φ4x35 mm <b>p6</b>
48x φ10x16mm <b>r43</b>	2x <b>s1</b>	2x <b>z1</b>	



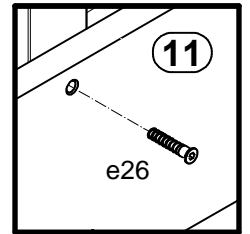
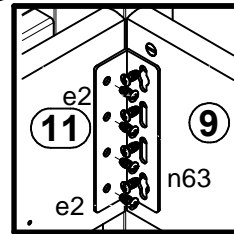
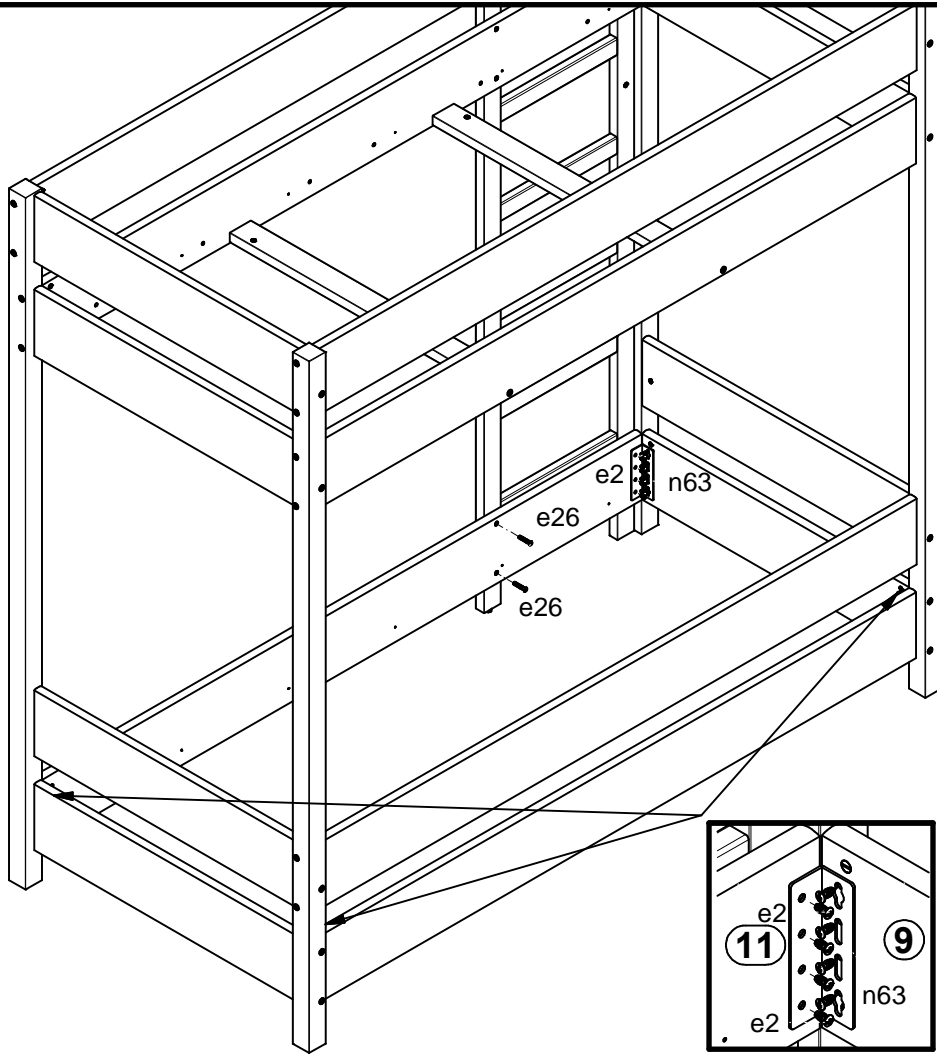
32x φ6,3x13 mm <b>e2</b>	2x φ7x35 mm <b>e26</b>	4x 130x34x34,2mm <b>n63</b>
6x φ4x35 mm <b>p6</b>	12x φ4x40 mm <b>p10</b>	2x <b>s1</b>
1x <b>z1</b>		

1 

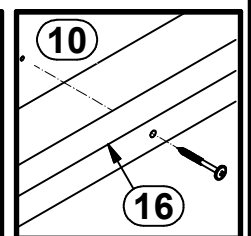
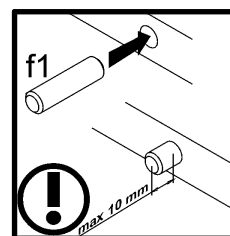
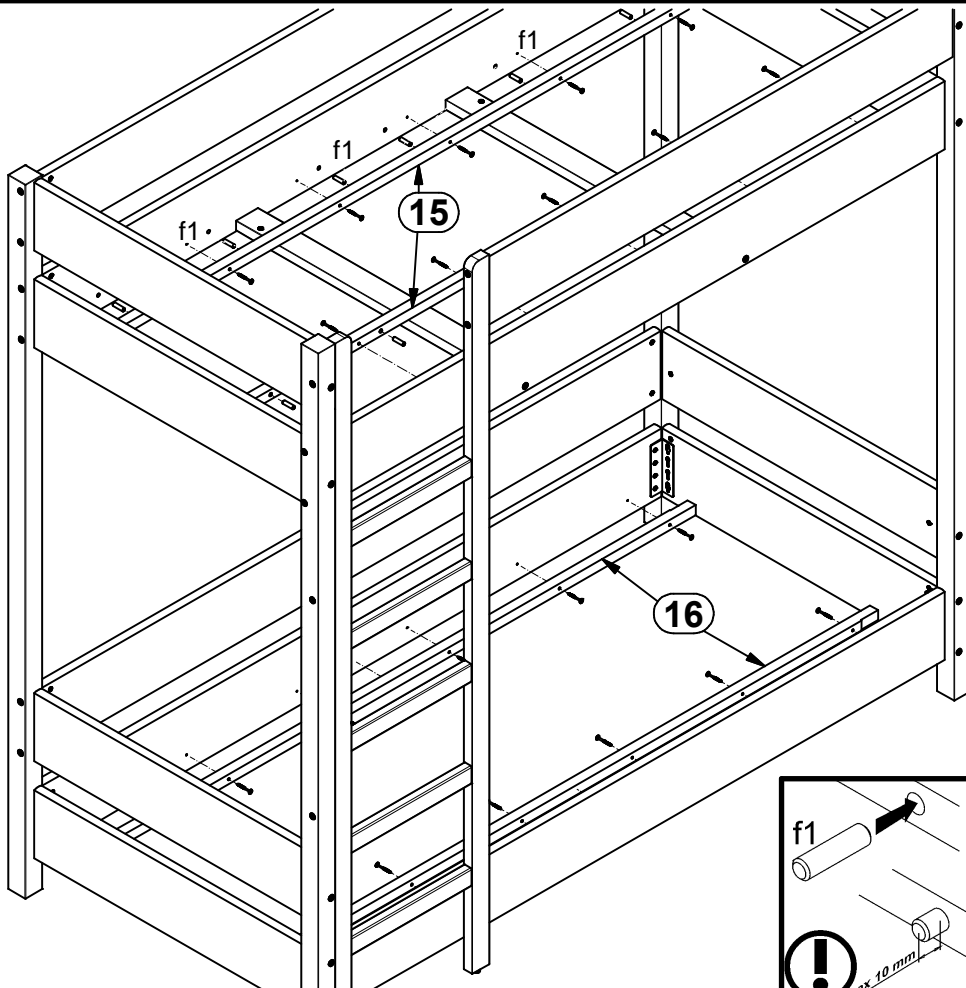




**3** 



**4**



5

