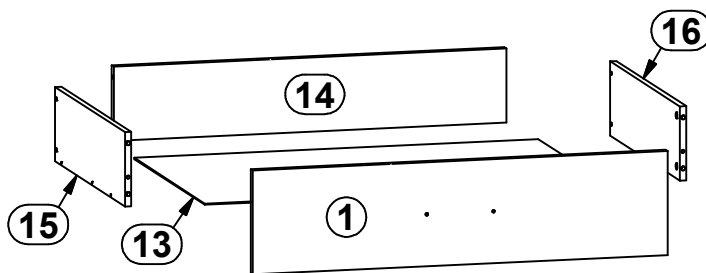
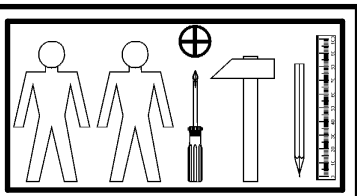
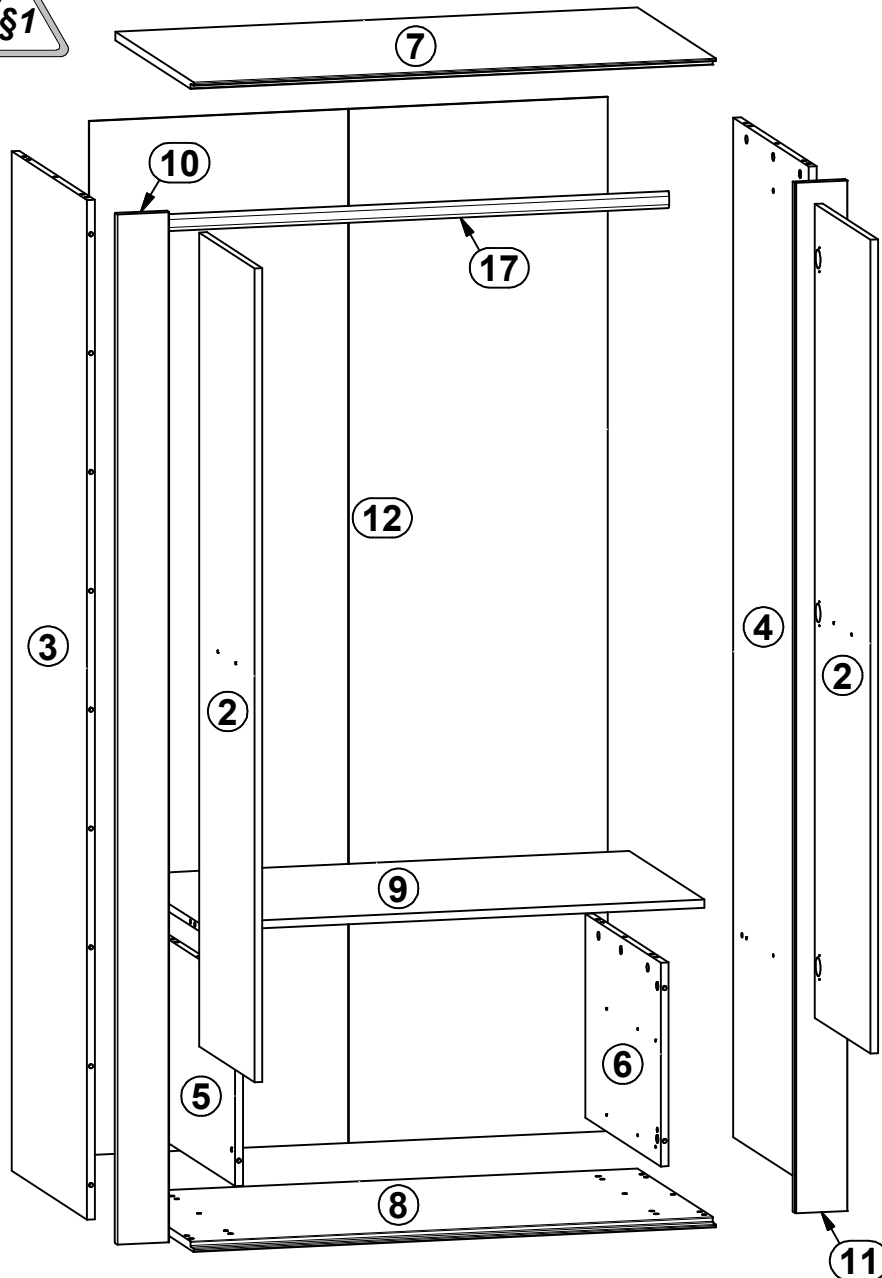
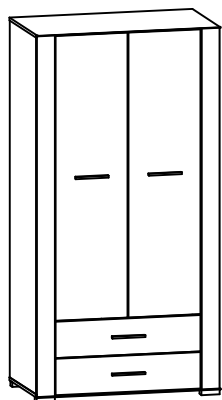
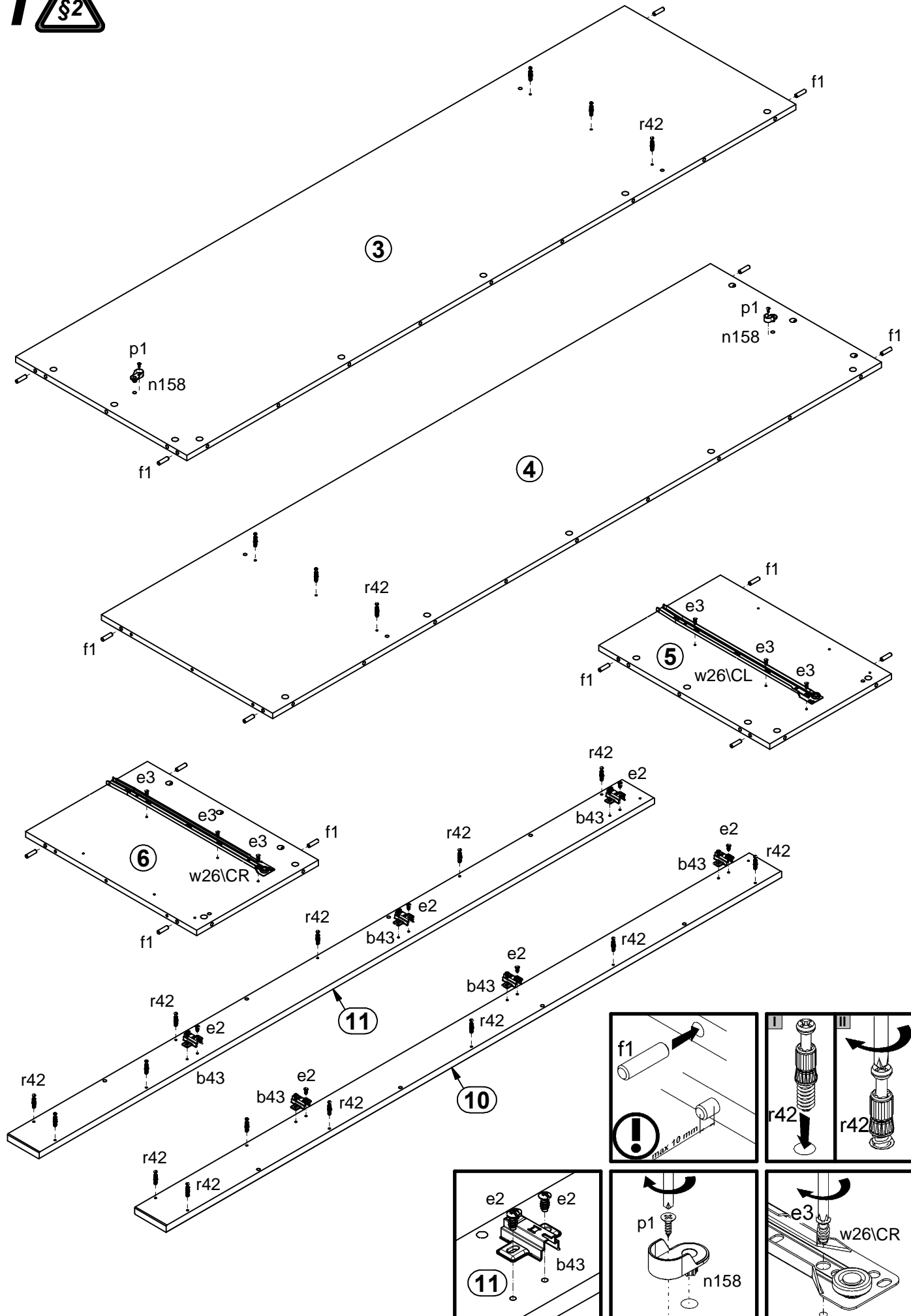


A	B	C	D	
1	S311-008	796	196	4/5
2	S311-009	396	1534	5/5
3	S311-118	1922	540	1/5
4	S311-119	1922	540	1/5
5	S311-120	384	540	2/5
6	S311-121	384	540	2/5
7	S311-211	1002	562	2/5
8	S311-212	1002	562	2/5
9	S311-309	970	540	2/5
10	S311-510	1942	100	3/4
11	S311-511	1942	100	3/4
12	S311-907	1949	995	1/5
13	S311-908	775	505	2/5
14	ZS3-5589	753	140	2/5
15	ZS4-533	500	140	2/5
16	ZS4-534	500	140	2/5
17	dr-966	966	30	2/5

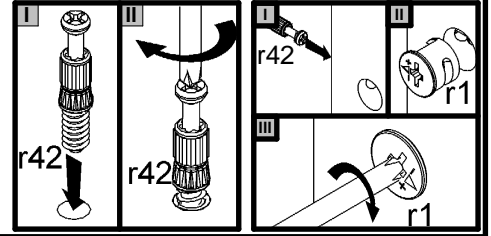
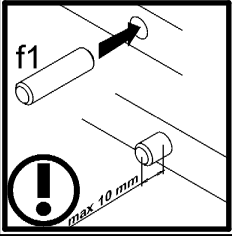
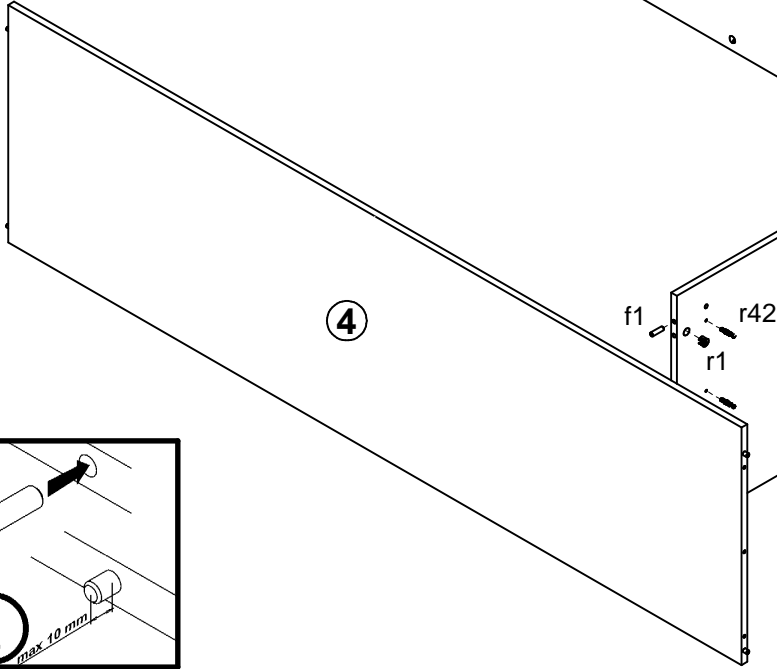
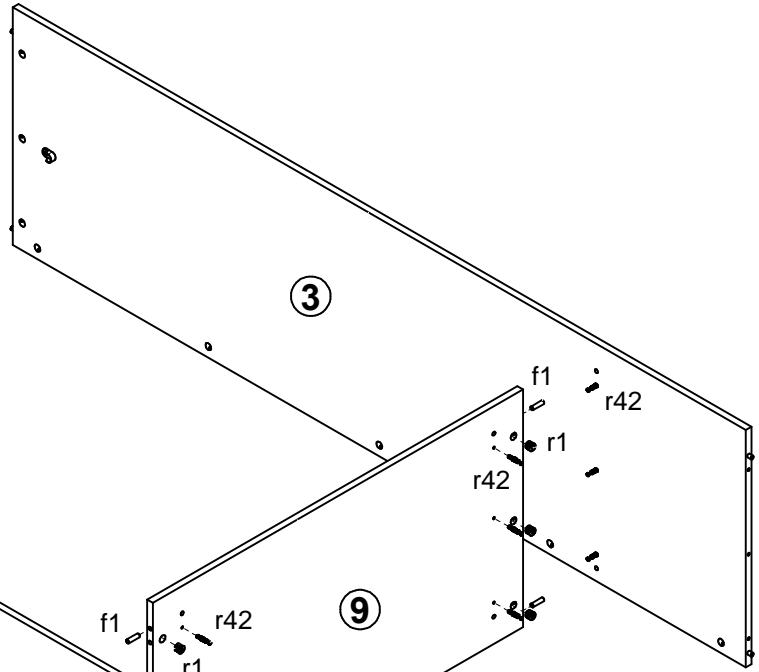


6x a99	6x b43	4x 128mm c392	12x Ø7x50 mm e1	12x Ø5x9 mm e19	12x Ø6.3x13 mm e2	12x Ø6x13 mm e3	8x Ø6x22 mm e31	4x Ø5x12 mm e41
28x Ø8x30 mm f1	8x Ø6.5x40 mm f25	4x Ø6x30 mm f9	4x k87	70x l1	2x 25x25x16/2 n110	2x n158	2x Ø3.5x13 mm p1	2x Ø3.5x16 mm p25
2x Ø3.5x10 mm p35	12x Ø3.5x16 mm p38	12x Ø3.5x15 mm p51	8x Ø4x25 mm p87	32x Ø15x12 mm #16 r1	8x Ø12x10.5 mm #12 r15	40x r42	18x Ø16 s2	2x 500 mm t34
2x 500 mm w26\CL	2x 500 mm w26\CR	2x 500 mm w26\DL	2x 500 mm w26\DR	1x z1	1x n26\1	1x Ø3.5x16 mm p38		

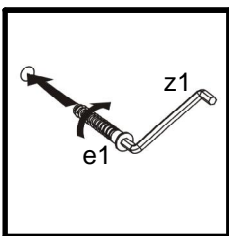
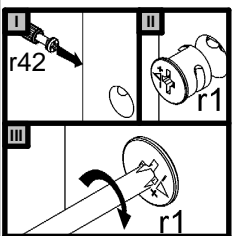
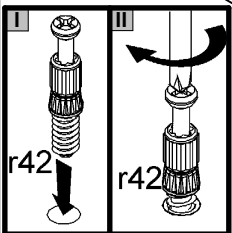
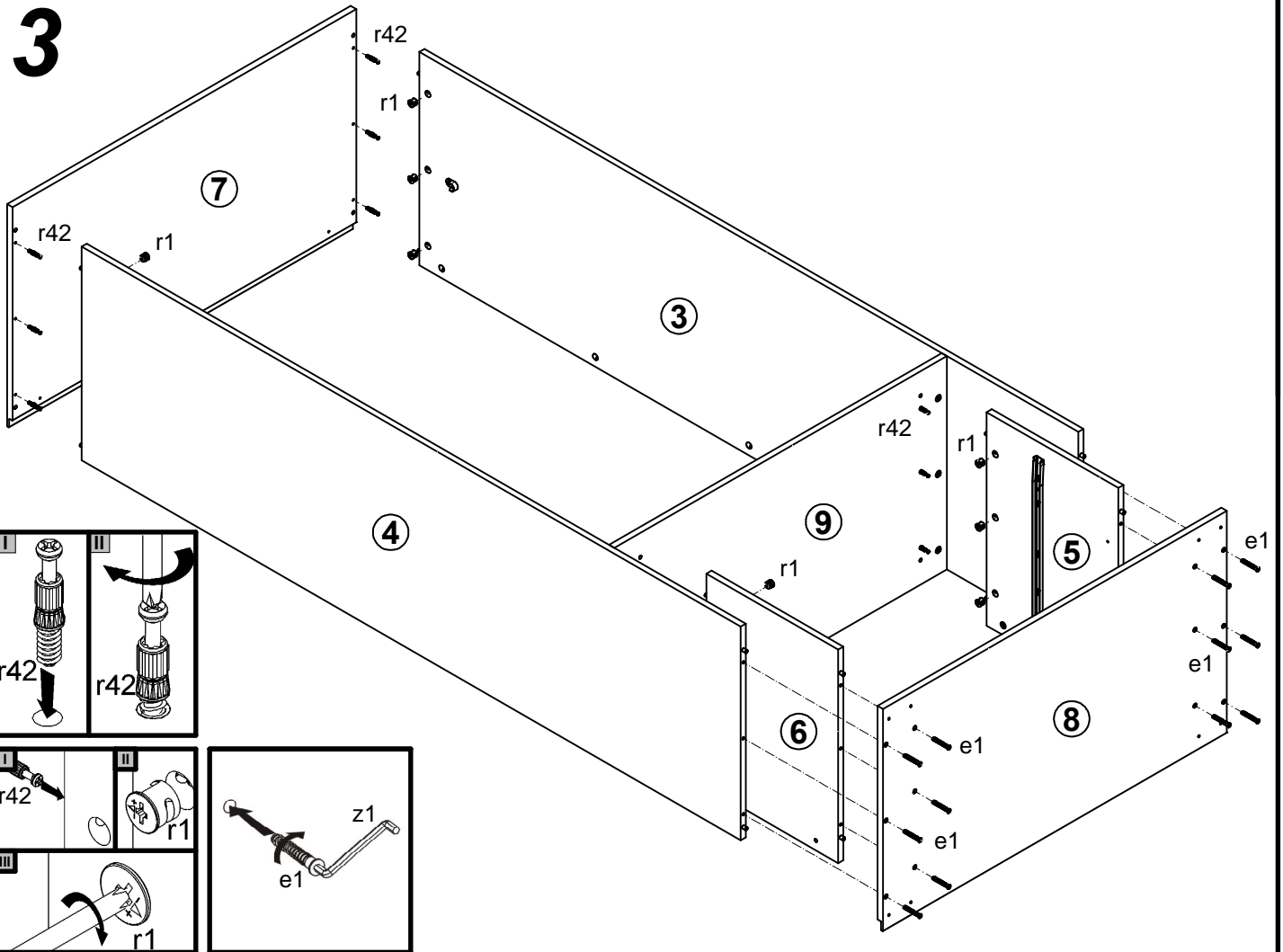
1 



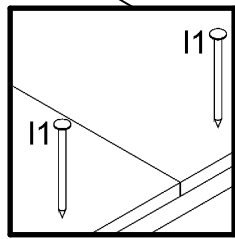
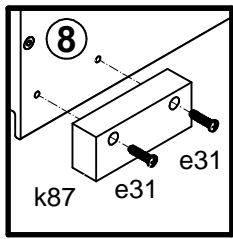
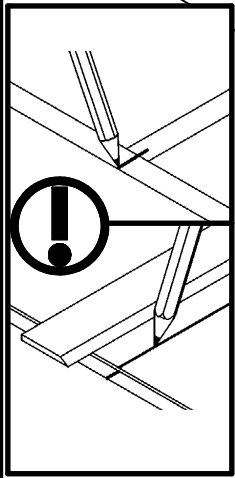
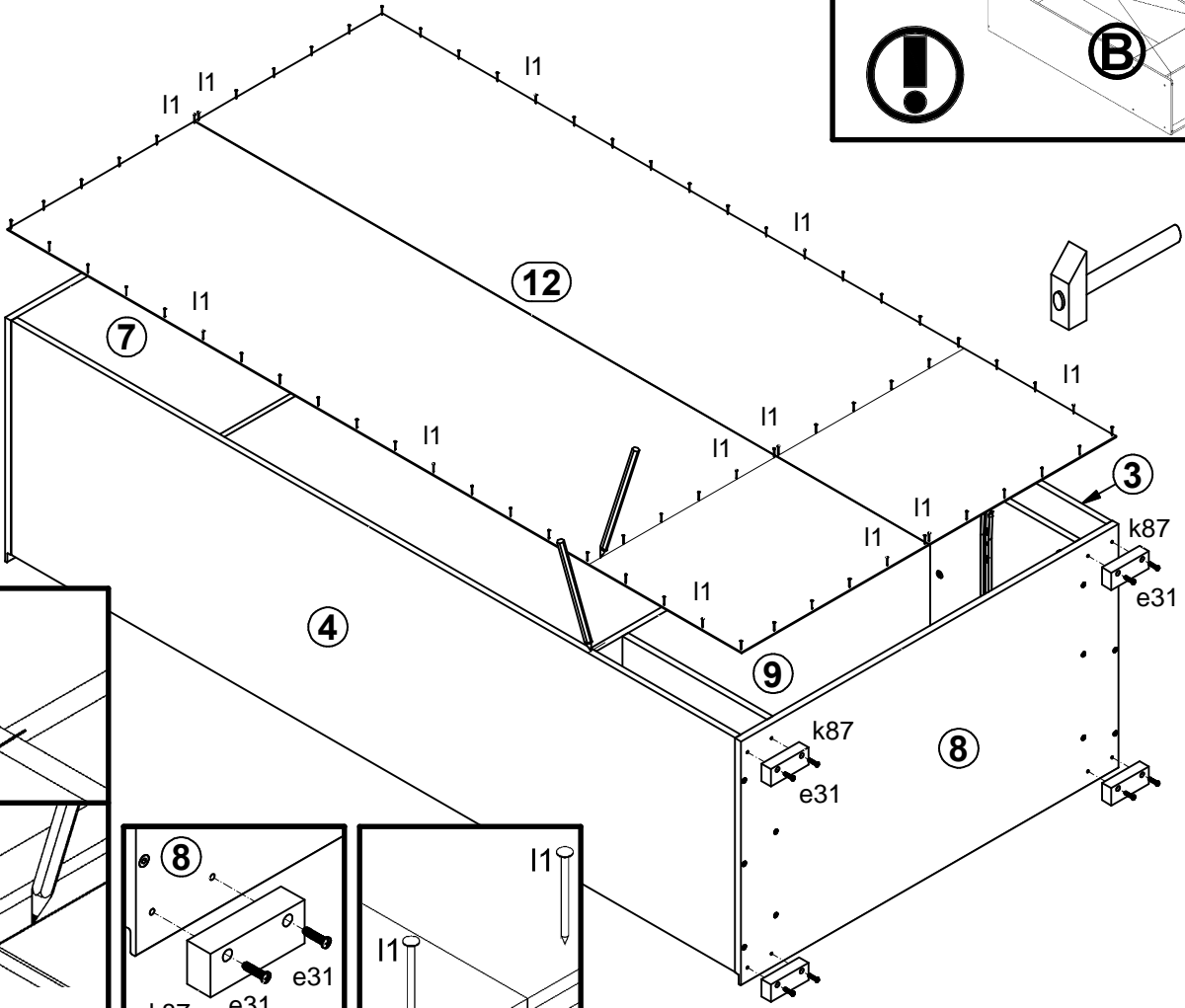
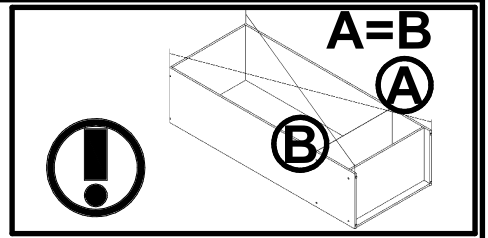
2



3



4



5

