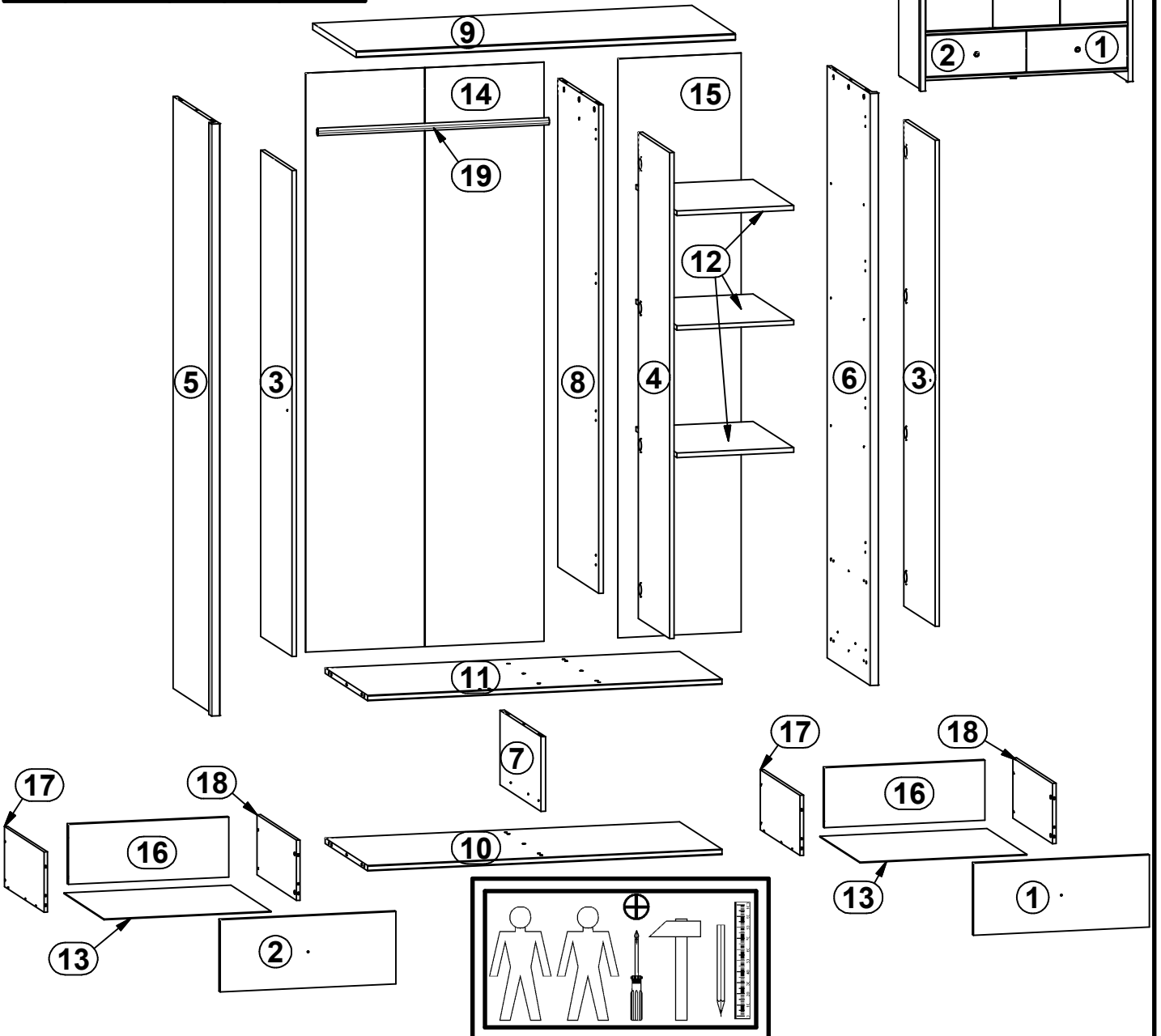
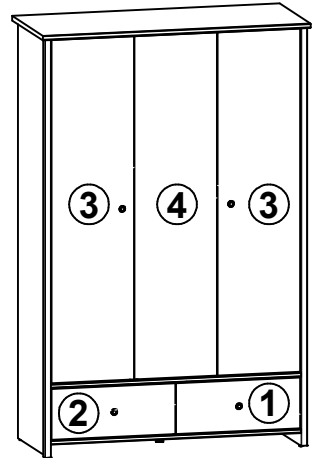
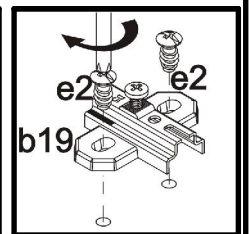
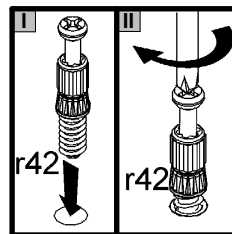
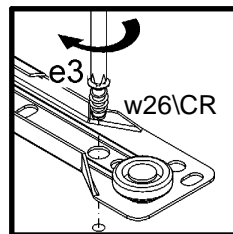
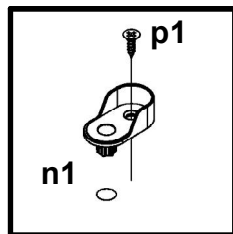
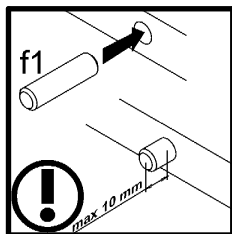
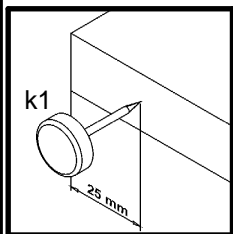
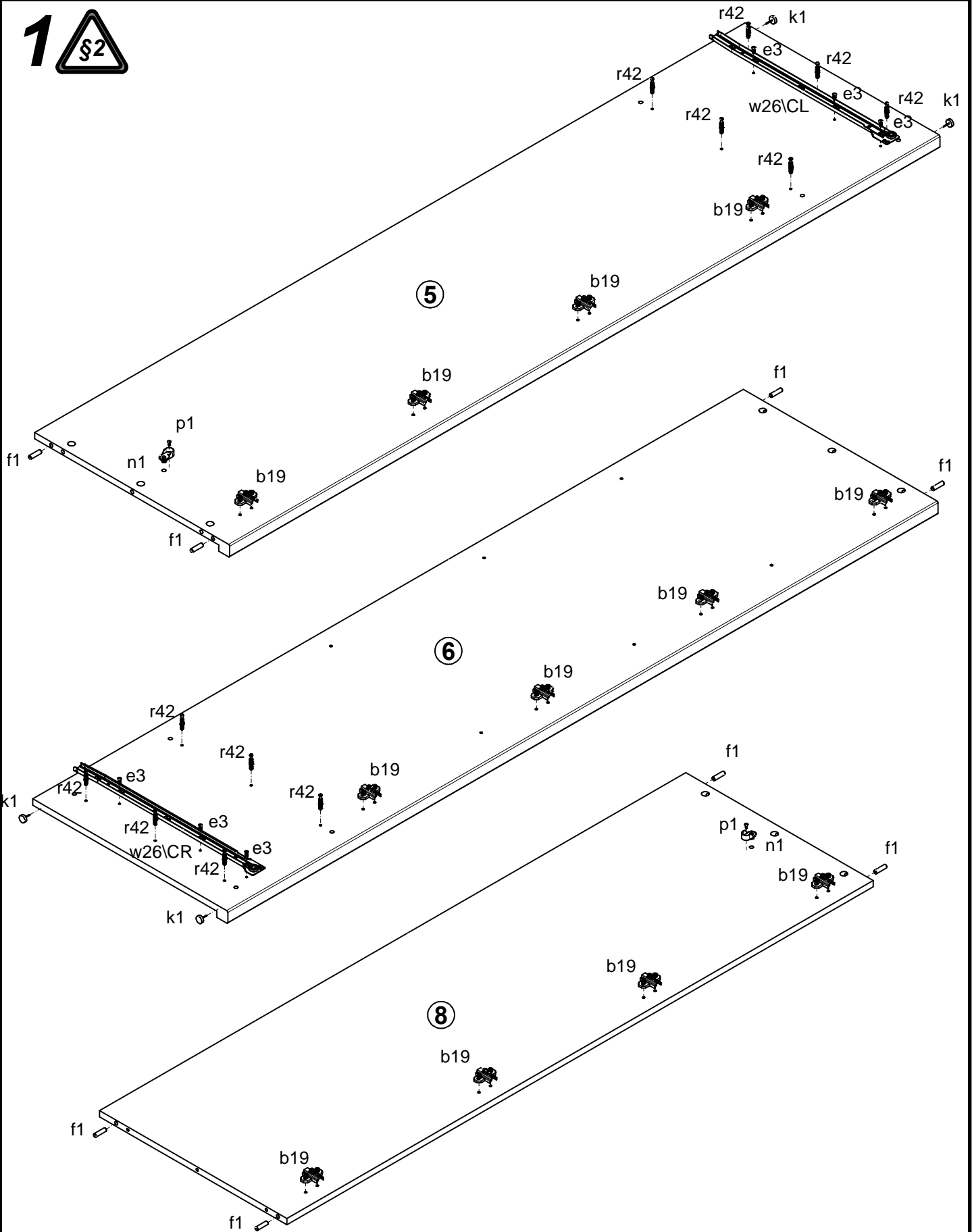


A	B	C	D	A	B	C	D		
1	S322-014	595	240	3/4	11	S322-310	1199	537	2/4
2	S322-015	595	240	3/4	12	S322-311	396	513	2/4
3	S322-016	1616	396	4/4	13	S322-917	565	505	2/4
4	S322-017	1616	396	4/4	14	S322-918	1925	807	1/4
5	S322-116	1968	540	1/4	15	S322-920	1925	417	1/4
6	S322-117	1968	540	1/4	16	ZS3-5625	543	200	2/4
7	S322-118	248	517	1/4	17	ZS4-541	500	200	2/4
8	S322-119	1624	519	1/4	18	ZS4-542	500	200	2/4
9	S322-206	1283	551	2/4	19	dr-782	782	22	2/4
10	S322-309	1199	537	2/4					

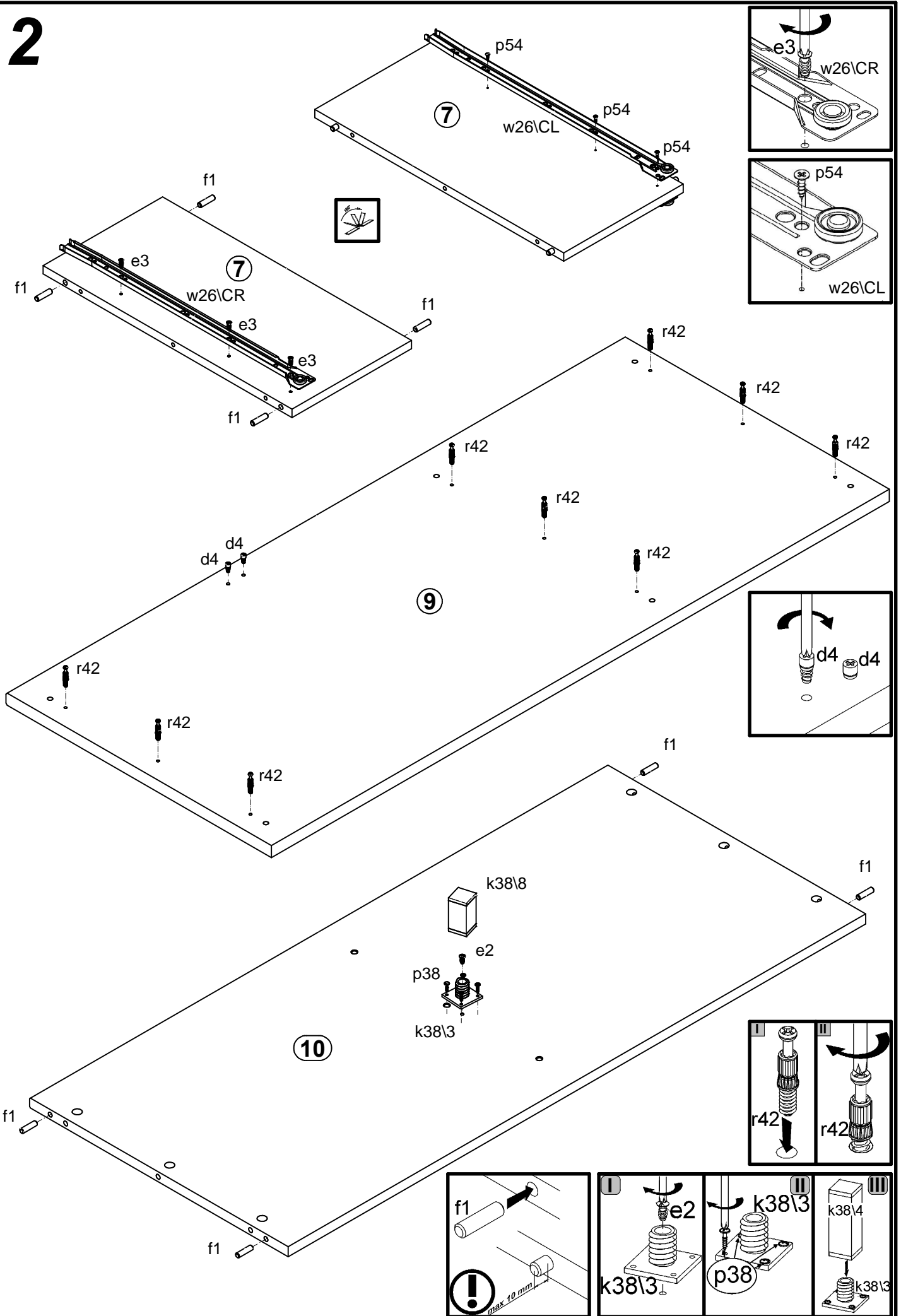


8x K16 a43	4x K0 a44	12x DS b19	4x M4 c415	12x d1 Ø5x17 mm	4x d4 Ø6.3x15 mm	9x e1 Ø7x50 mm	1x e2 Ø6.3x13 mm	9x e3 Ø6x13 mm
12x e19 Ø5x9 mm	20x f1 Ø8x30 mm	4x f9 Ø6x30 mm	8x f25 Ø6.5x40 mm	4x j1 M4x20 mm	4x k1	1x k38/3 42.5x42.5/4 mm	1x k38/8 30x30/80 mm	120x l1
2x n1 h=22mm	2x o21 silikon	2x p1 Ø3.5x13 mm	12x p38 Ø3.5x16 mm	24x p51 Ø3.5x15 mm	3x p54 Ø3x12 mm	21x r1 Ø15x12 mm #16	8x r15 Ø12x10.5 mm #12	29x r42 20x11
2x w26/CL 500 mm	2x w26/CR 500 mm	2x w26/DL 500 mm	2x w26/DR 500 mm	3x s1	9x s2 Ø16	1x z1		

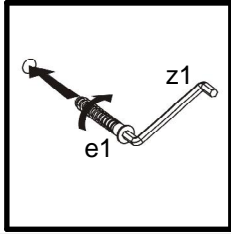
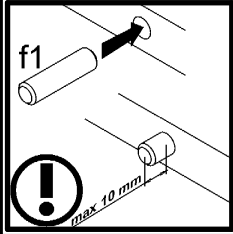
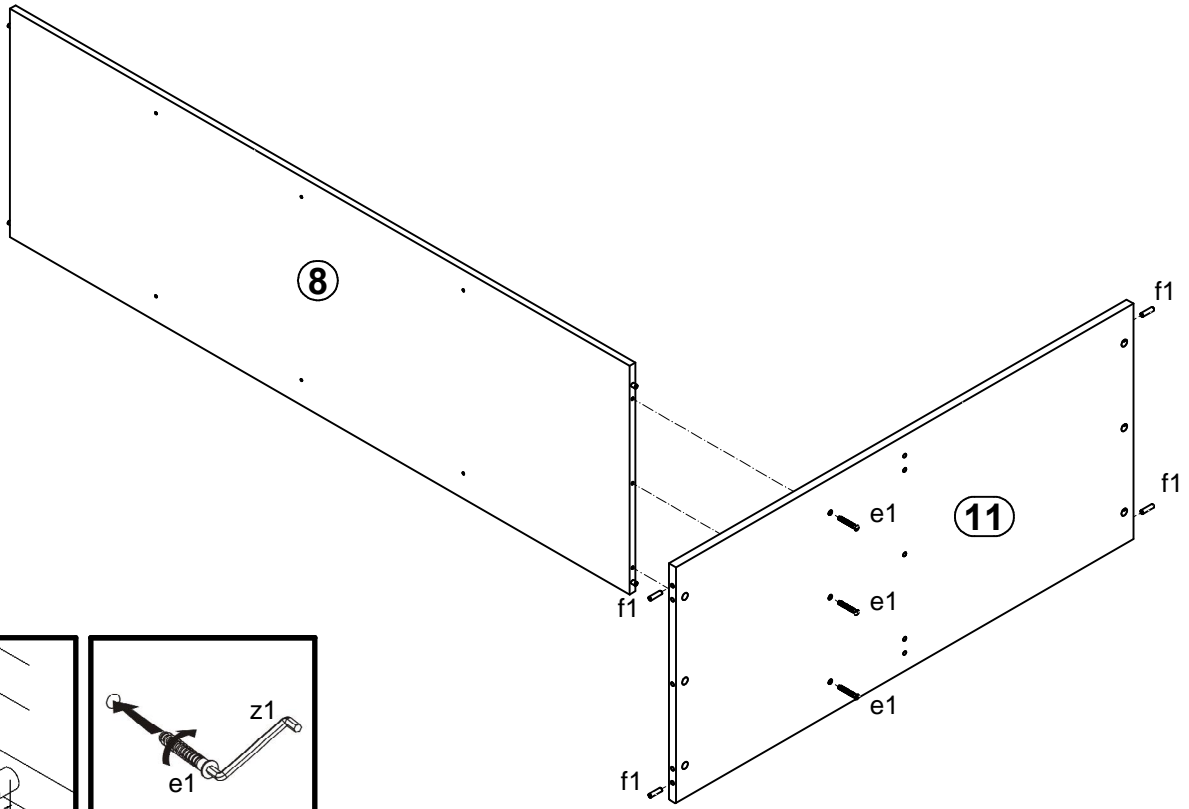
1 



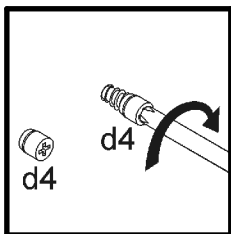
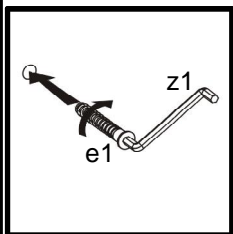
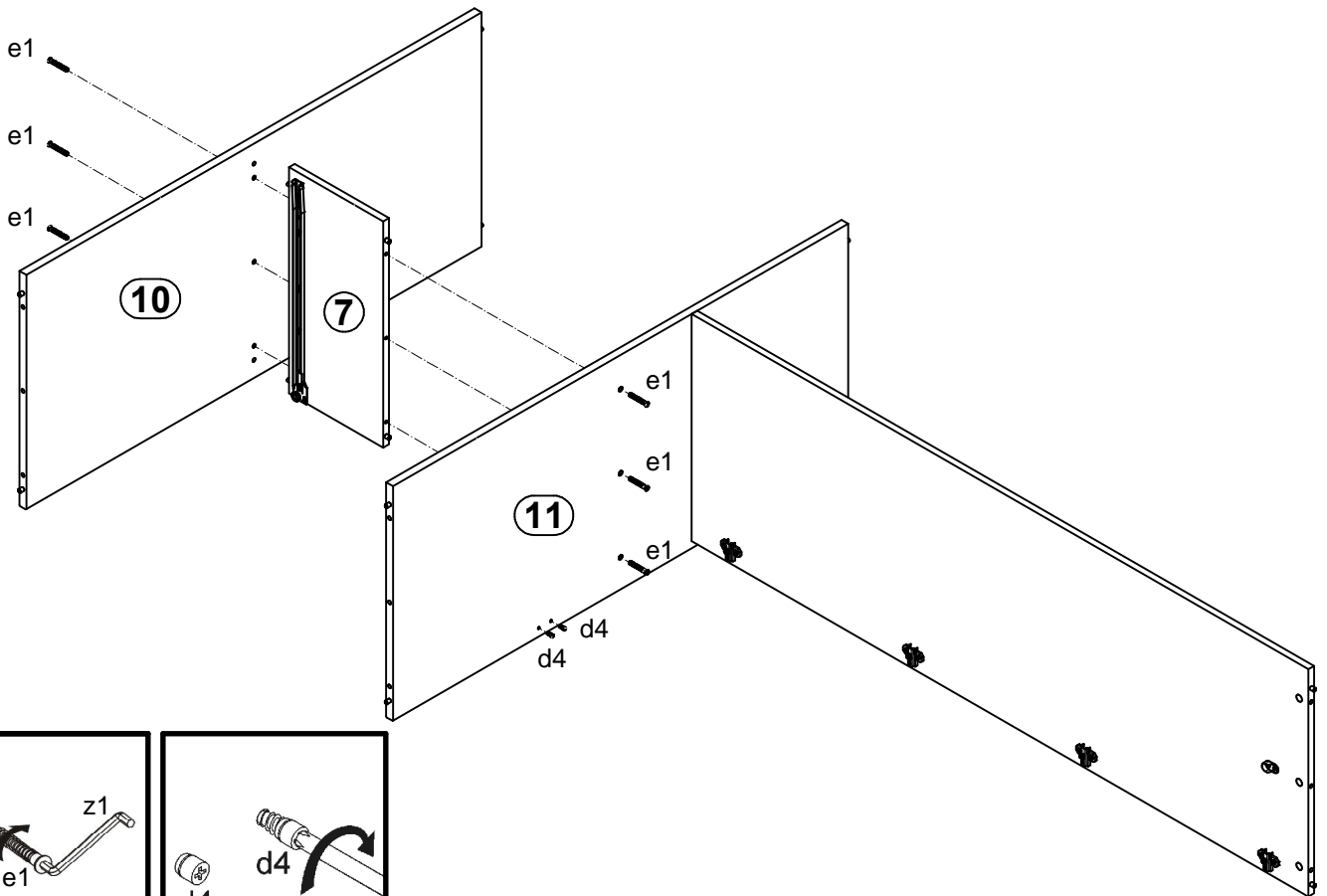
2

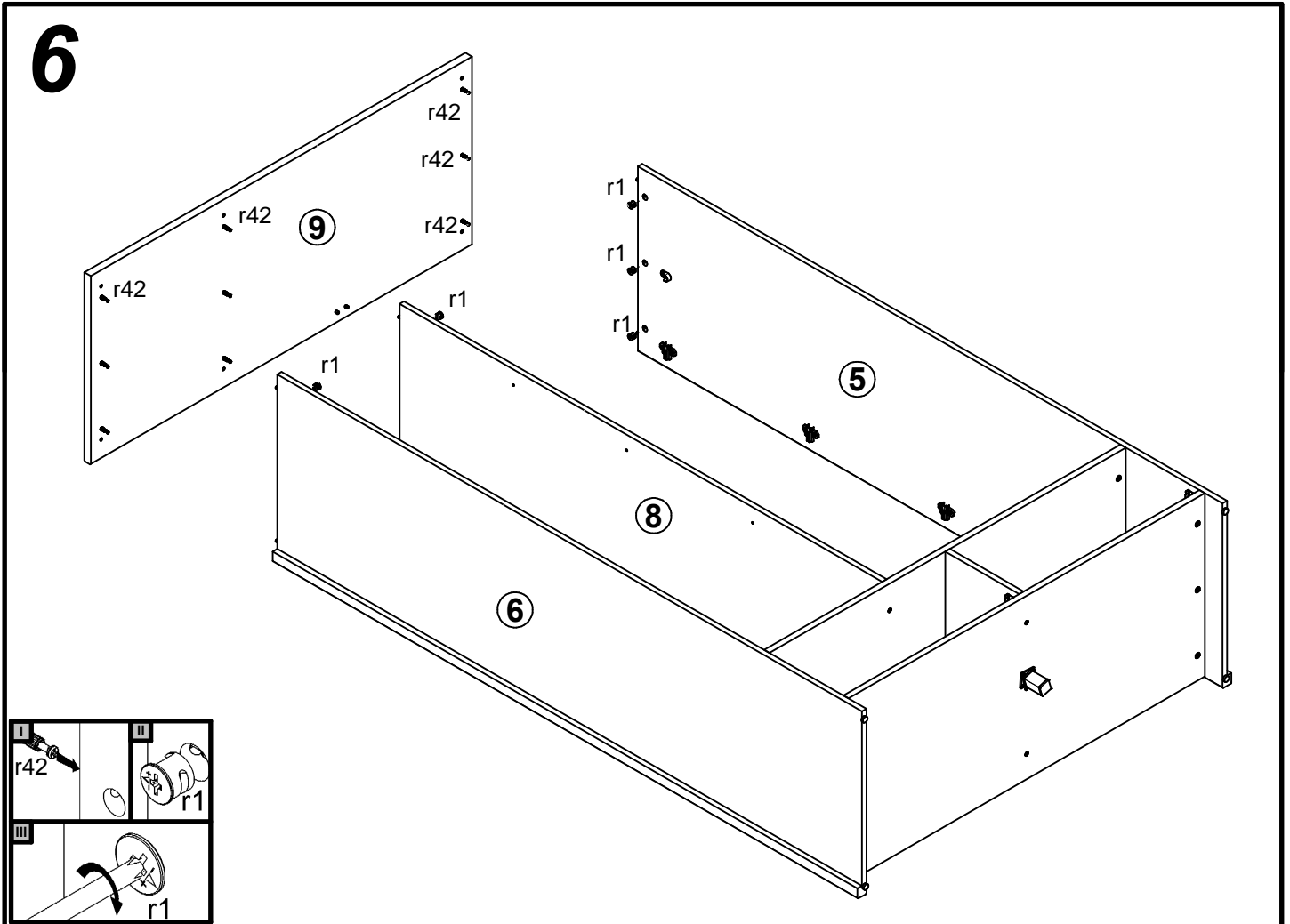
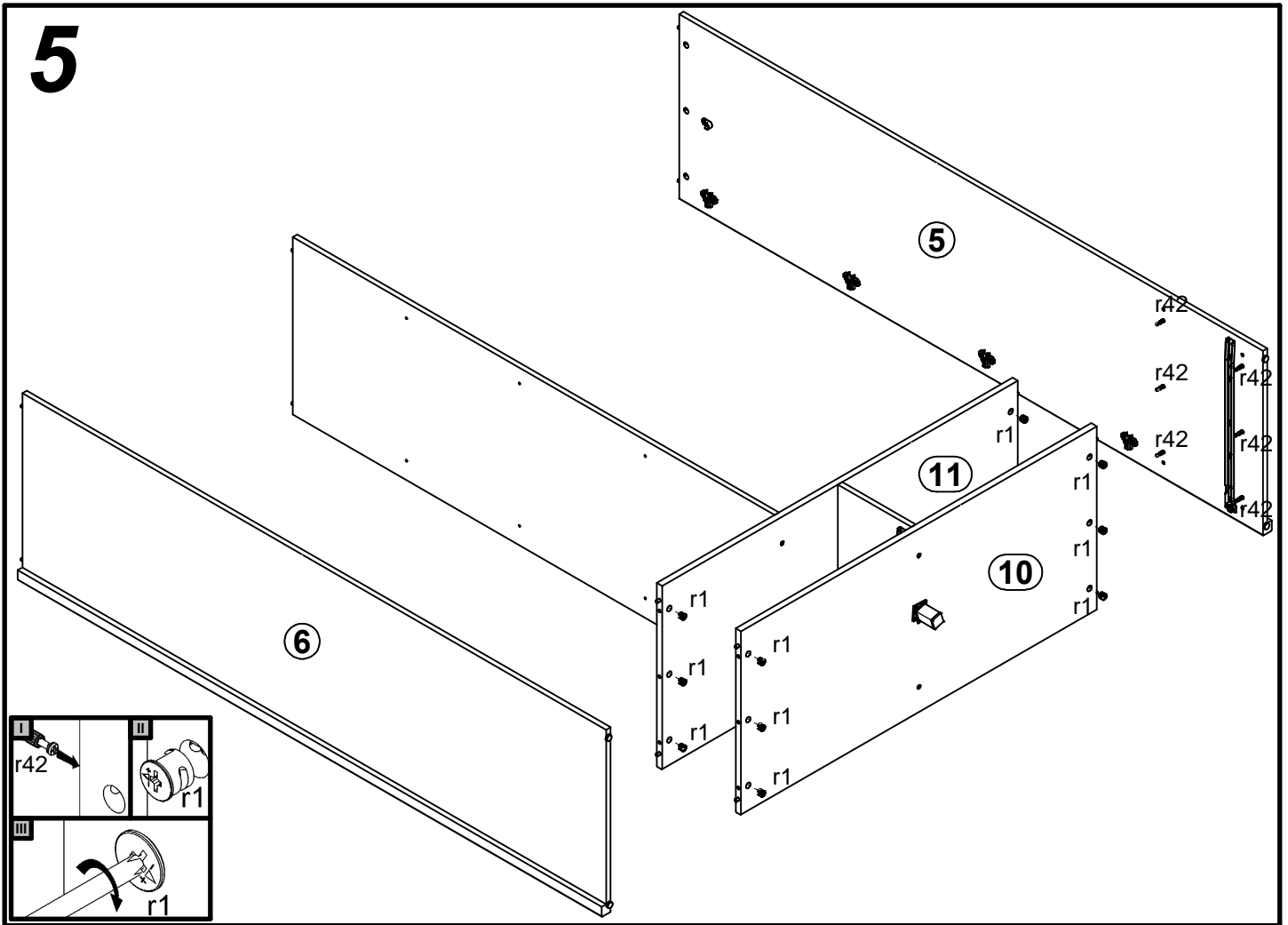


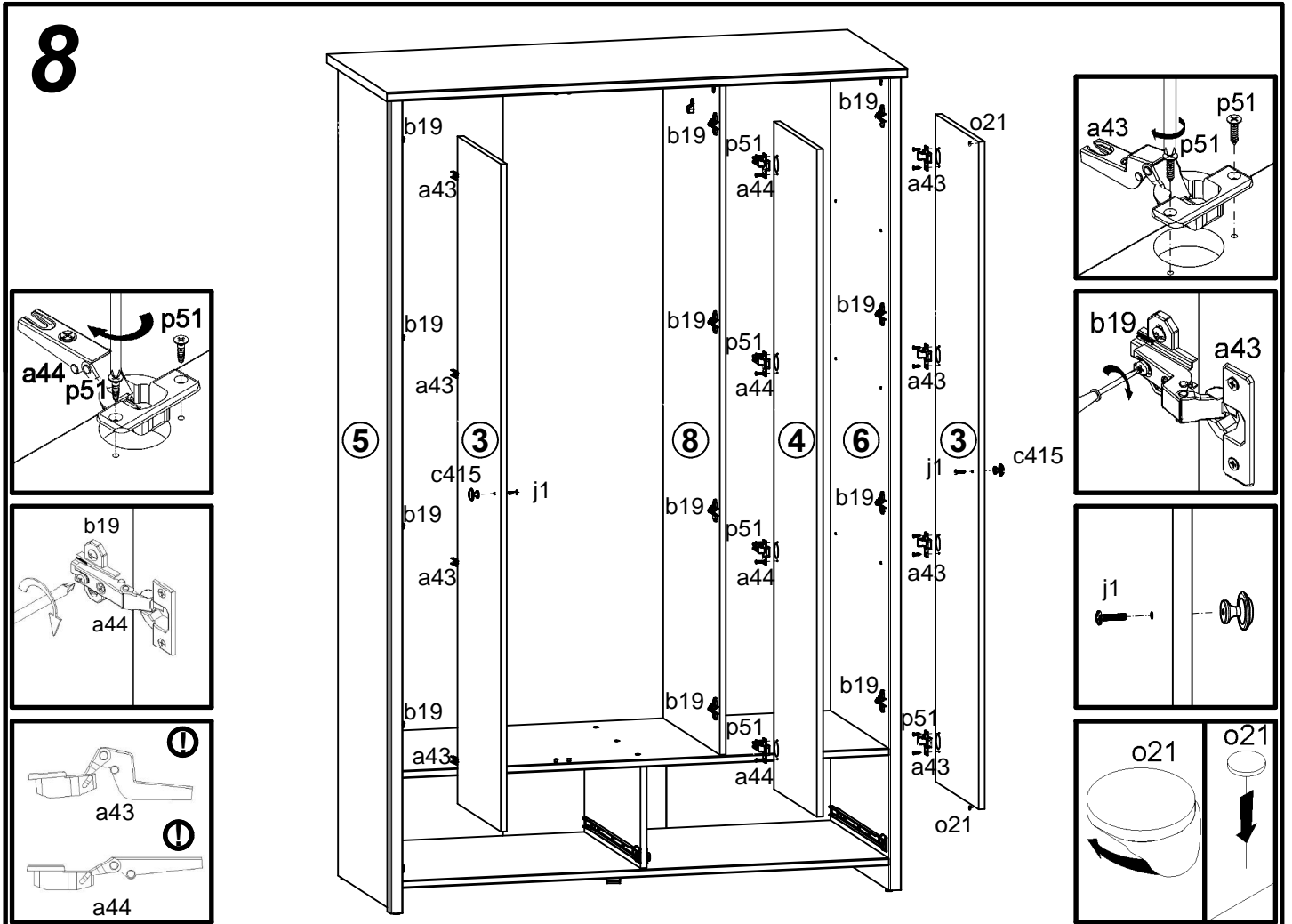
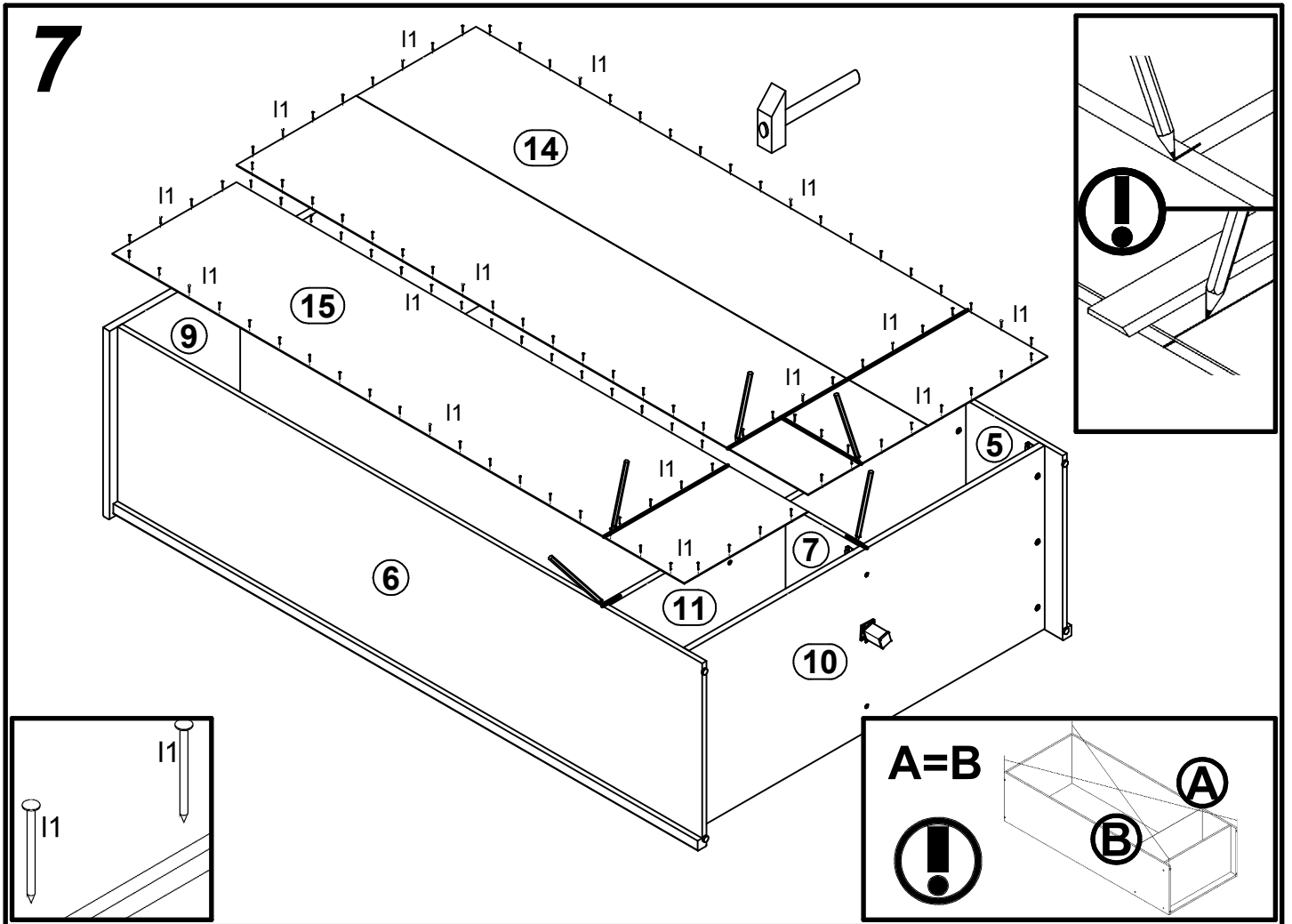
3



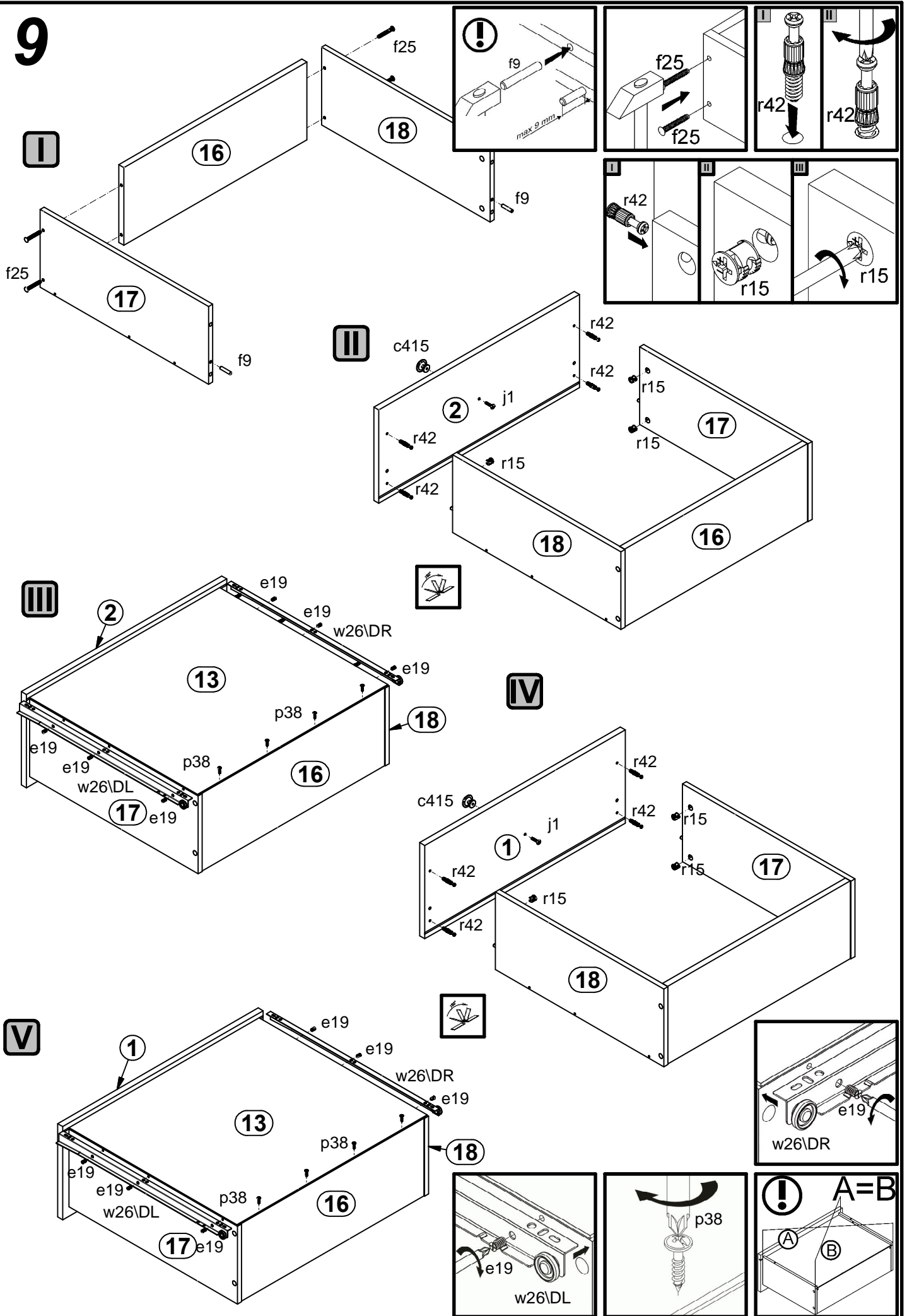
4







9



10

