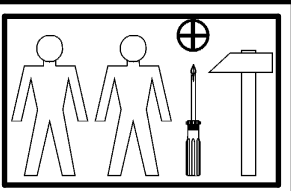
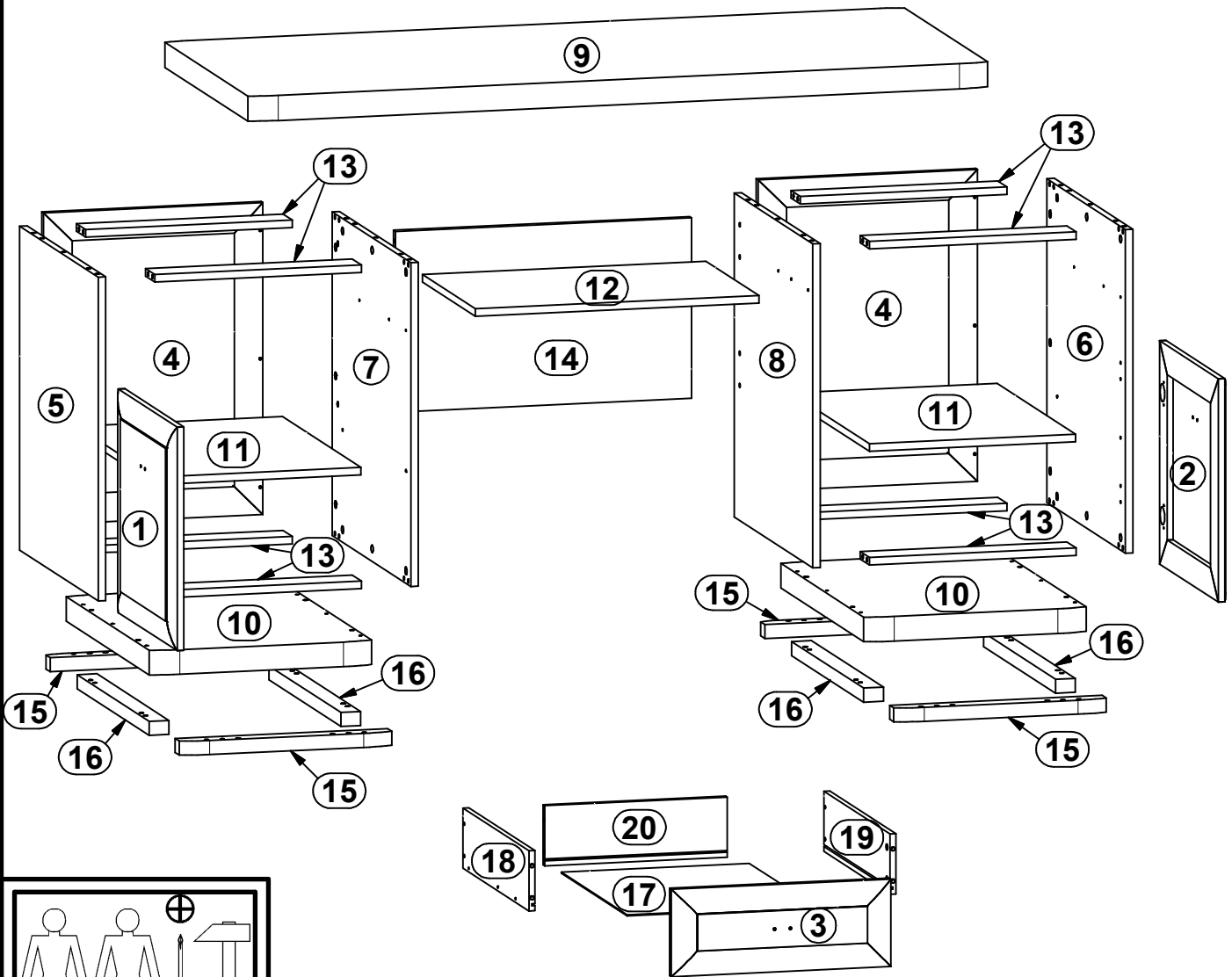
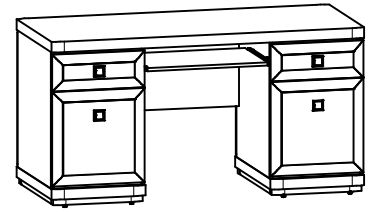


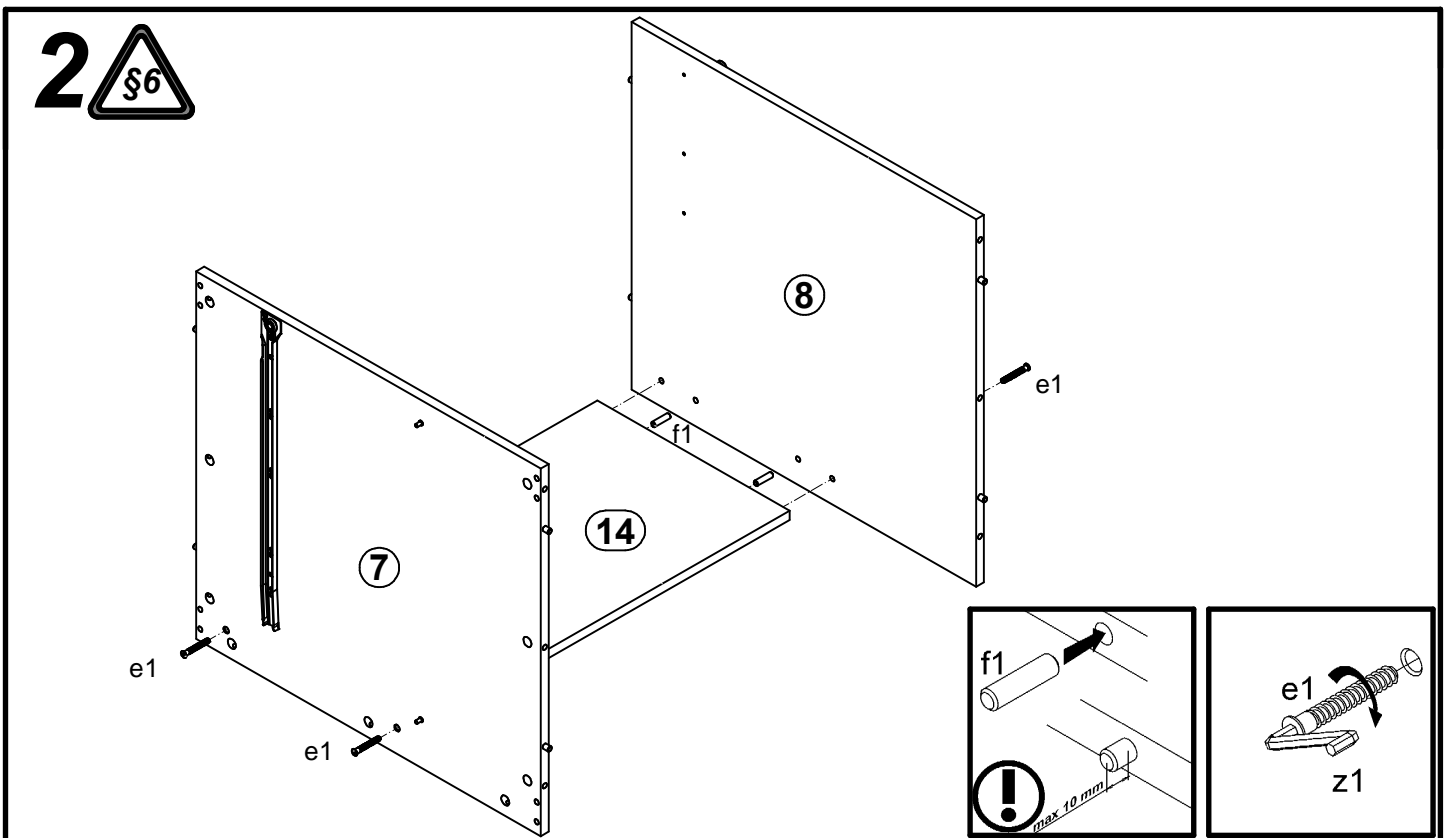
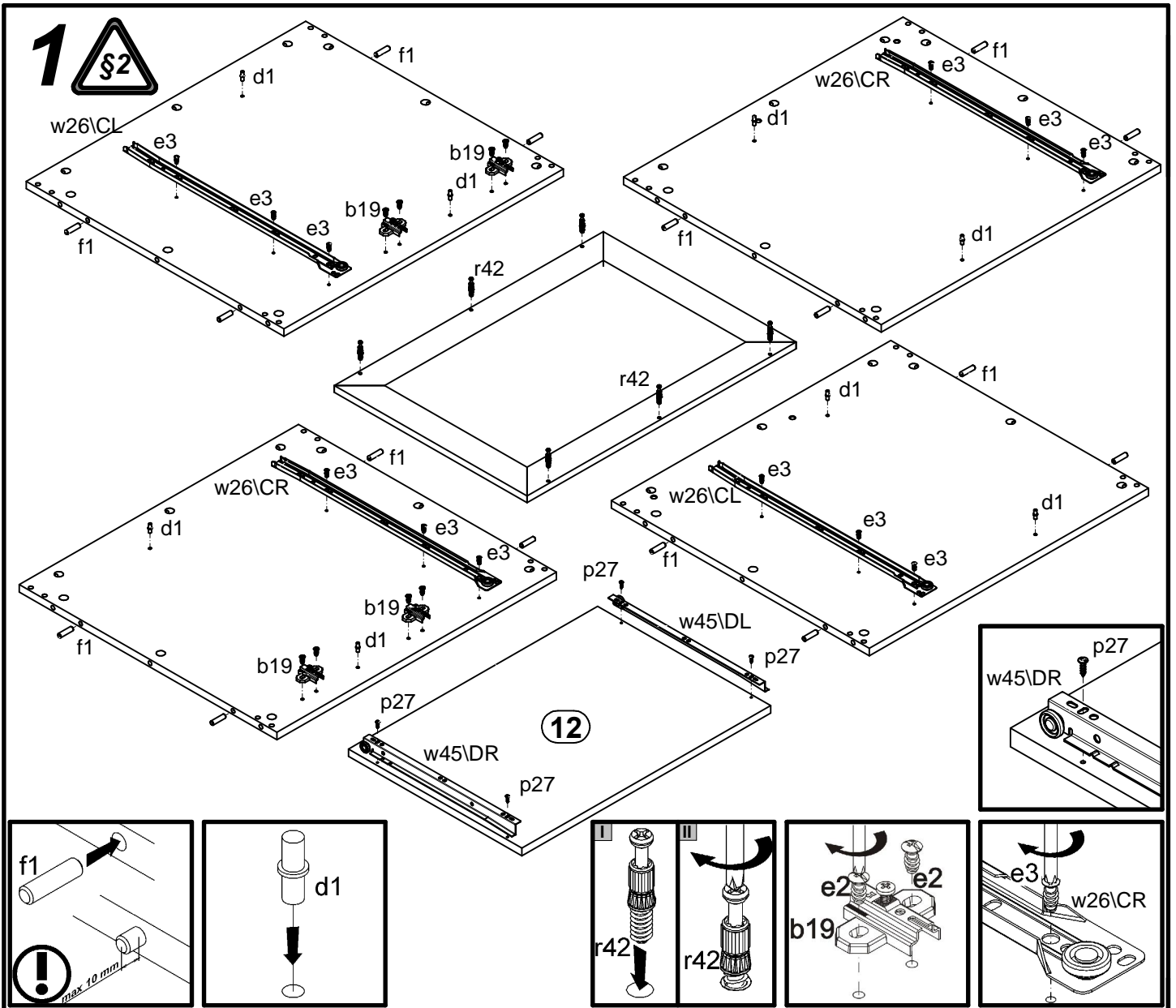
OREGON

S157-BIU2D2S

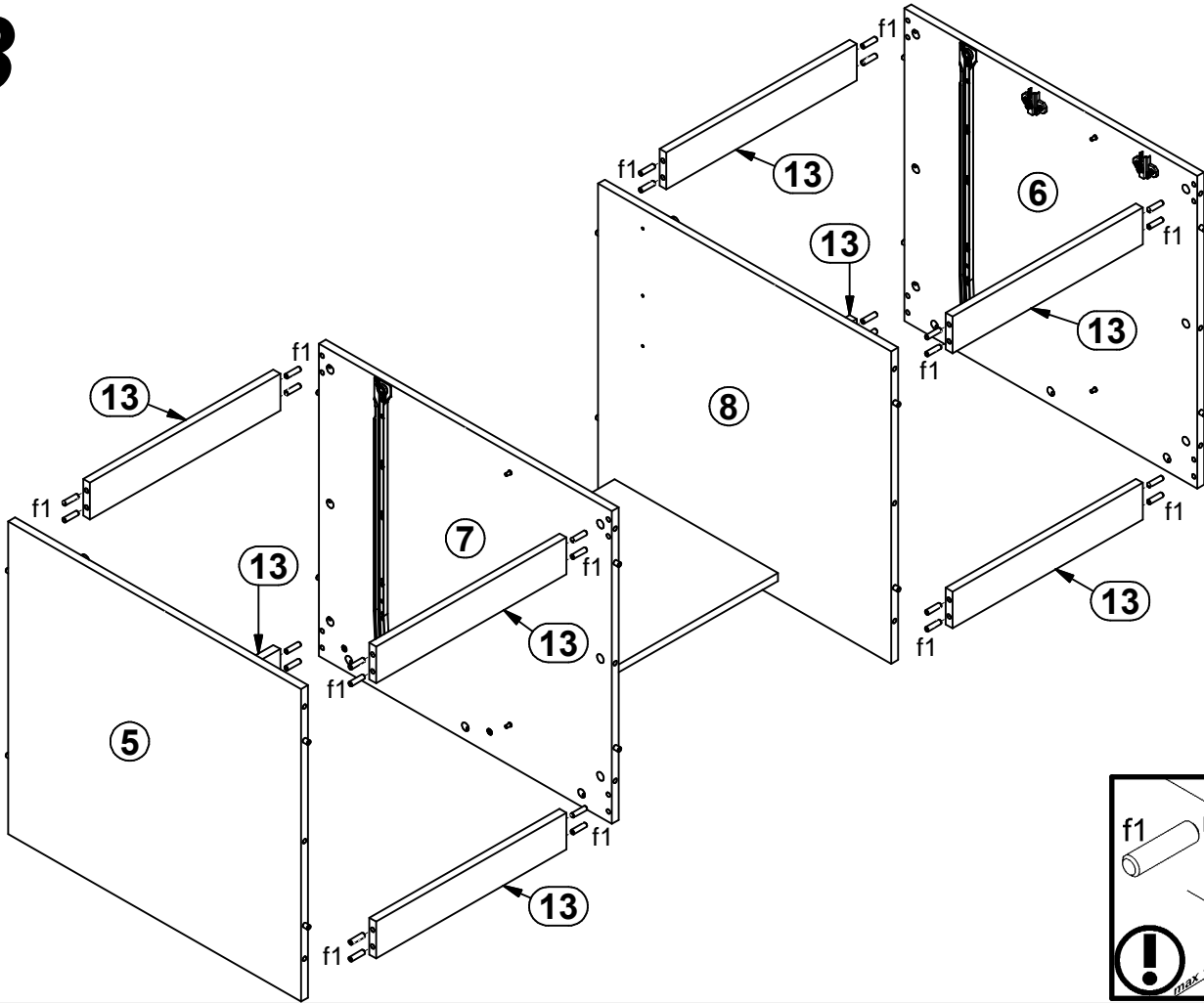
A	B	C	D	A	B	C	D		
1	S157-007	445	445	4/4	11	S157-306	418	594	1/4
2	S157-008	445	445	4/4	12	S157-307	575	400	1/4
3	S157-011	445	174	4/4	13	S157-406	419	70	3/4
4	S157-012	621	445	4/4	14	S157-407	600	360	1/4
5	S157-117	645	595	1/4	15	S157-507	431	40	3/4
6	S157-118	645	595	1/4	16	S157-512	545	40	3/4
7	S157-119	645	595	1/4	17	S157-912	381	498	2/4
8	S157-120	645	595	1/4	18	ZS2-509	500	120	1/4
9	S157-210	1500	645	2/4	19	ZS2-510	500	120	1/4
10	S157-211	451	645	2/4	20	ZS2-5523	370	120	1/4



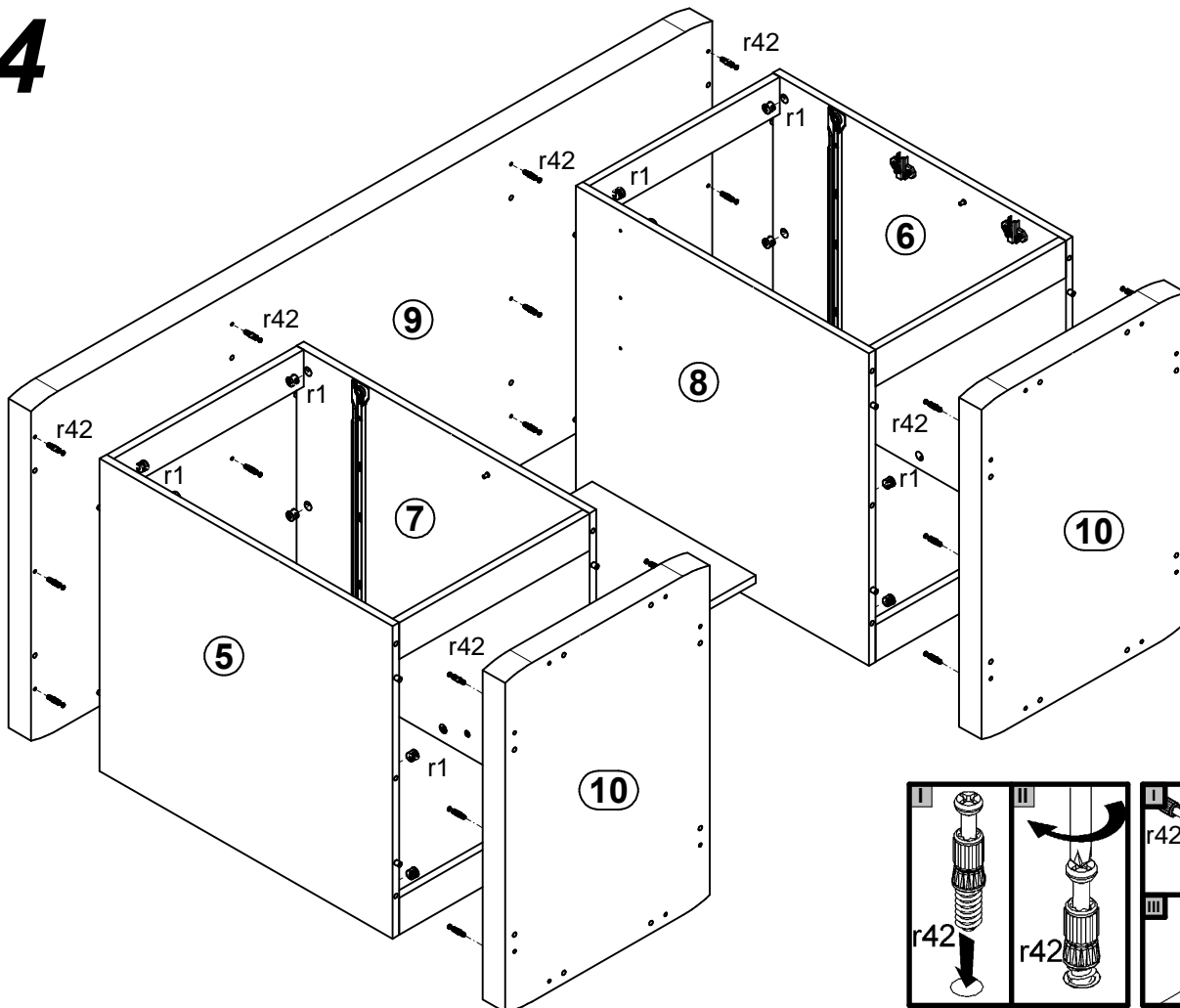
4x a44	4x b19	4x c333	8x φ5x17 mm d1	20x φ7x50 mm e1	12x φ5x9 mm e19	8x φ6,3x13 mm e2	18x φ6x13 mm e3	68x φ8x30 mm f1
8x φ6,5x40 mm f25	8x M4x18 mm j59	8x M6/φ9x14 mm k39/2	8x M6/22mm k39/3	4x φ3,5x13 mm p27	8x φ3,5x15 mm p51	36x φ1,5x12mm #16 r1	8x φ12x10,5mm #12 r15	44x r42
2x 500 mm w26\CL	2x 500 mm w26\CR	2x 500 mm w26\DL	2x 500 mm w26\DR	1x 350 mm w45\CL	1x 350 mm w45\CR	1x 350 mm w45\DL	1x 350 mm w45\DR	2x s1
24x ø16 s2	1x z1							



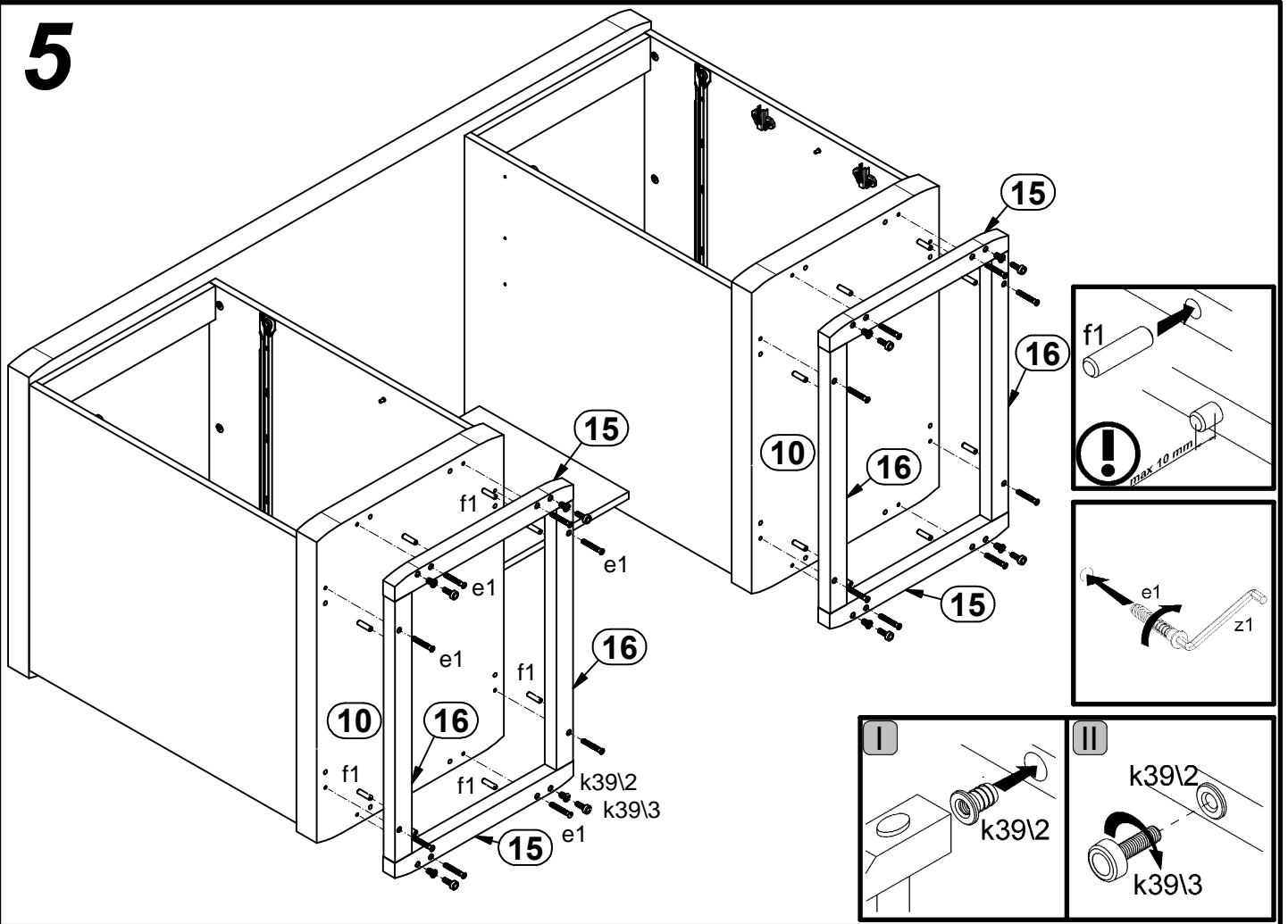
3



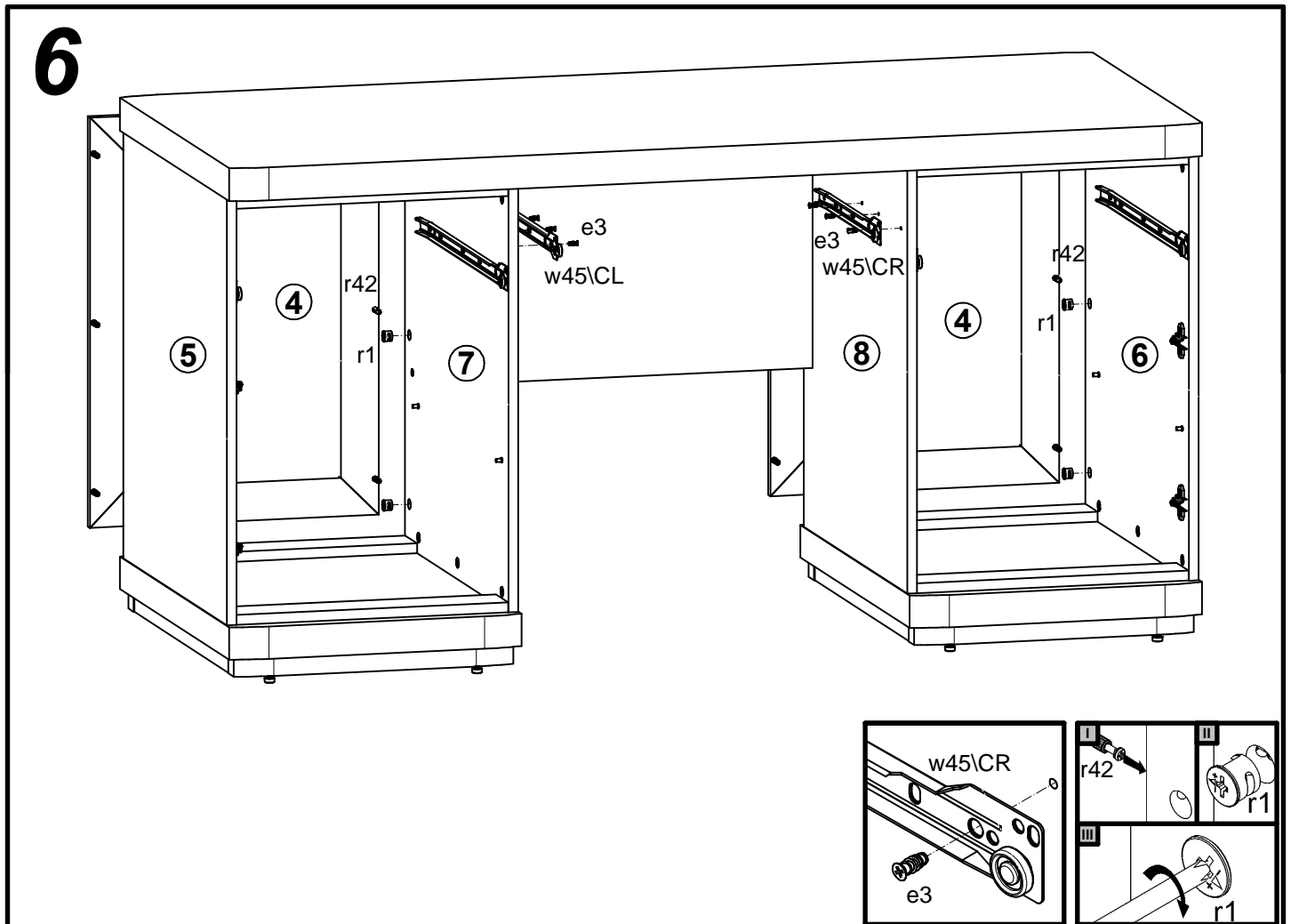
4



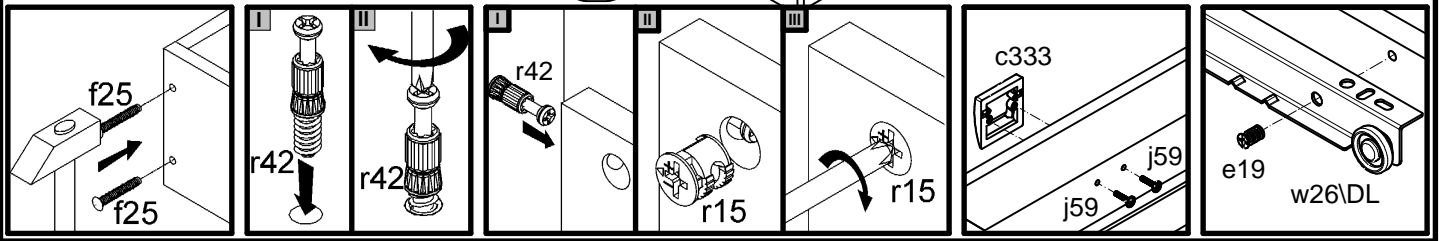
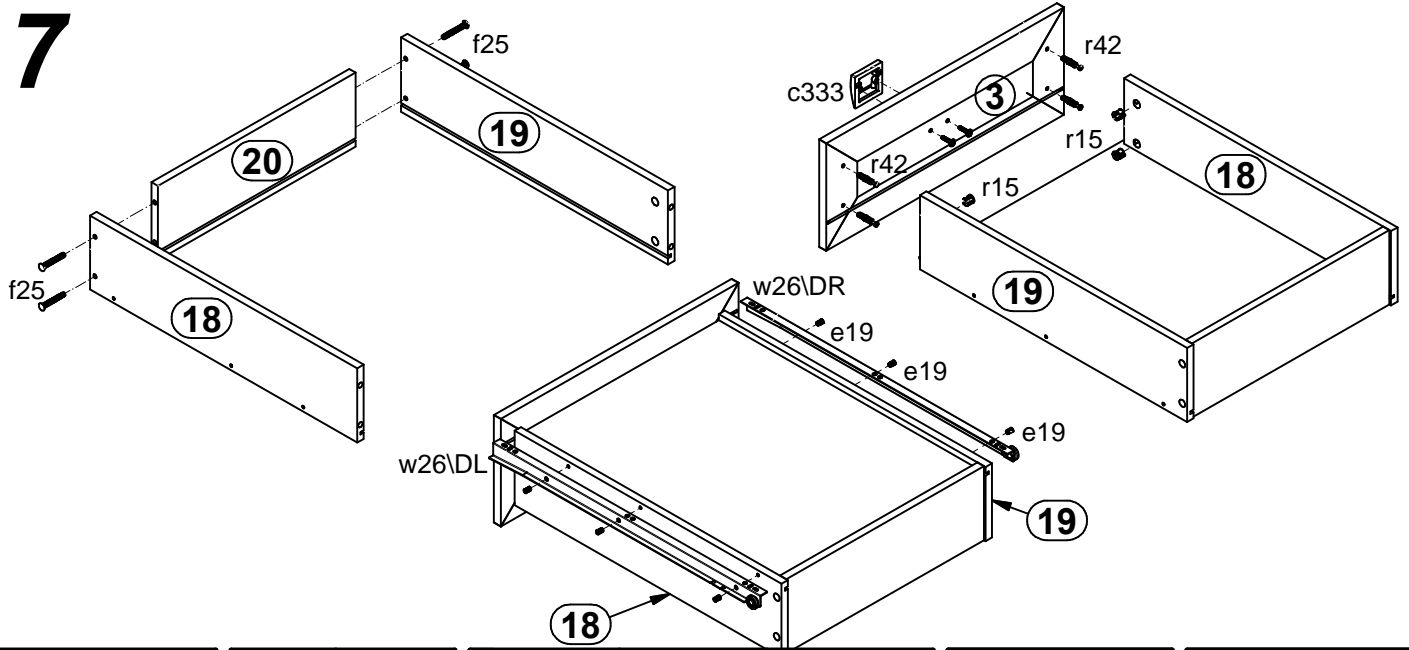
5



6



7



8

