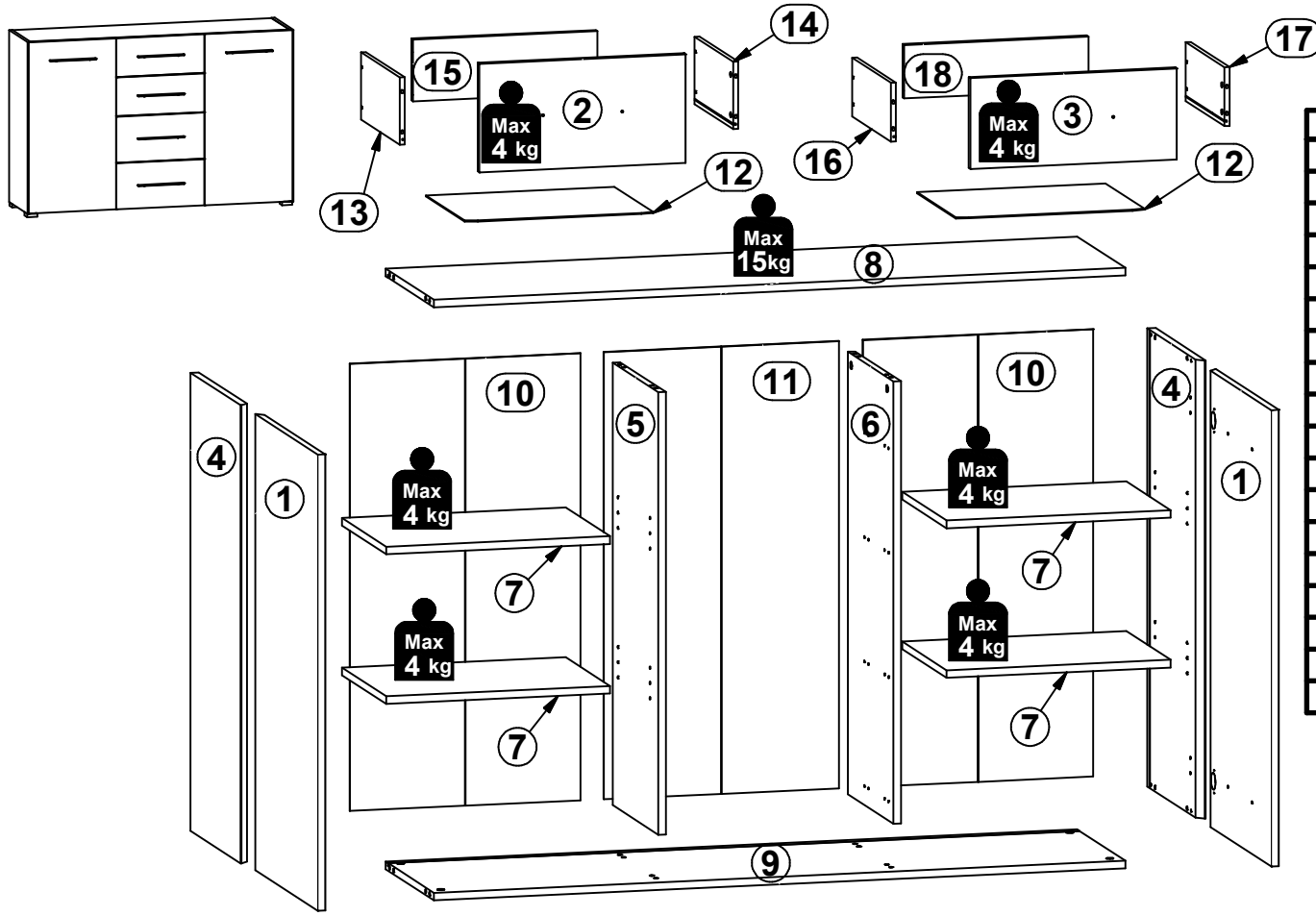


# A S229-KOM2D4S/10/15

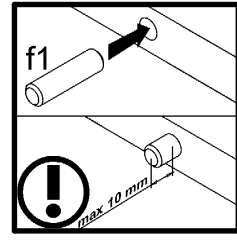
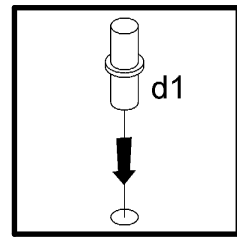
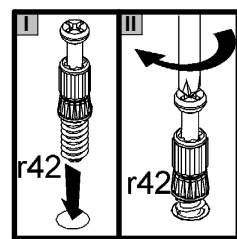
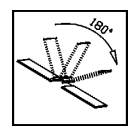
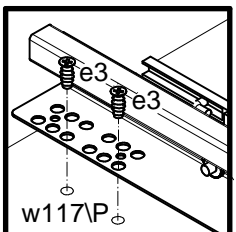
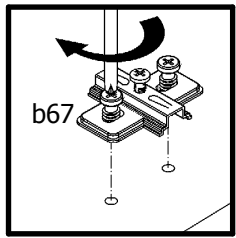
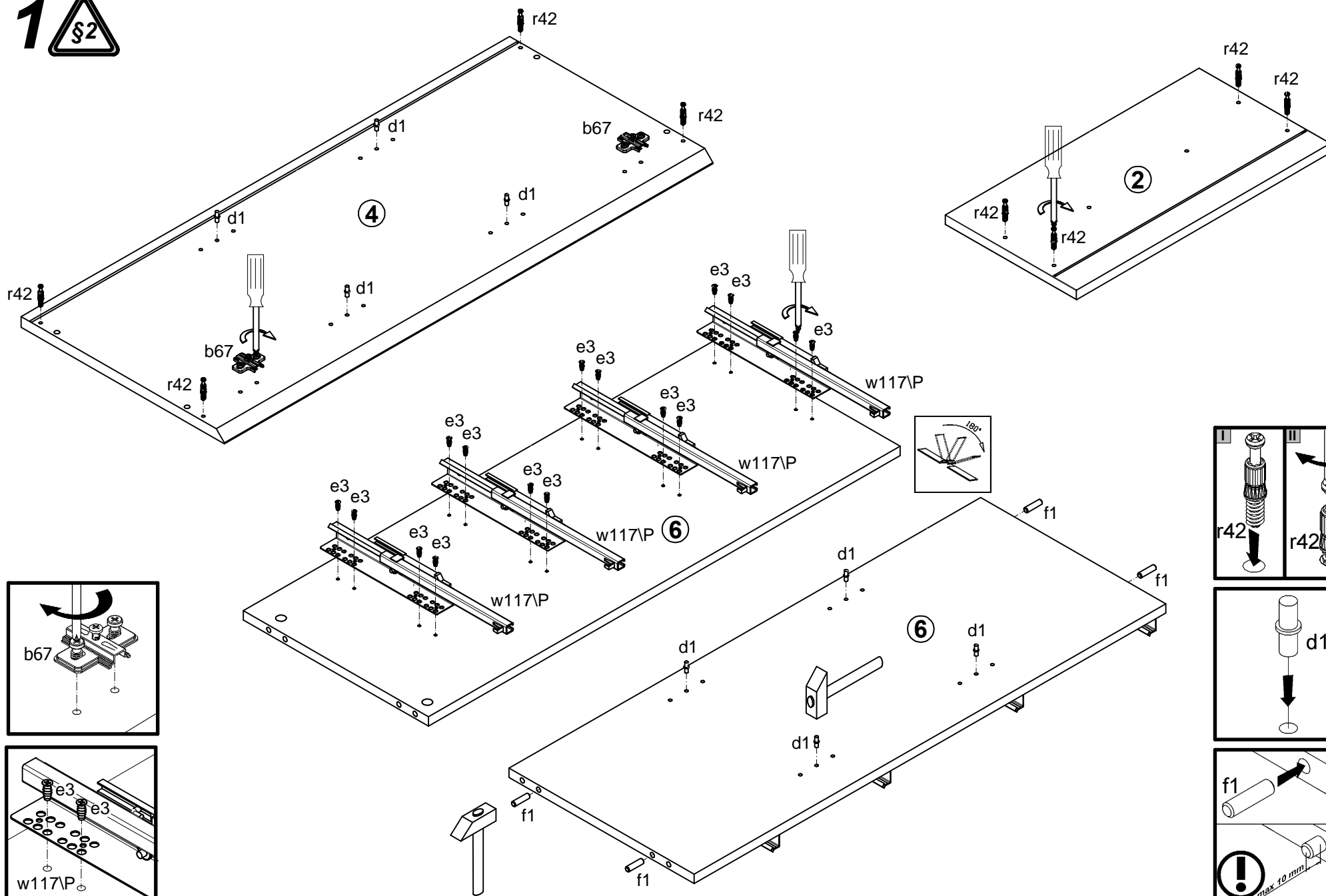
120min



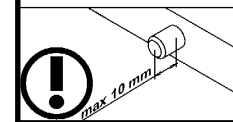
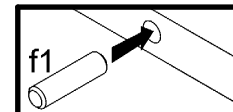
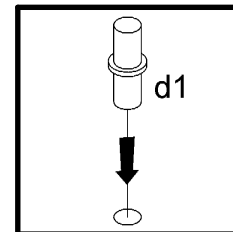
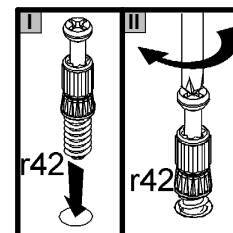
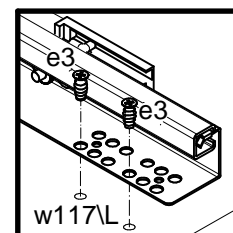
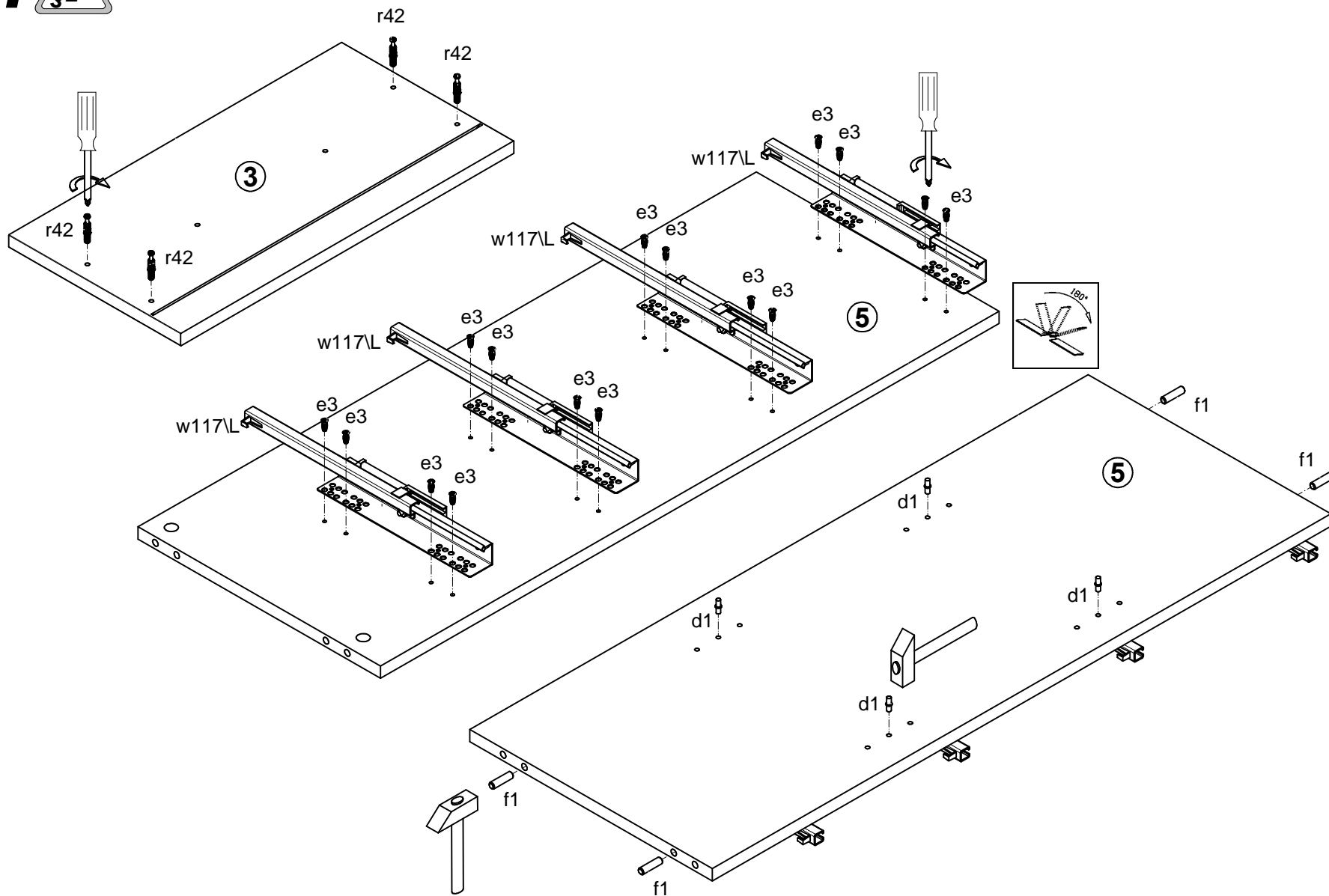
A	B	C (mm)		D
1	S229-009	957	500	3/3
2	S229-010	258	500	3/3
3	S229-011	216	500	3/3
4	S229-112	961	400	1/3
5	S229-114	928	364	1/3
6	S229-115	928	364	1/3
7	S229-308	479	354	2/3
8	S229-316	1479	384	2/3
9	S229-317	1479	384	2/3
10	S229-9903	938	493	1/3
11	S229-9906	938	503	1/3
12	WSP-963	457	358	1/3
13	WSQ5-505	350	160	2/3
14	WSQ5-506	350	160	2/3
15	WTQ-5063	447	147	2/3
16	WSQ4-505	350	140	2/3
17	WSQ4-506	350	140	2/3
18	WTQ-5069	447	127	2/3

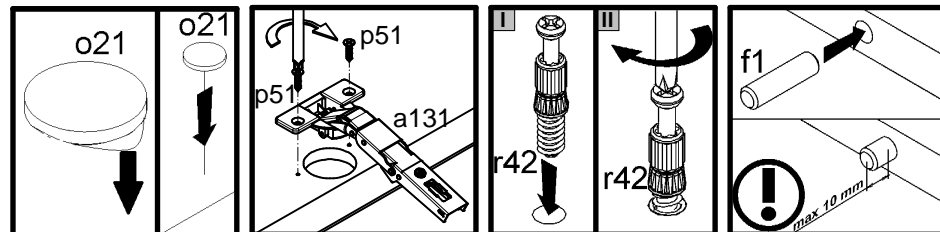
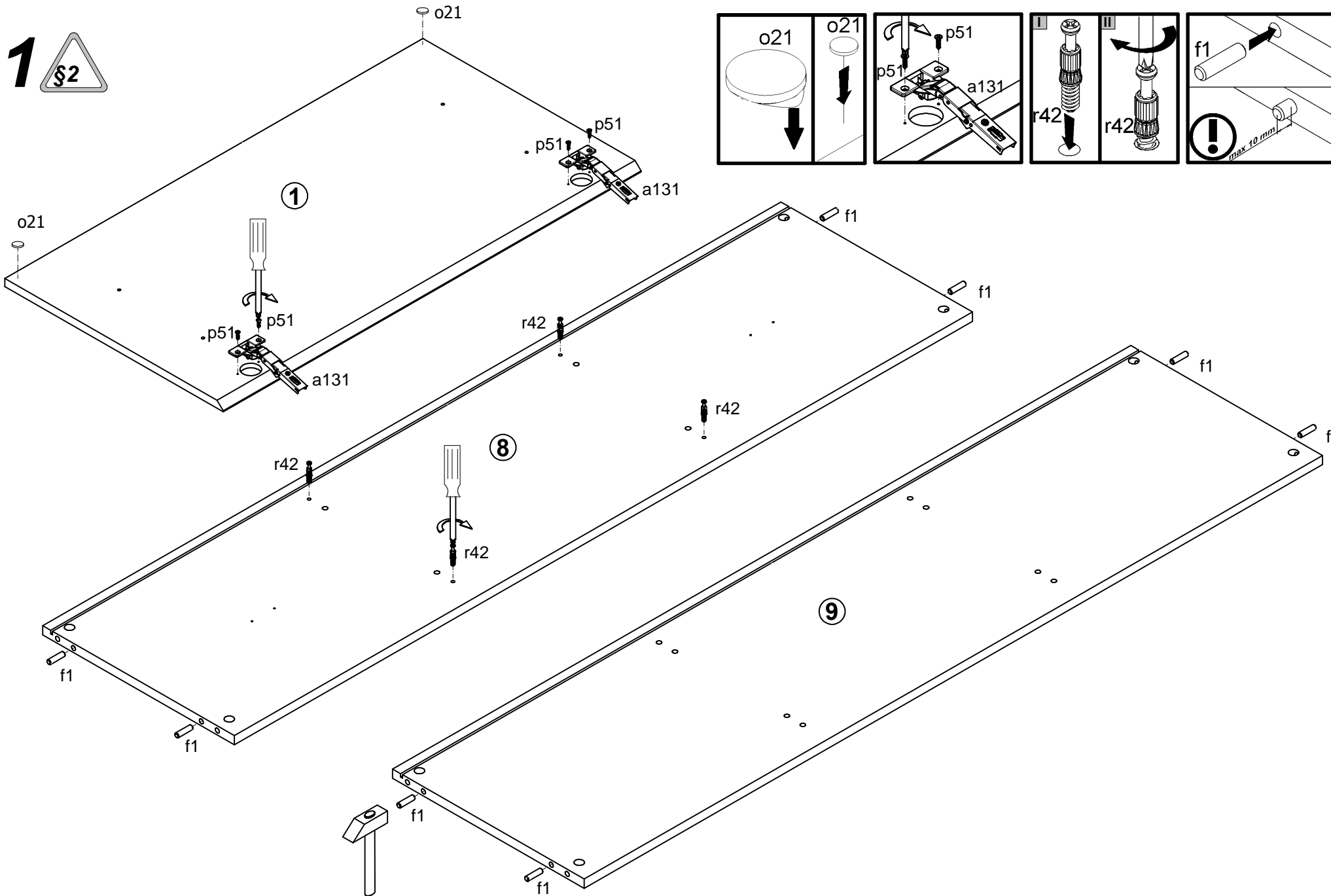


4x a131	4x b67	6x 192mm c398	16x Ø5x17 mm d1	4x Ø7x50 mm e1	44x Ø6x13 mm e3	16x Ø8x30 mm f1	16x Ø6,5x40 mm f25	2x 80x18x18mm f54	12x M4x22 mm j30	6x k8211	6x k8212	20x l2
14x 20x13x3,51 n108	4x silikon o21	4x Ø3,5x16 mm p25	4x Ø3,5x10 mm p35	16x Ø3,5x16 mm p38	8x Ø3,5x15 mm p51	14x Ø2,9x16 mm p55	12x Ø15x12 mm #16 r1	16x Ø12x10,5 mm #12 r15	28x 20/11 r42	10x Ø16 s2	4x 350 mm t35	4x 350 mm W117/L
4x 350 mm W117/P	1x z1	1x n2611	1x Ø3,5x16 mm p38									



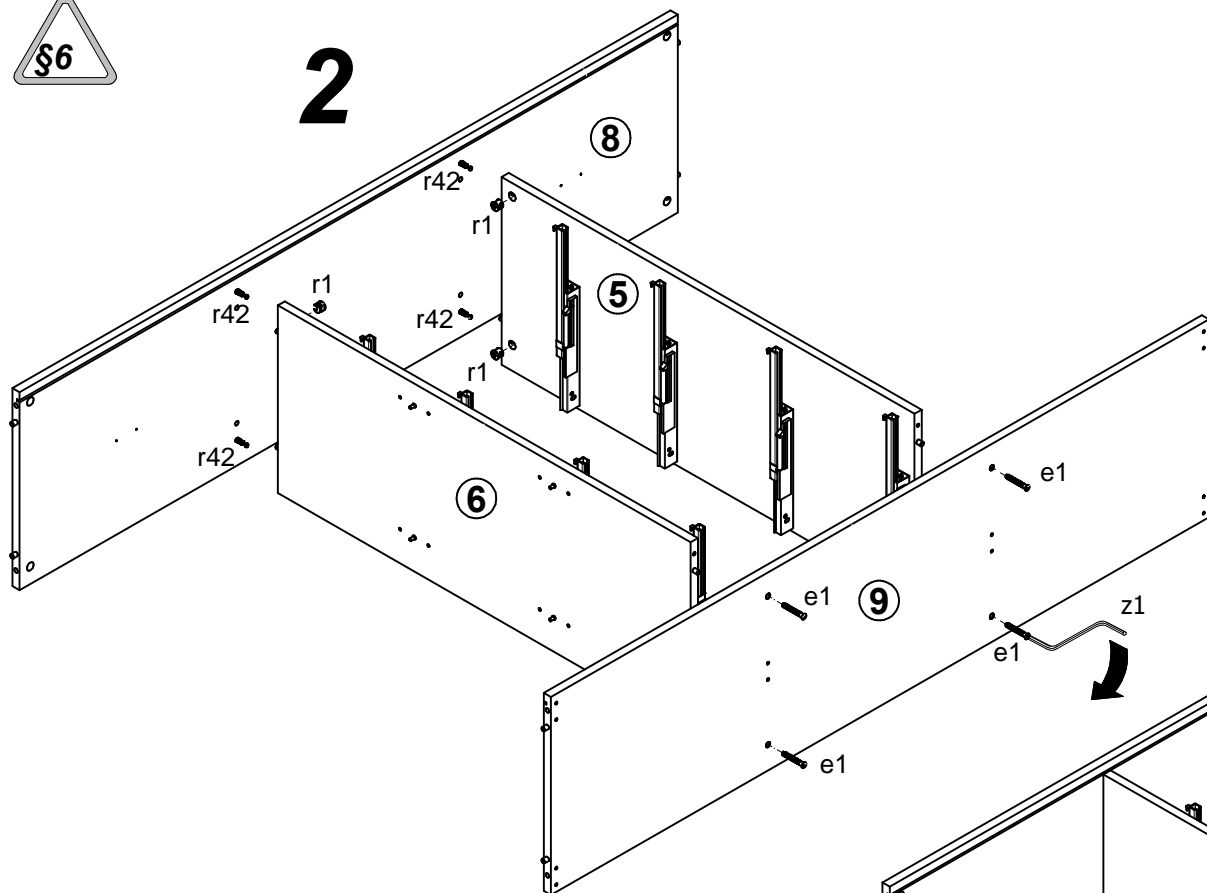
1 §2



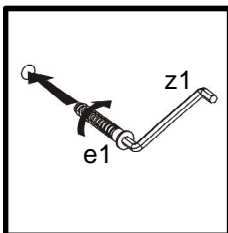
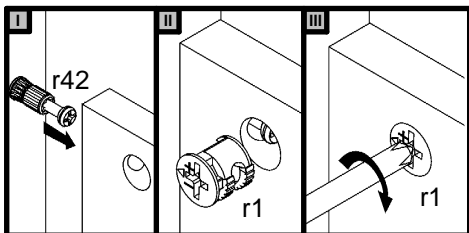
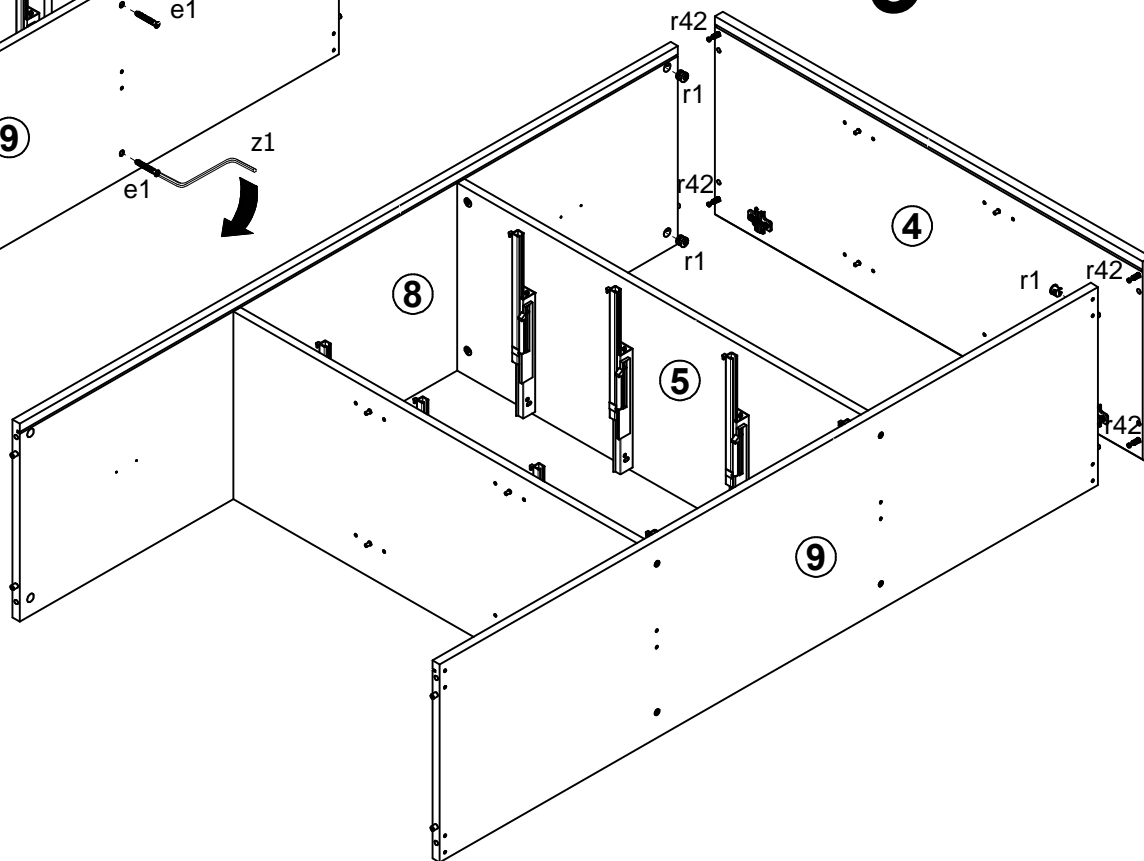




2

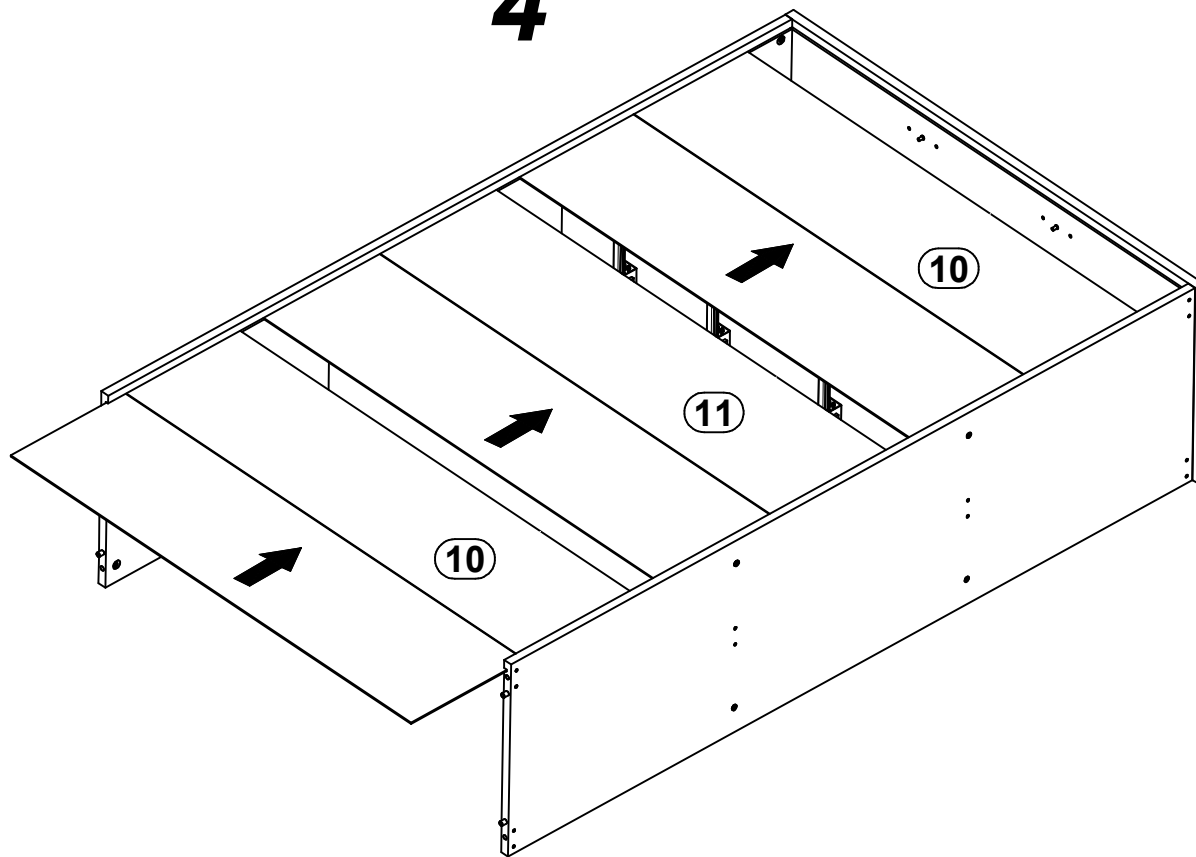


3

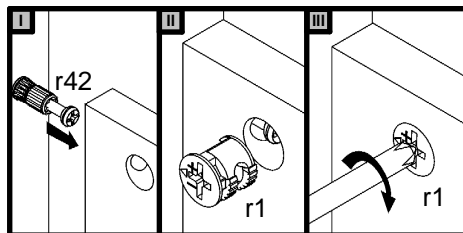
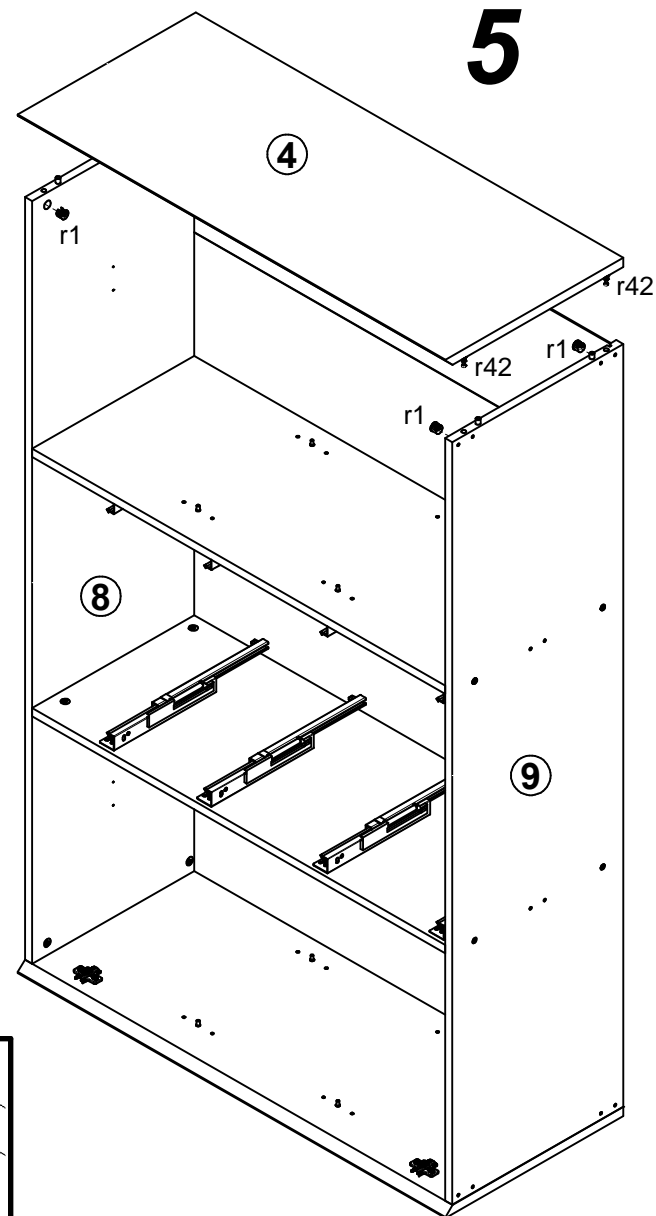




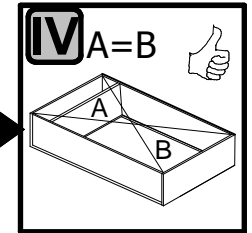
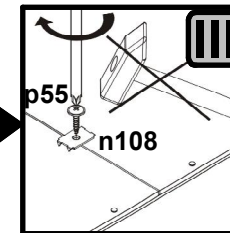
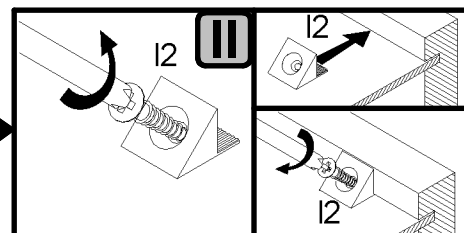
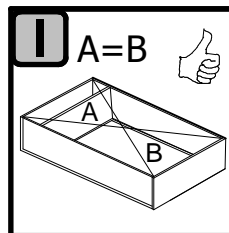
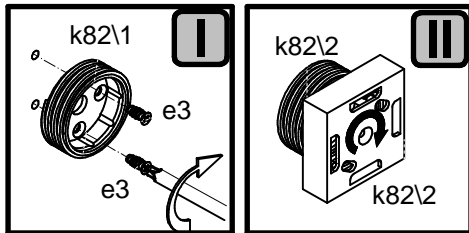
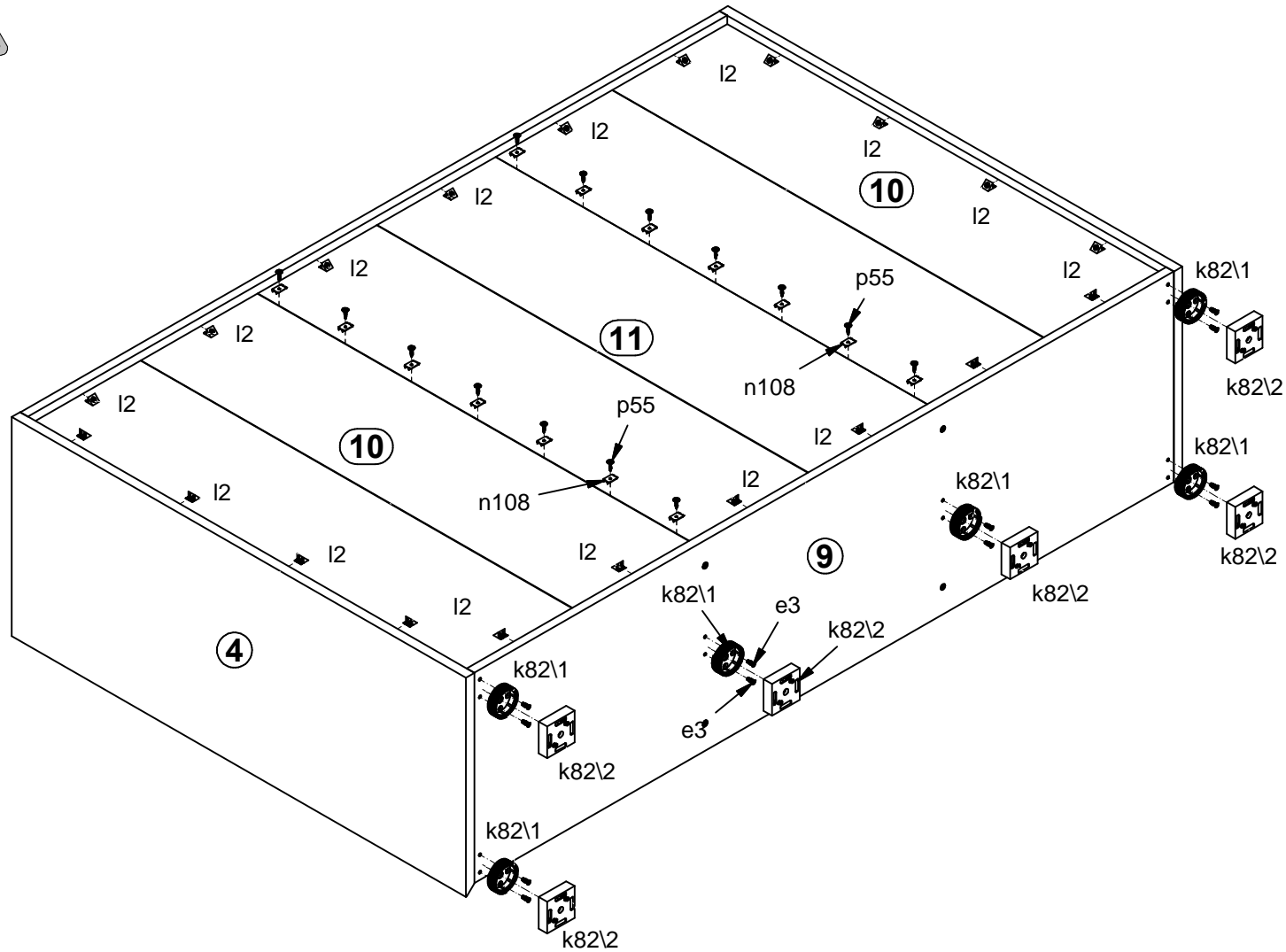
4



5

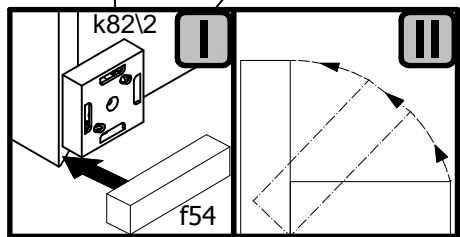
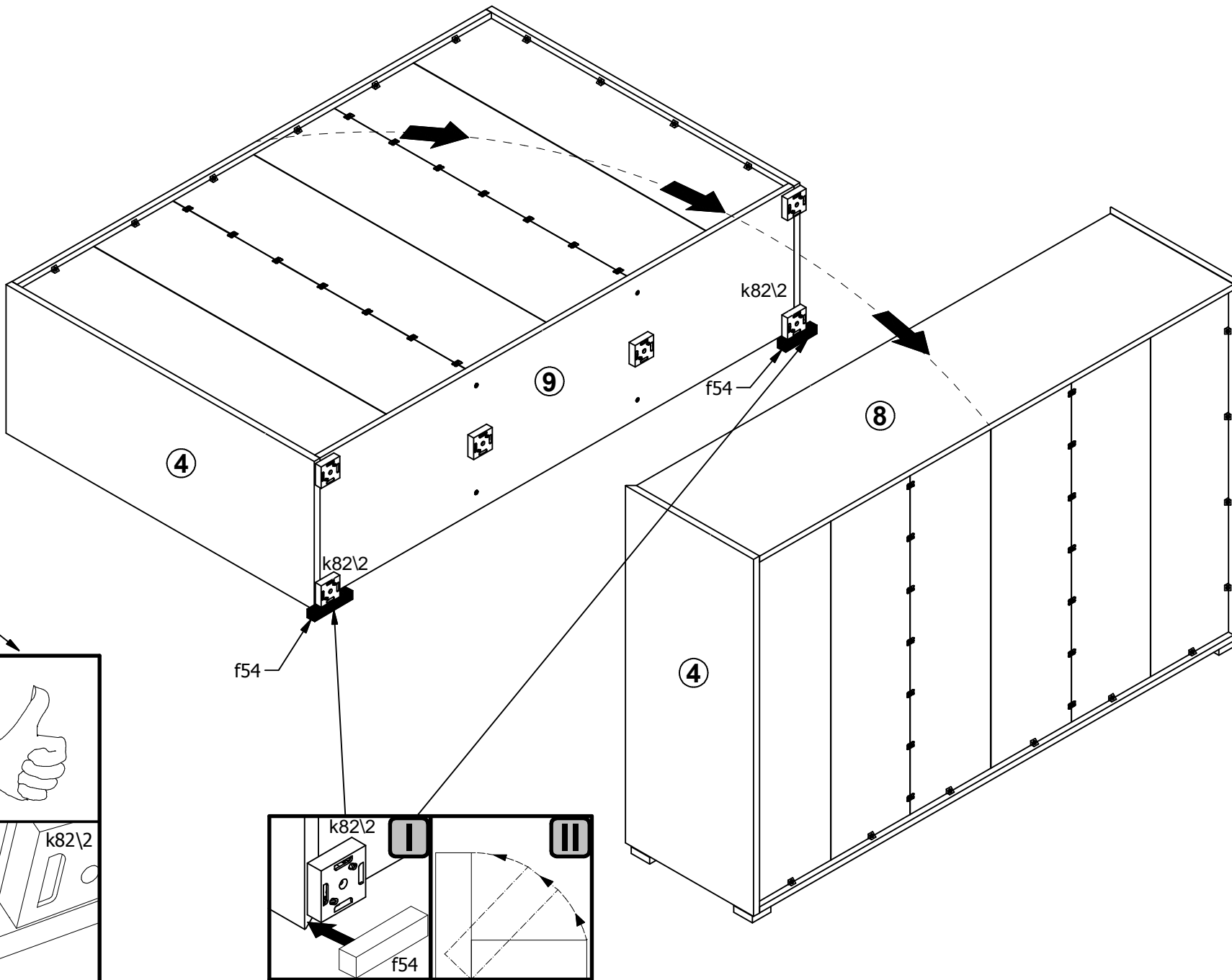
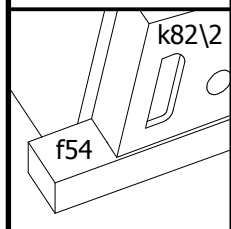
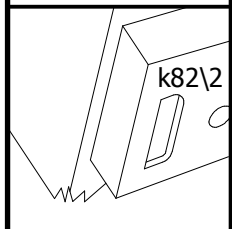
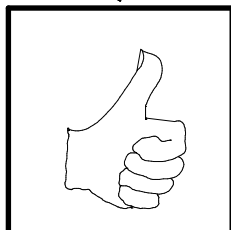
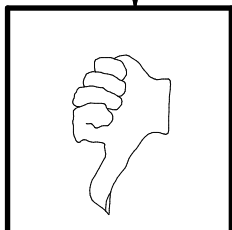
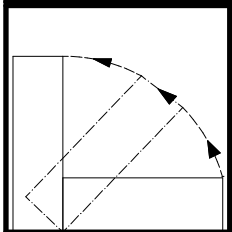
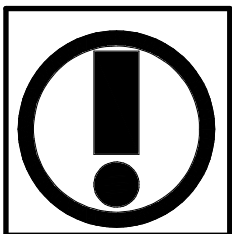


6

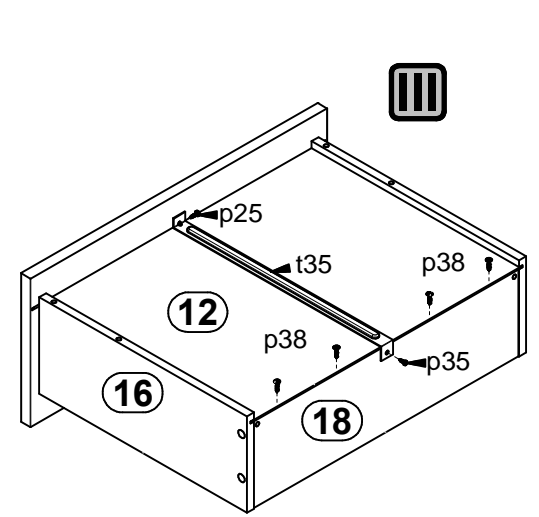
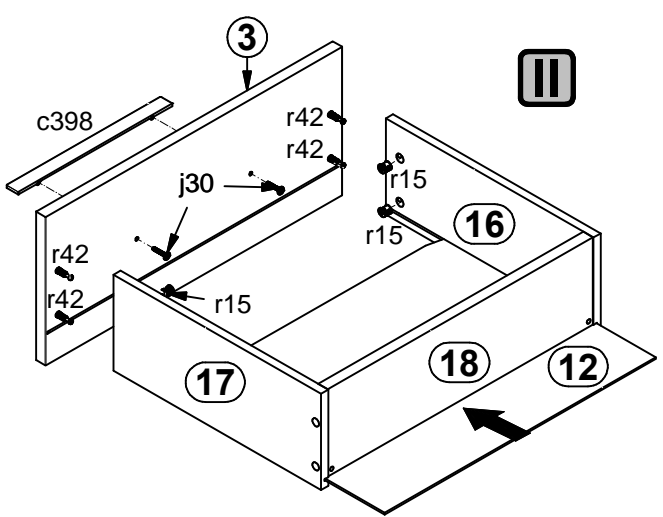
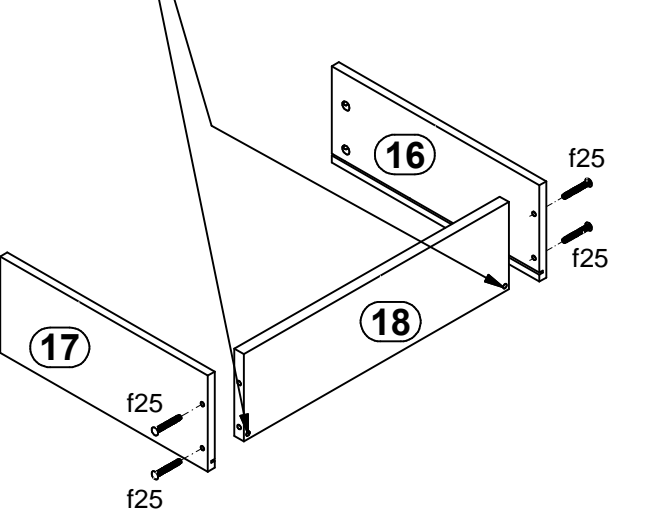
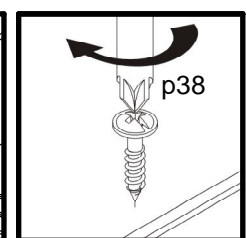
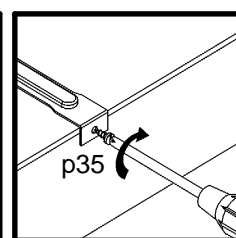
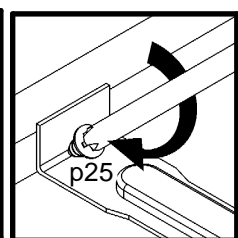
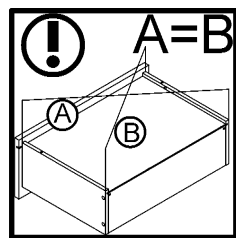
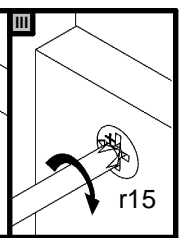
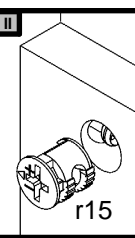
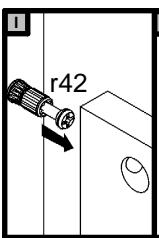
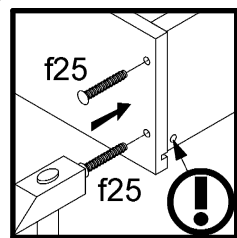
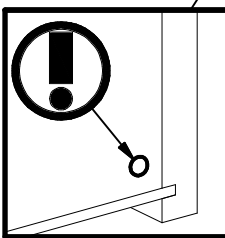
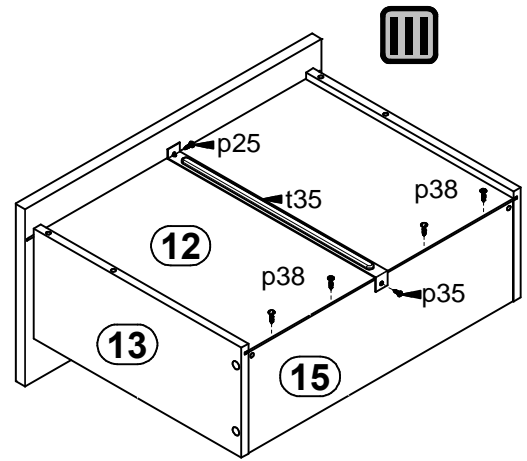
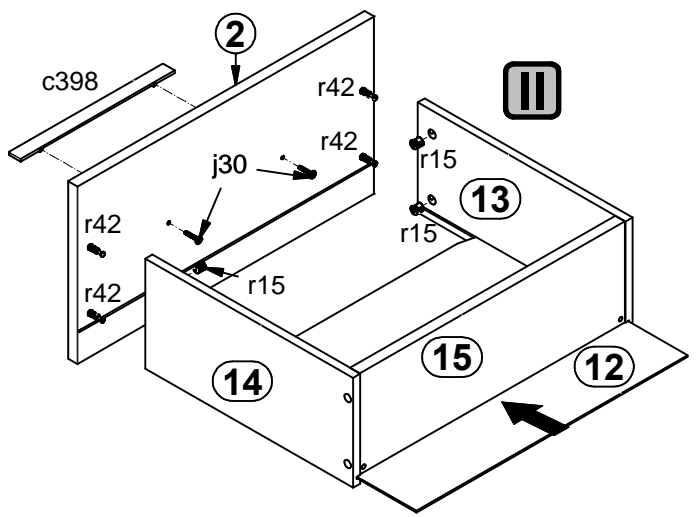
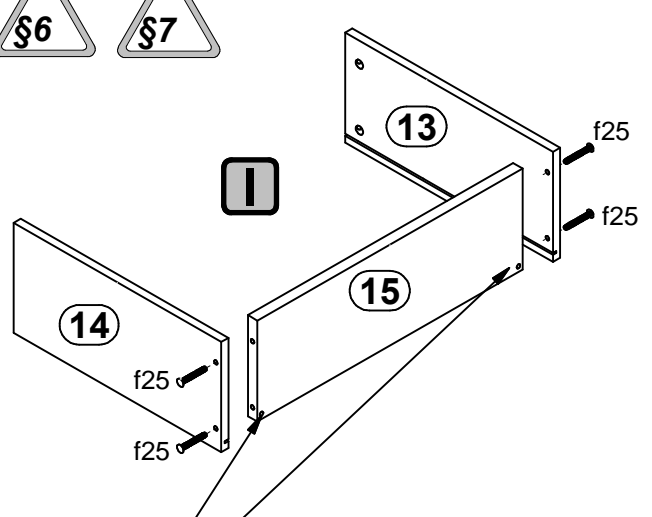




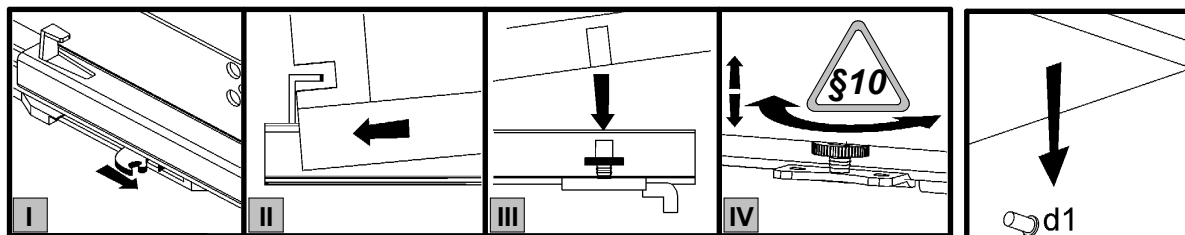
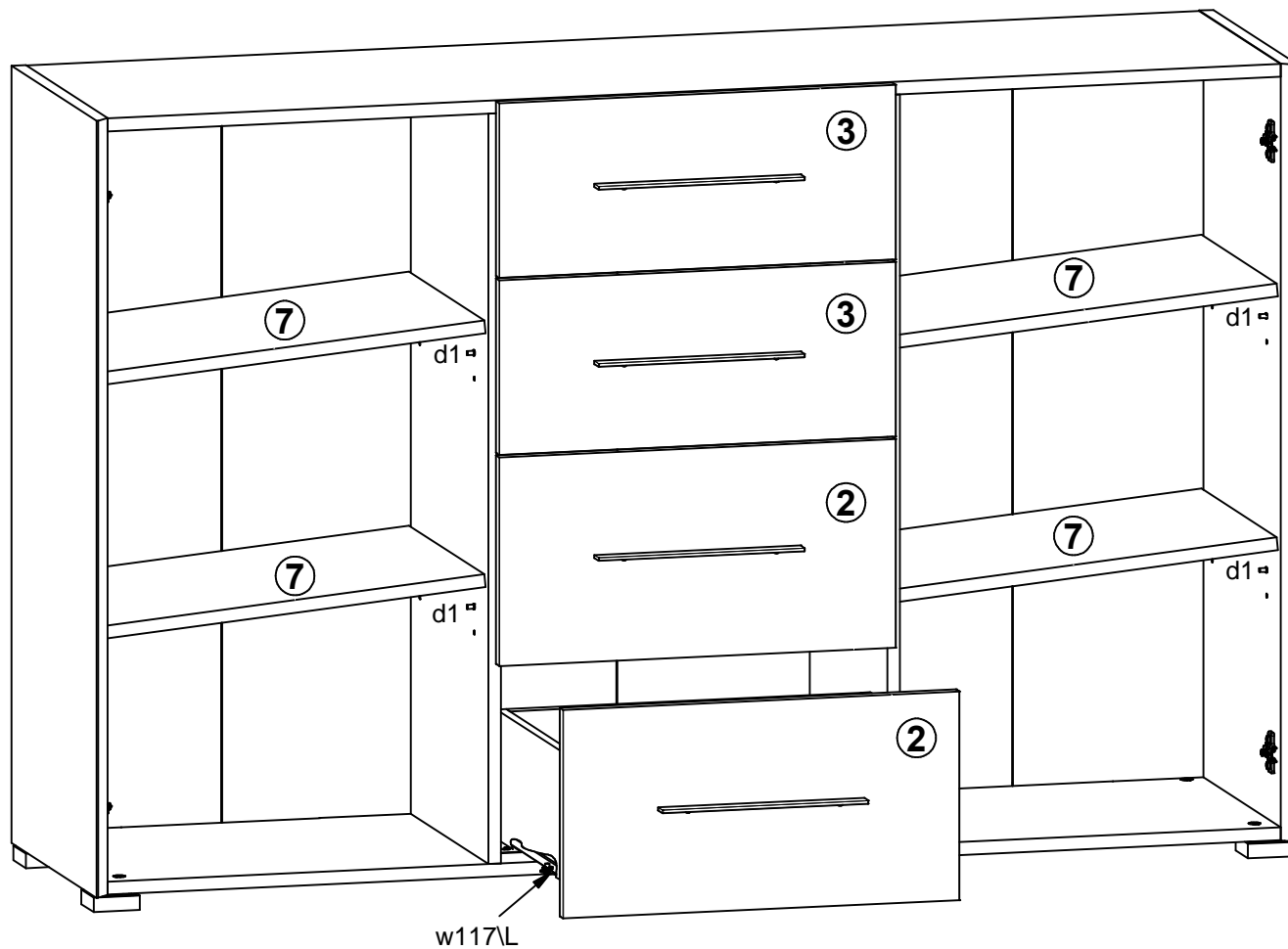
# 7



8



9 



10

