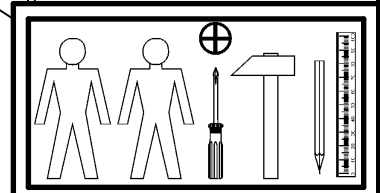
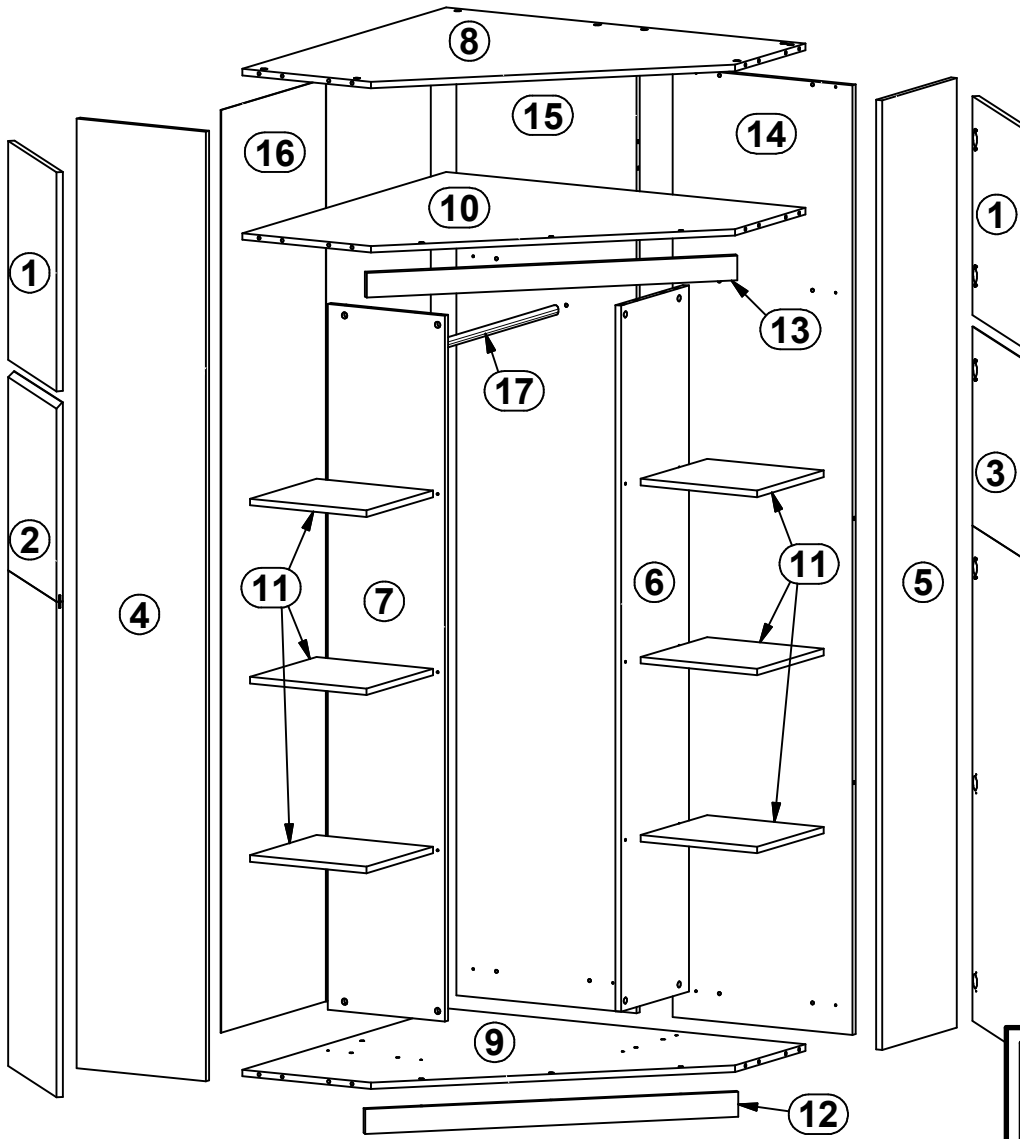
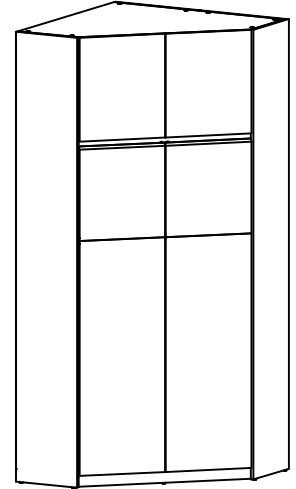
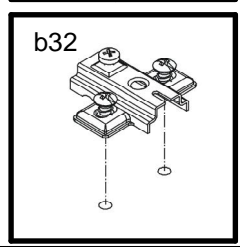
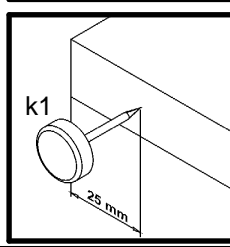
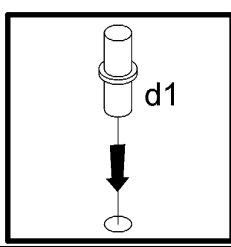
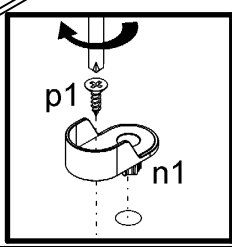
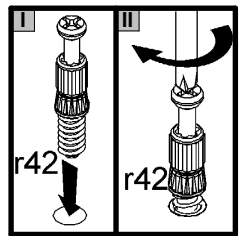
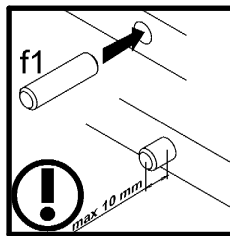
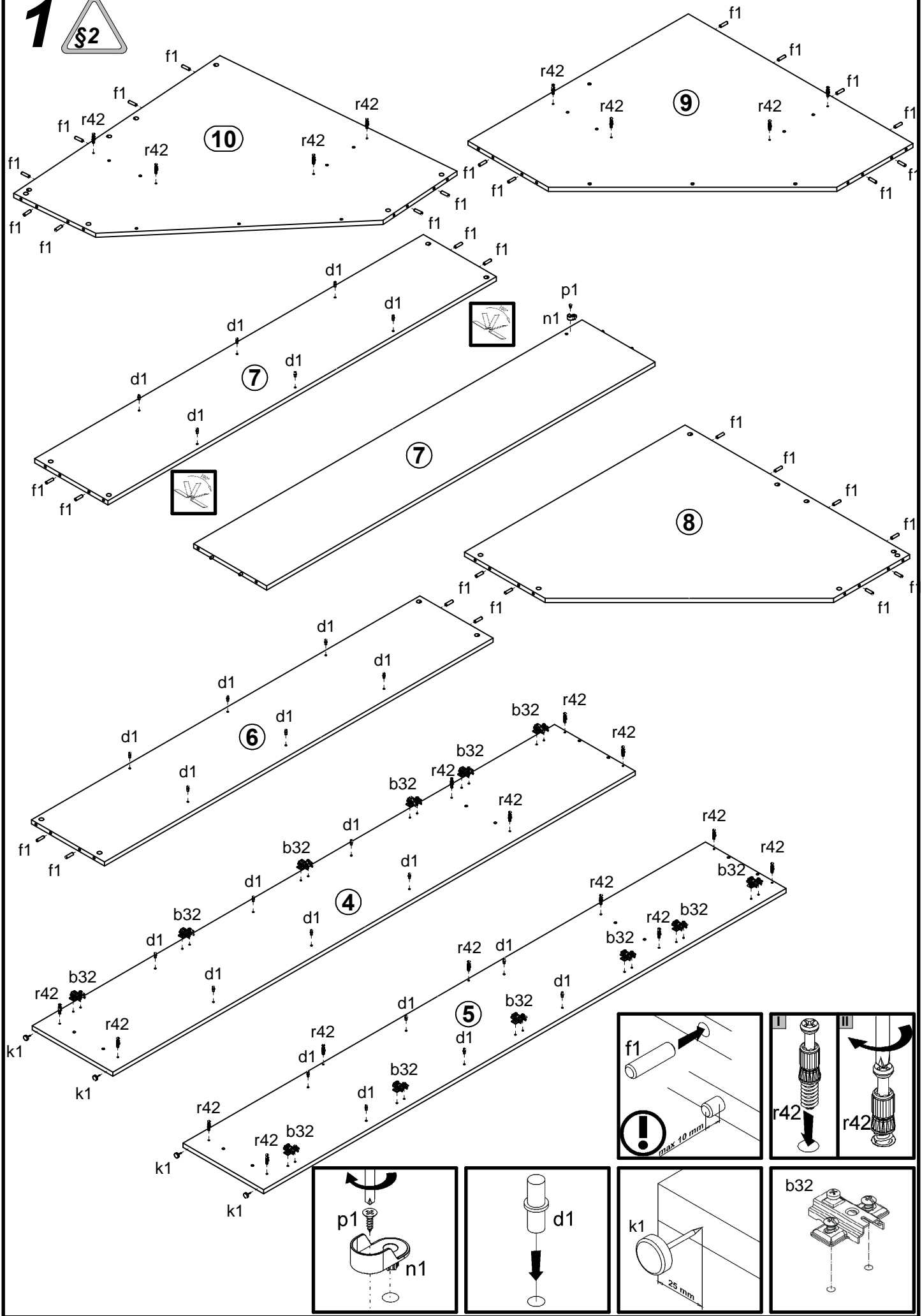


A	B	C	D	A	B	C	D	
1	S321-004	446	530	4/4	10	S321-330	989 970,5	3/4
2	S321-012	1682	446	4/4	11	S321-331	320 317	3/4
3	S321-013	1682	446	4/4	12	S321-423	920 60	3/4
4	S321-127	2300	355	1/4	13	S321-424	914 60	3/4
5	S321-128	2300	355	1/4	14	S321-425	2300 494	1/4
6	S321-129	1710	322	2/4	15	S321-426	2300 495	1/4
7	S321-130	1710	322	2/4	16	S321-915	2235 997	1/4
8	S321-328	989	970,5	3/4	17	dr-628	628 22	3/4
9	S321-329	989	970,5	3/4				

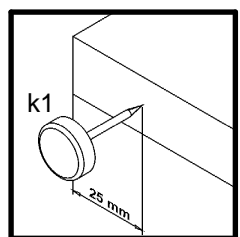
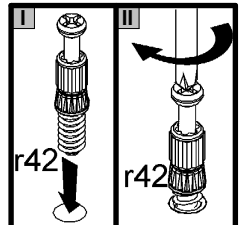
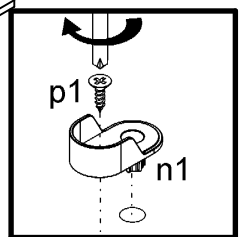
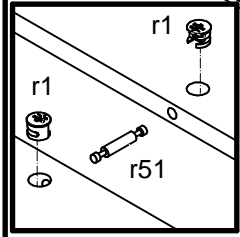
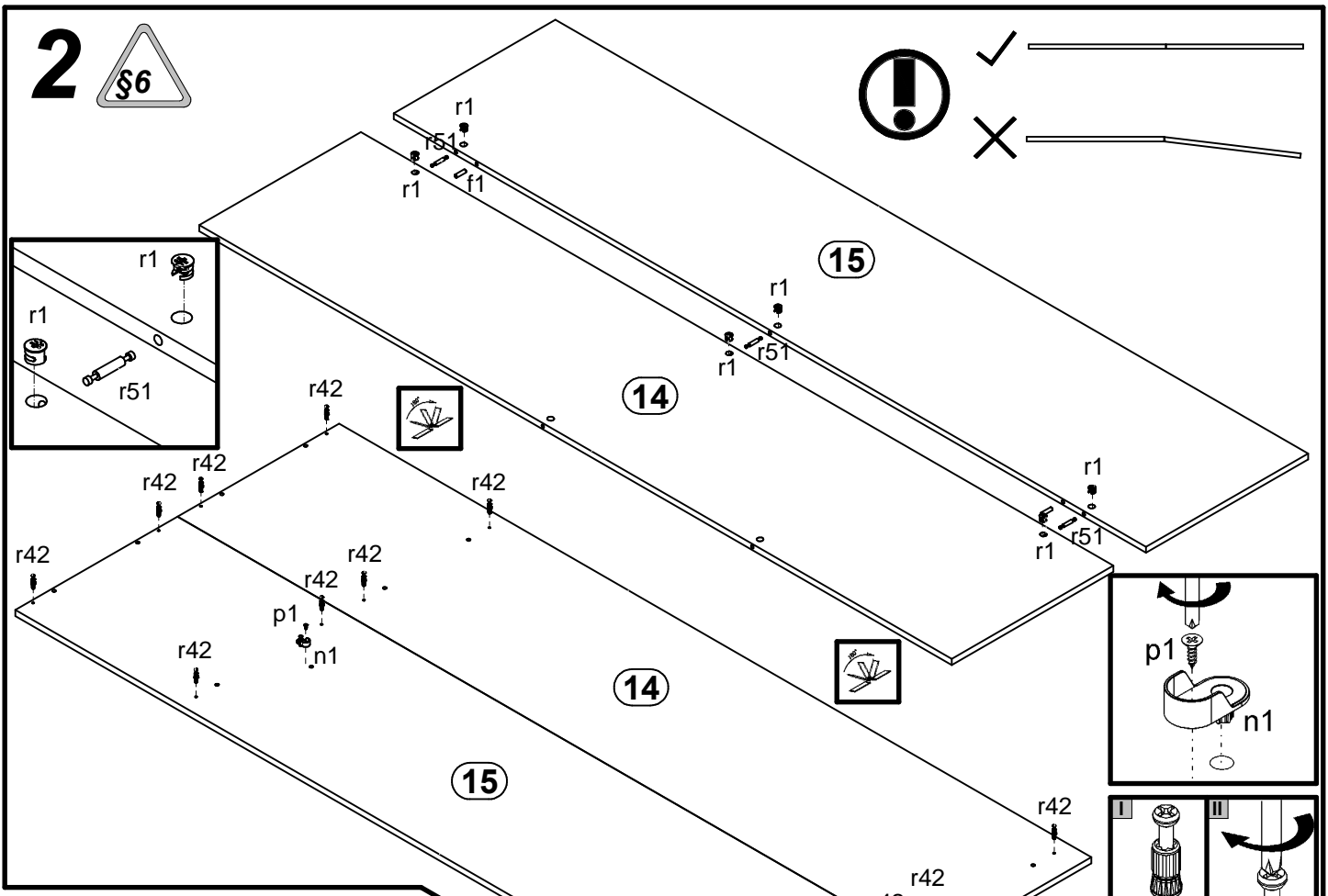
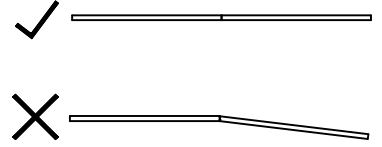


12x a94	12x b32	24x d1 Ø5x17 mm	6x e1 Ø7x50 mm	1x e11 Ø7x40 mm	34x f1 Ø8x30 mm	7x k1	1x k17/2 Ø60x66	95x l1
2x n1 h=22mm	6x o21 silikon	2x p1 Ø3,5x13 mm	24x p51 Ø3,5x15 mm	40x r1 Ø15x12 mm #16	34x r2 20/11	3x r51 40 mm	7x s1	16x s2 Ø16
2x s62	1x z1							

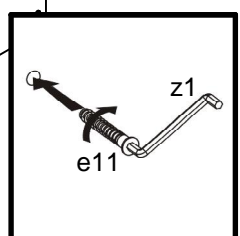
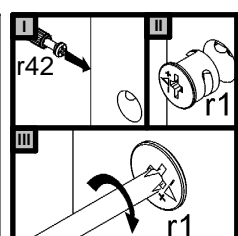
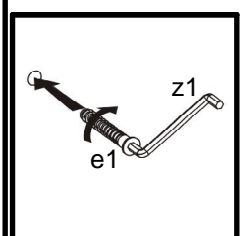
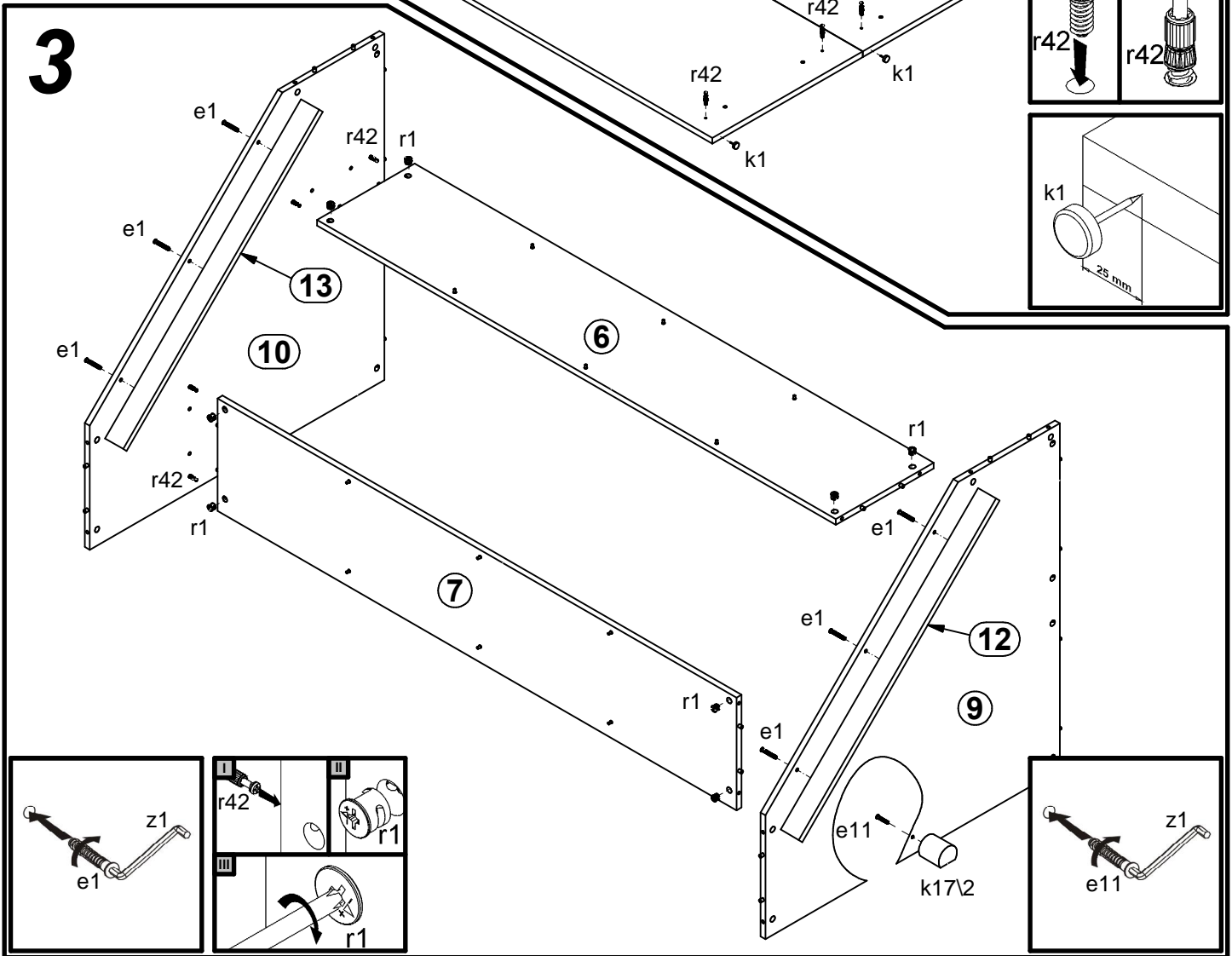
1



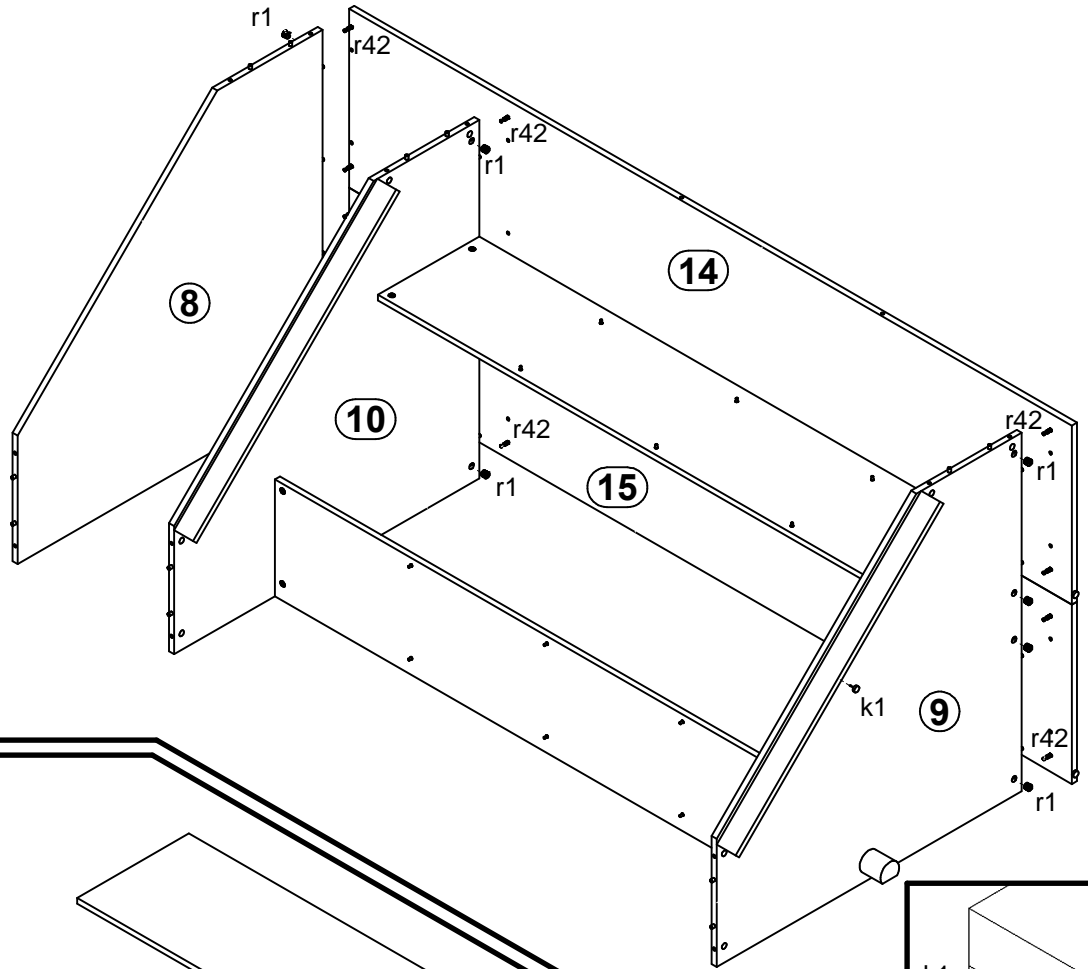
2



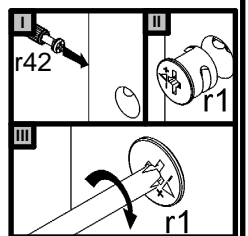
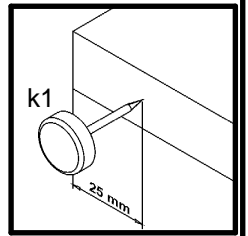
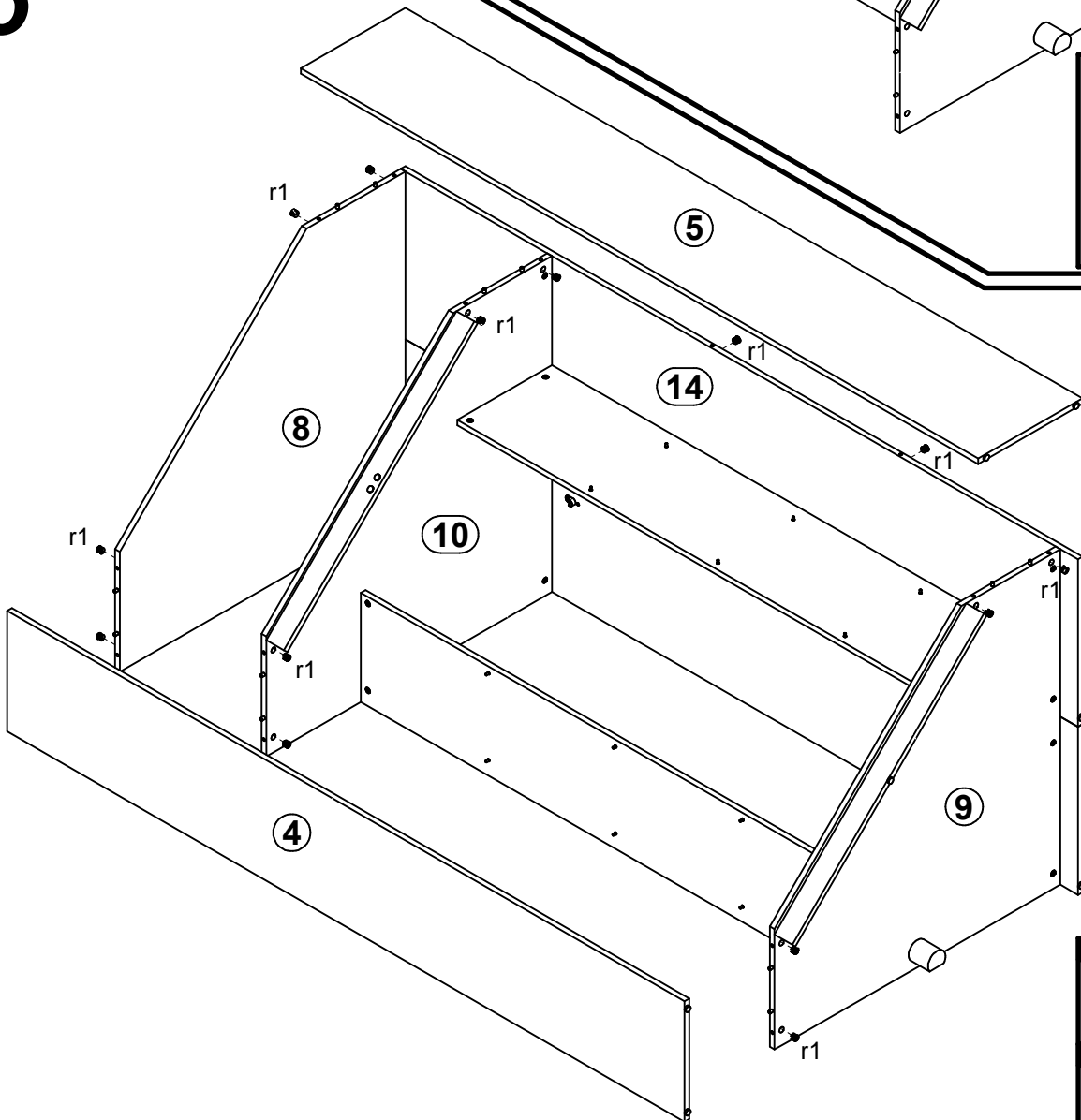
3



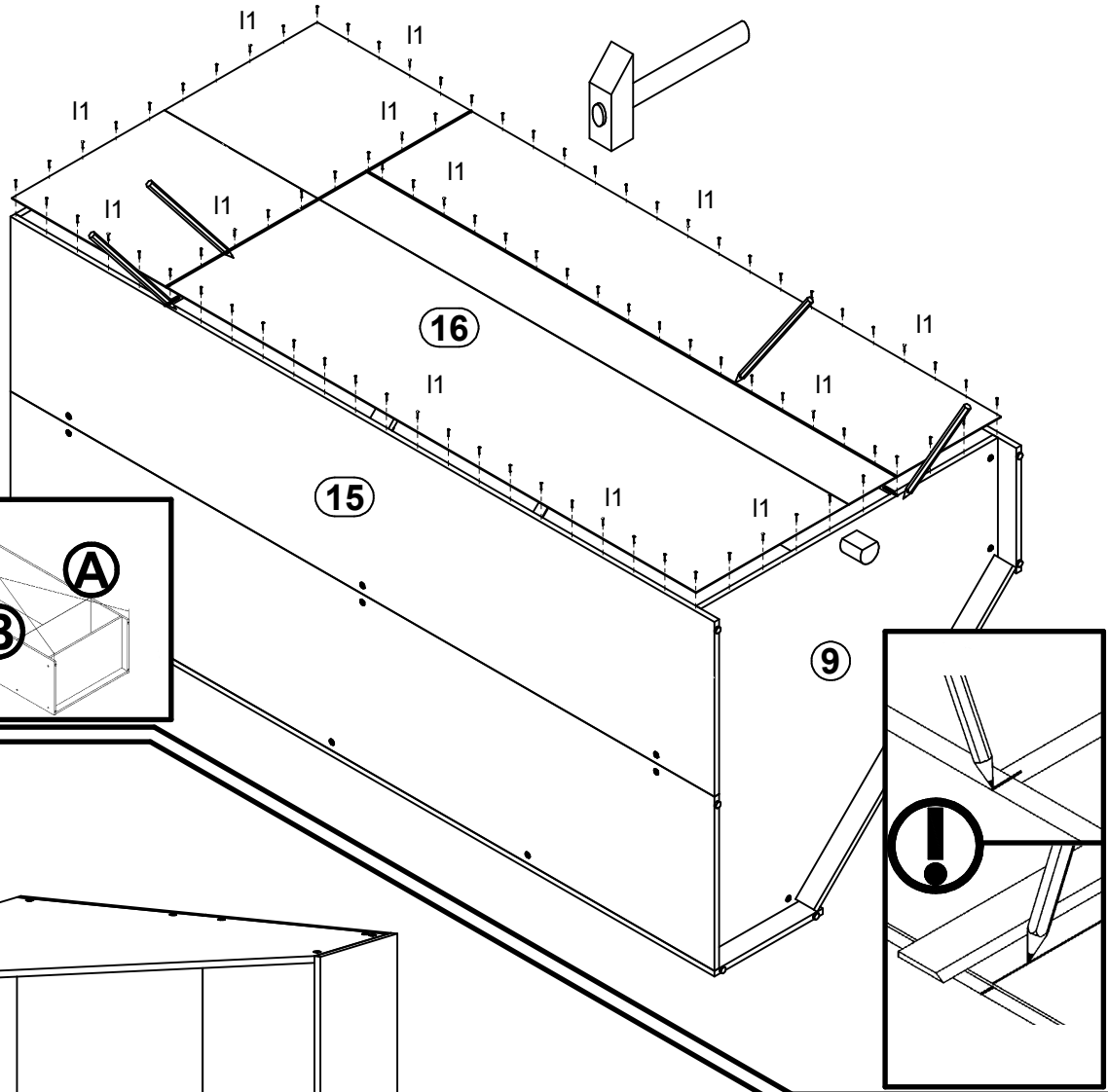
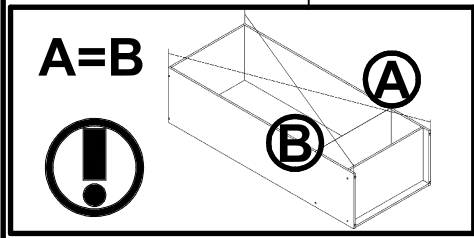
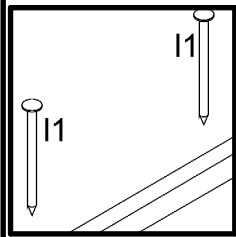
4



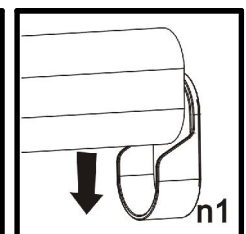
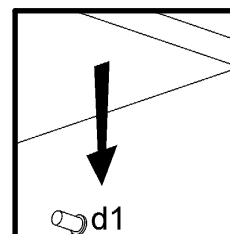
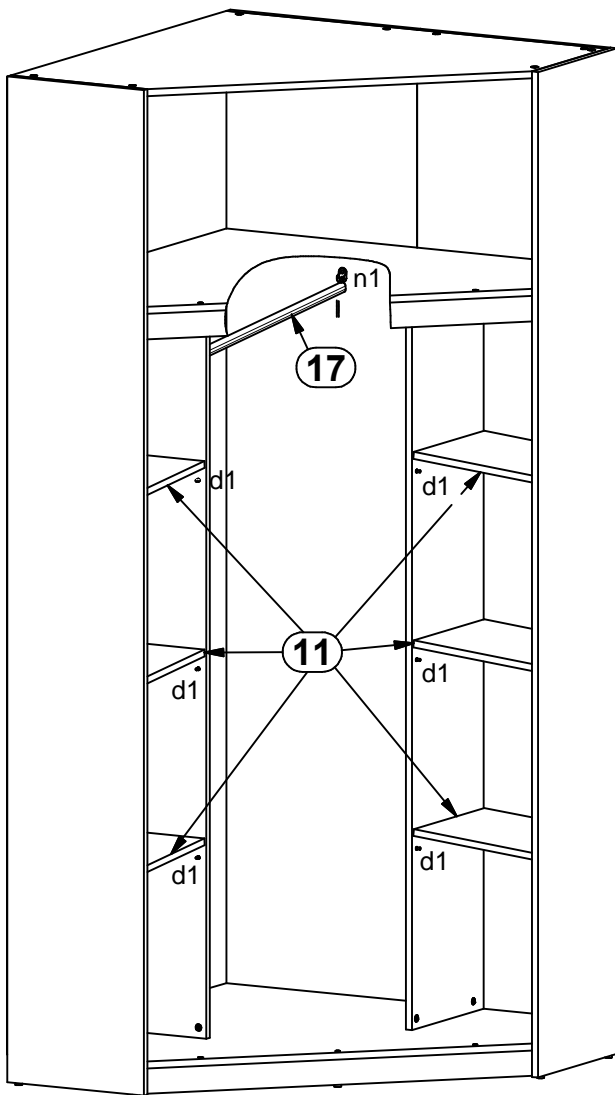
5



6



7



8

