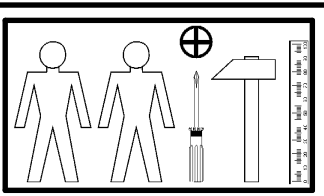
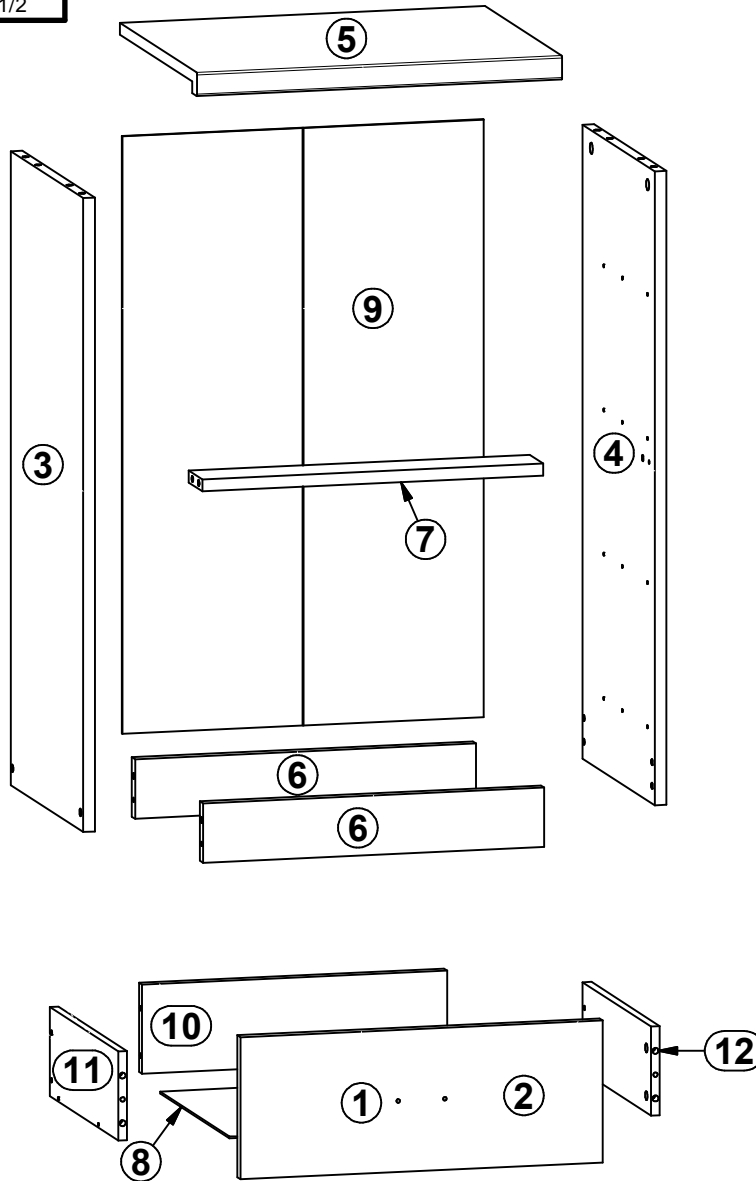
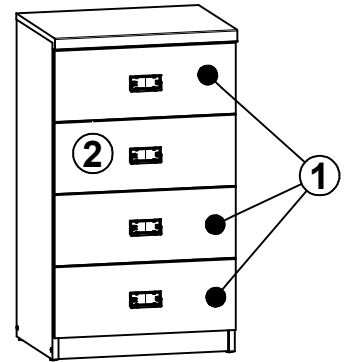
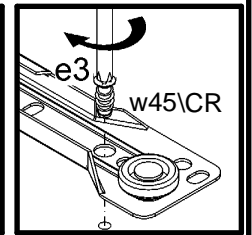
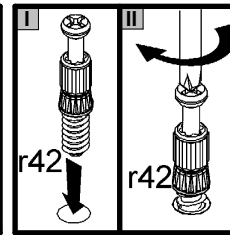
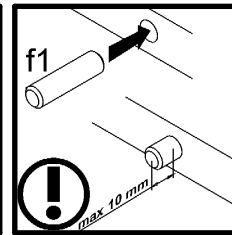
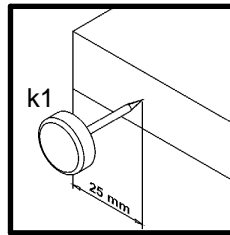
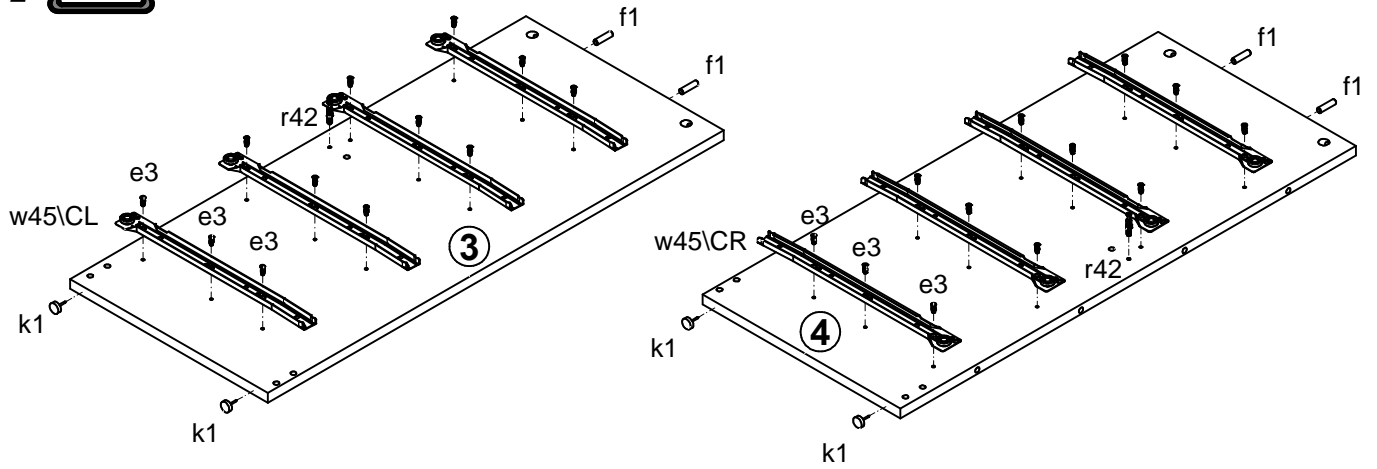


A	B	C	D	
1	S325-011	496	191	2/2
2	S325-029	496	191	2/2
3	S325-114	853	370	1/2
4	S325-115	853	370	1/2
5	S325-207	500	395	1/2
6	S325-408	467	80	1/2
7	S325-409	467	70	1/2
8	S325-911	440	355	1/2
9	S325-913	804	495	1/2
10	ZS3-5561	418	120	1/2
11	ZS4-501	350	120	1/2
12	ZS4-502	350	120	1/2

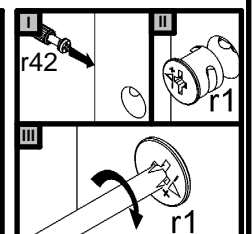
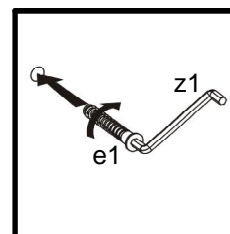
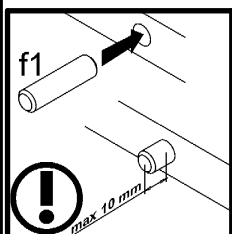
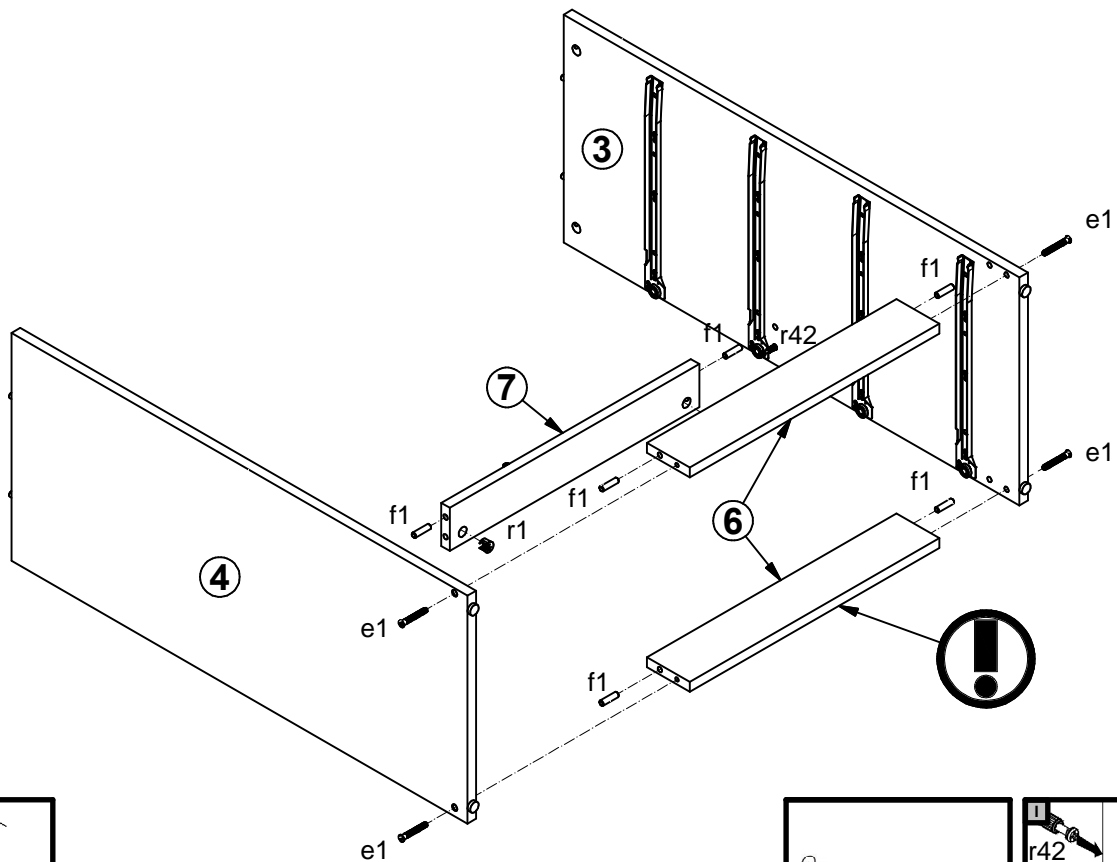


4x 64 mm c417	4x Ø7x50 mm e1	24x Ø6x13 mm e3	16x Ø5x9 mm e19	10x Ø8x30 mm f1	8x Ø6x30 mm f9	16x Ø6.5x40 mm f25	8x M4x22 mm j30	4x k1
25x l1	1x n26	8x silikon o21	21x Ø3.5x16 mm p38	6x Ø15x12 mm #16 r1	16x Ø12x10.5 mm #12 r15	22x 20/11 r42	4x s1	2x Ø16 s2
4x 350 mm w45\CL	4x 350 mm w45\CR	4x 350 mm w45\DL	4x 350 mm w45\DR	1x z1				

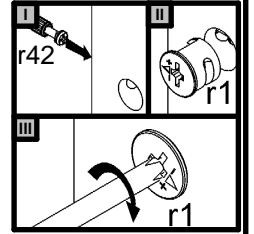
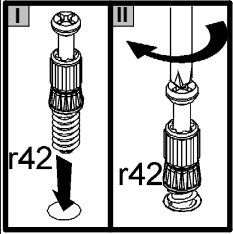
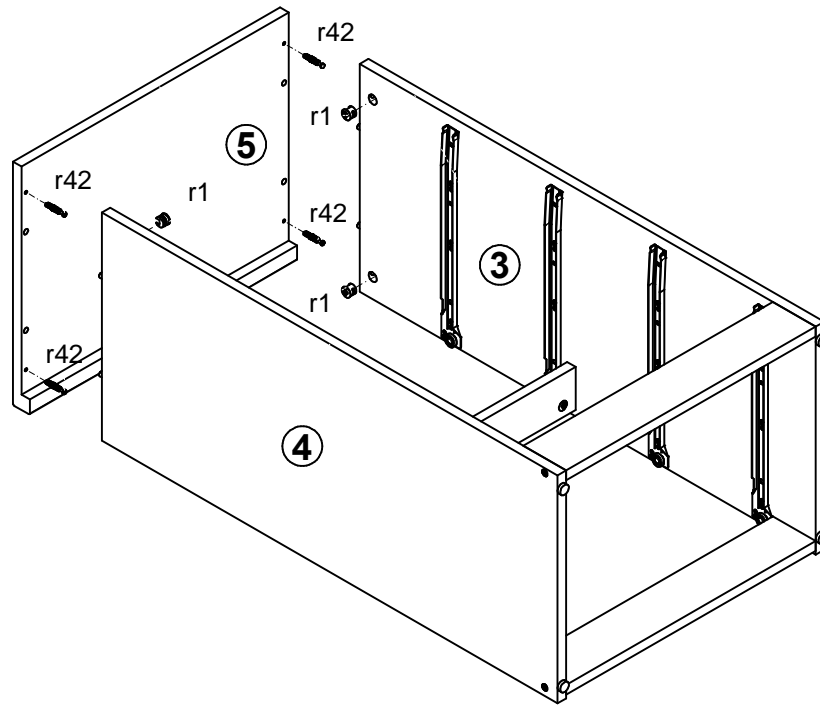
# 1



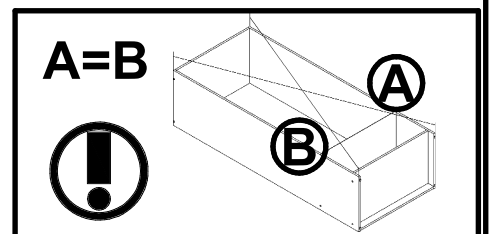
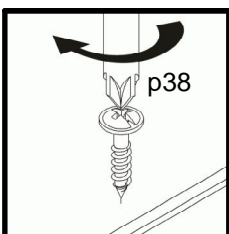
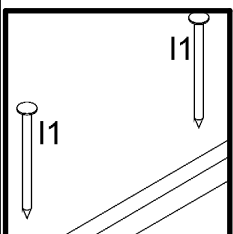
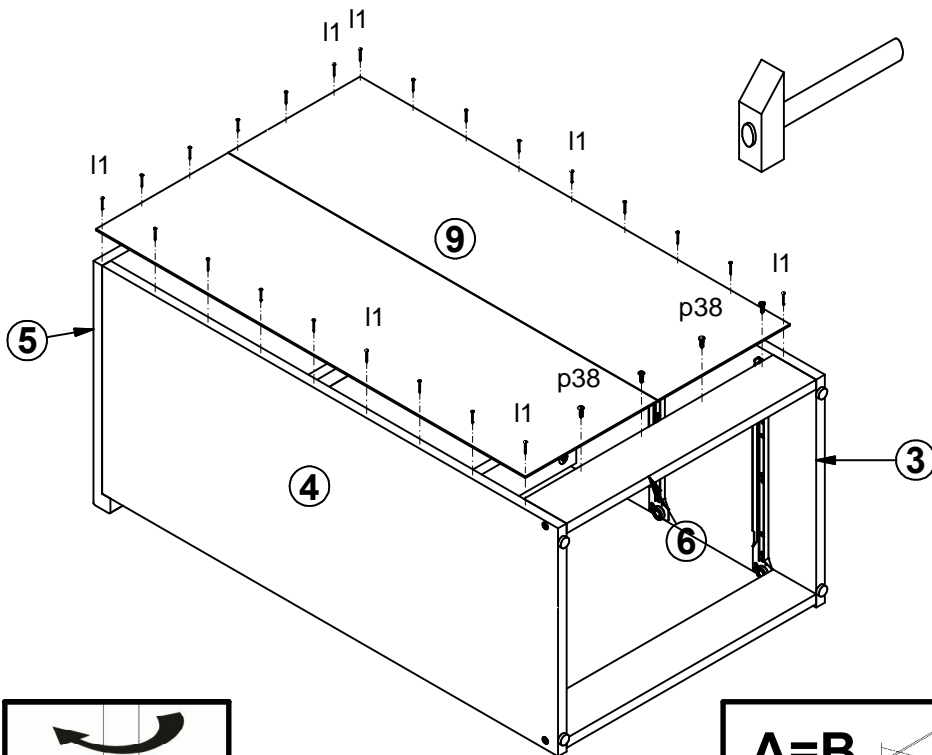
# 2



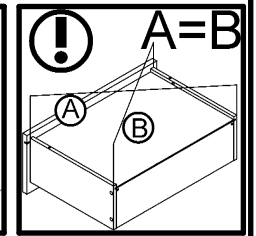
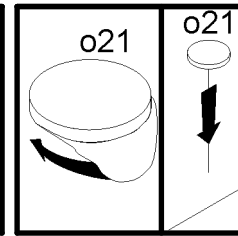
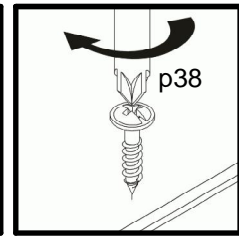
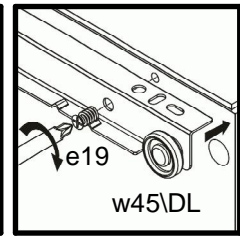
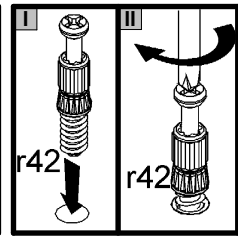
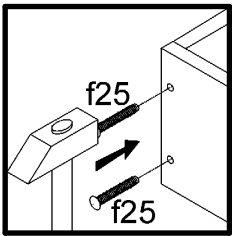
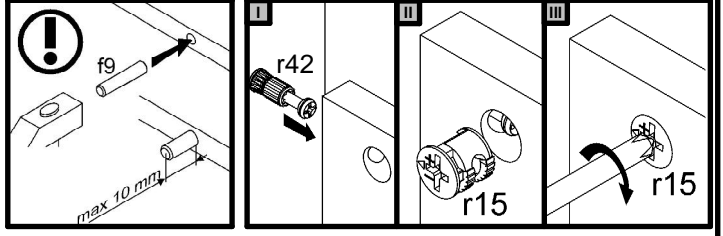
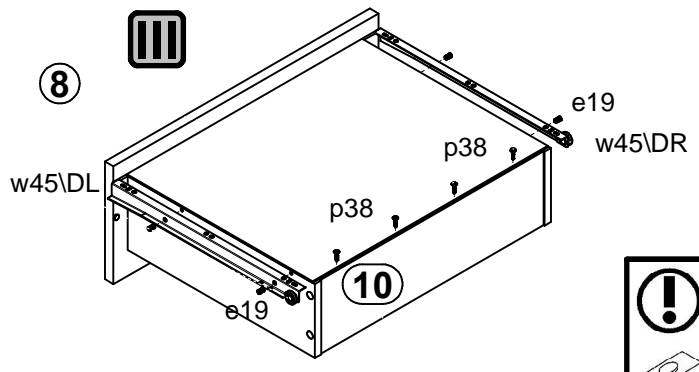
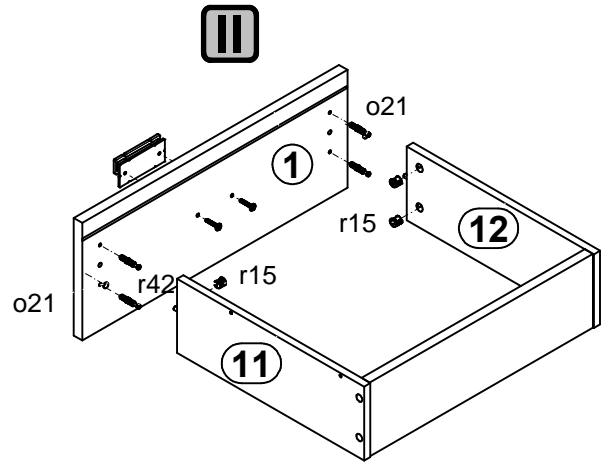
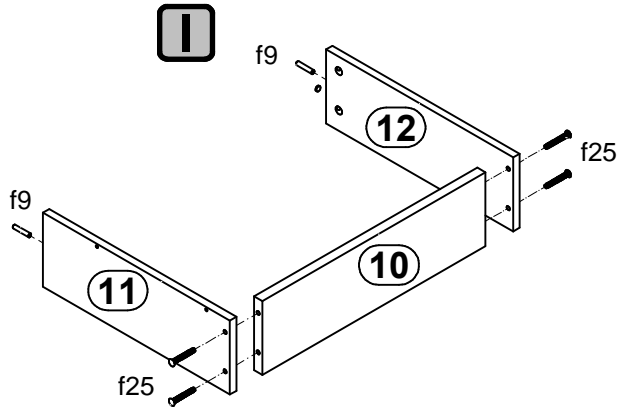
# 3



# 4



# 5



# 6

