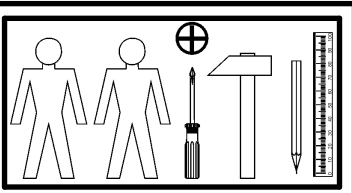
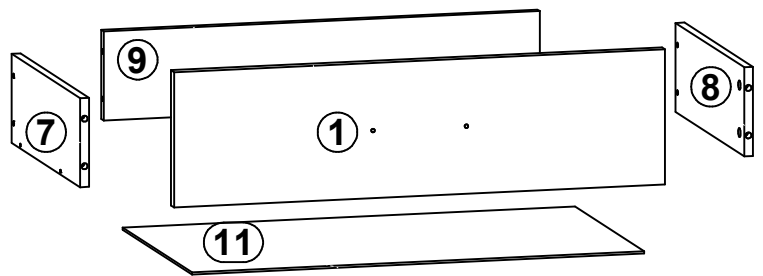
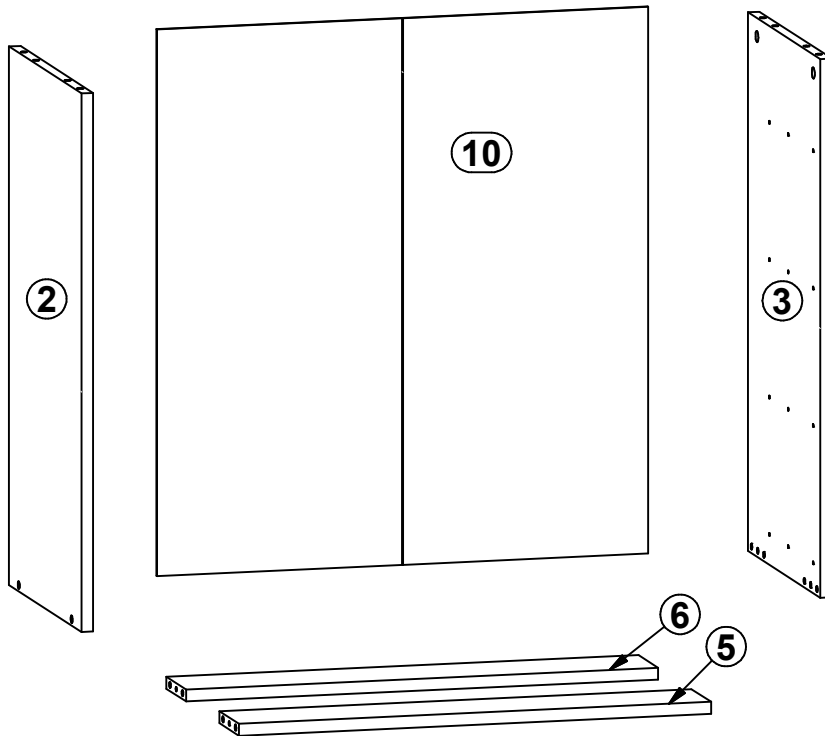
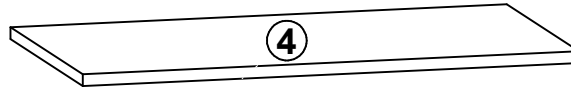


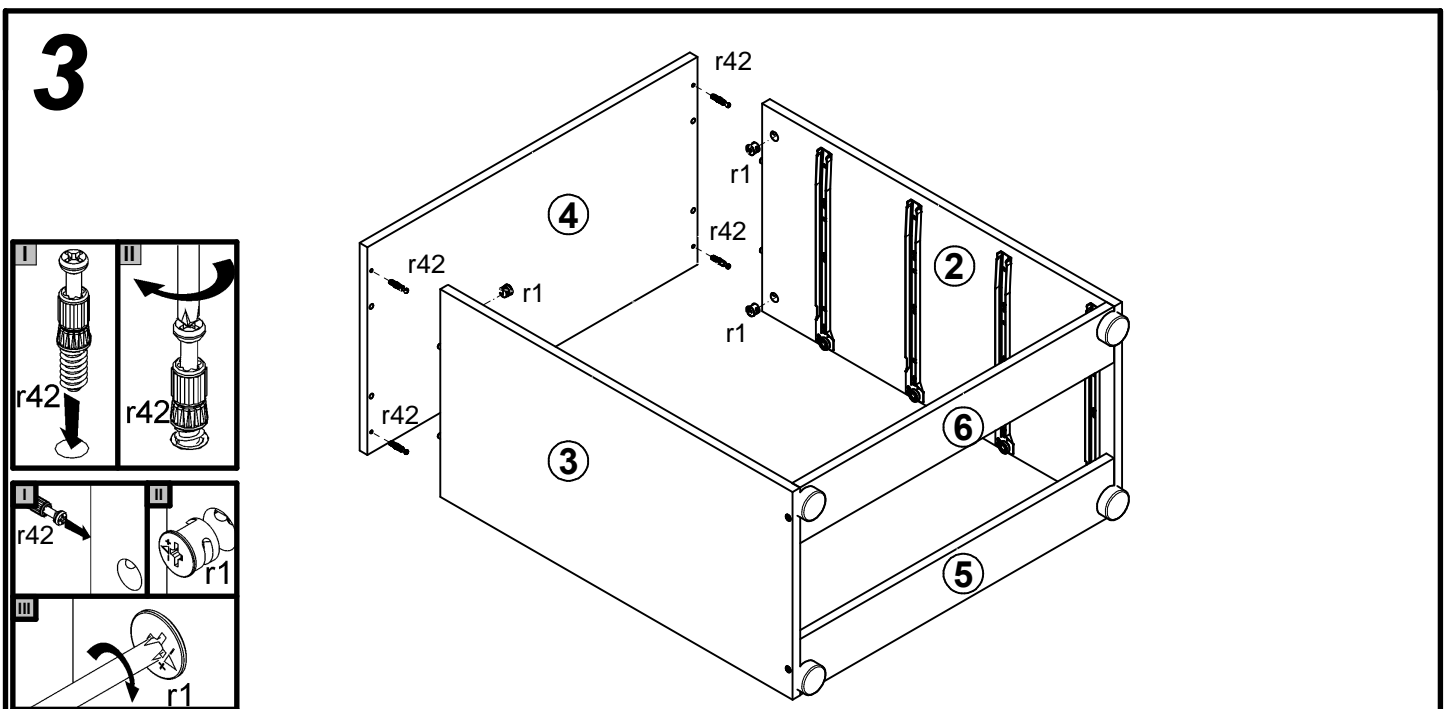
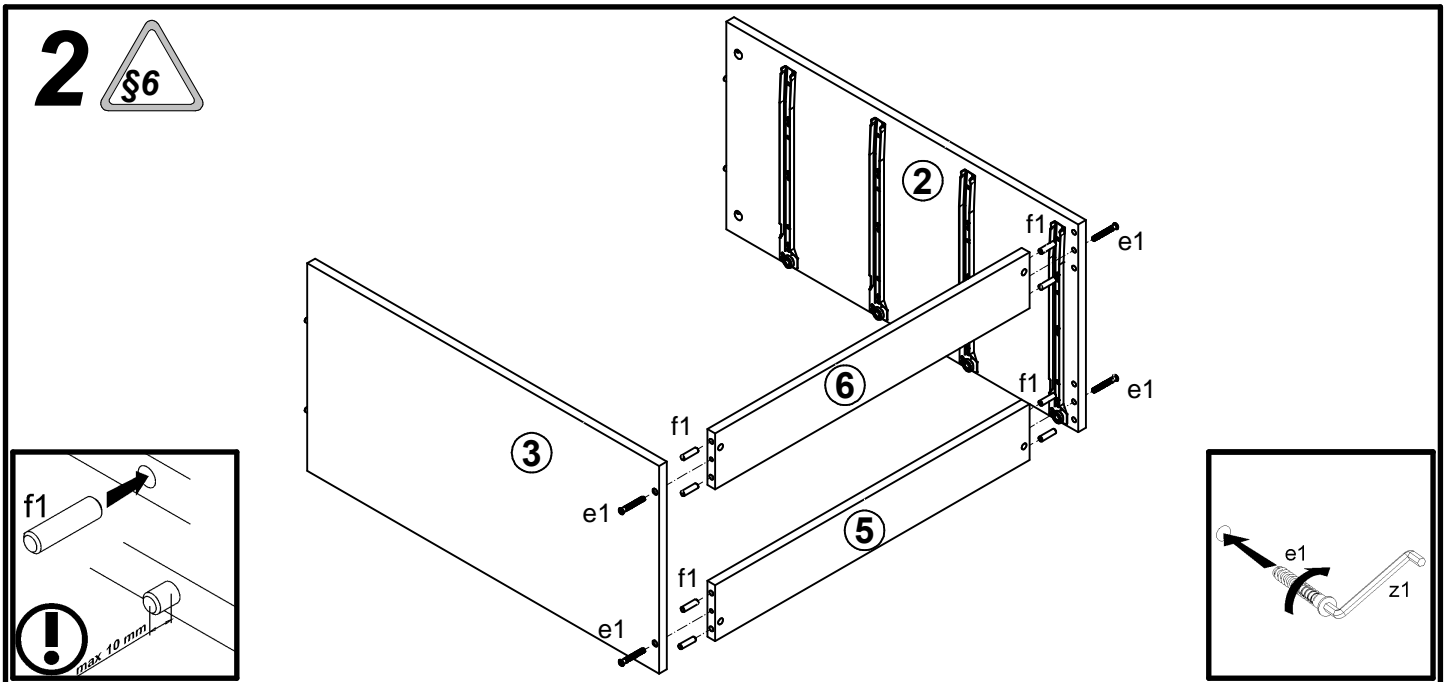
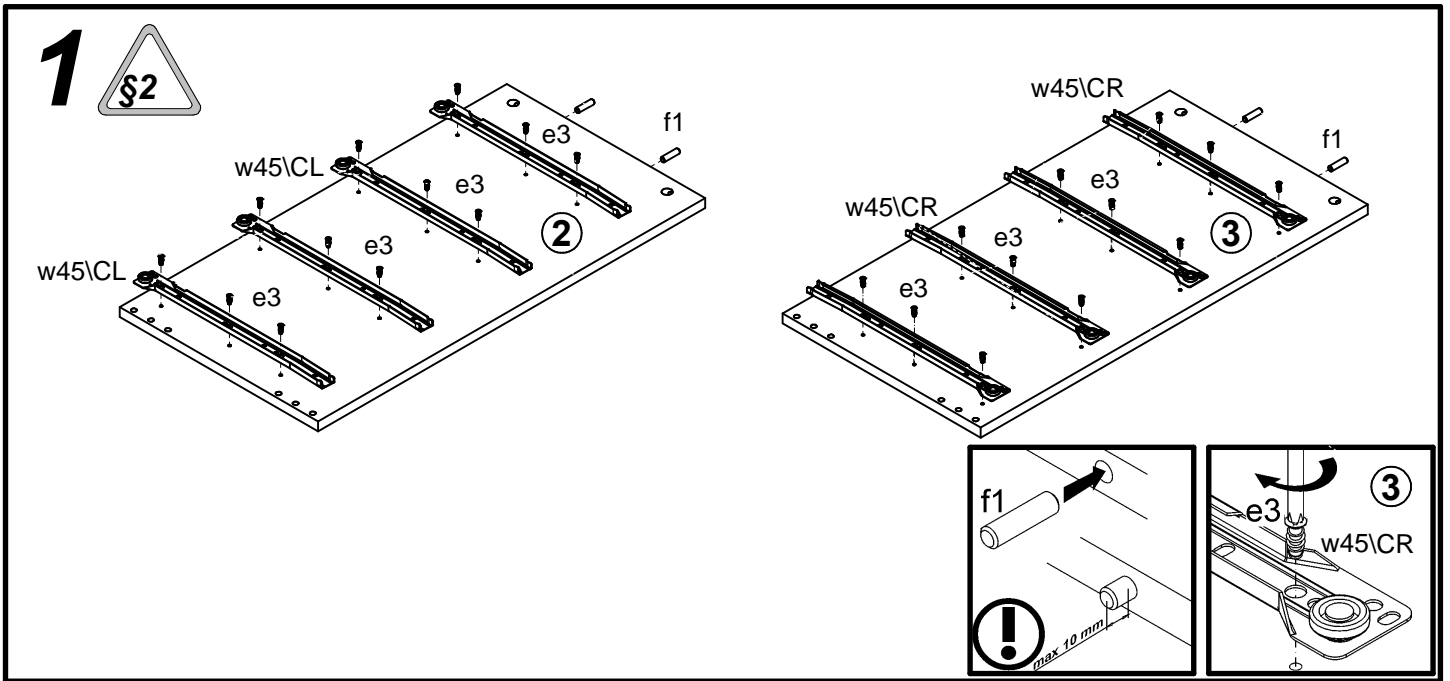
# LIBERA

# L14-KOM4S

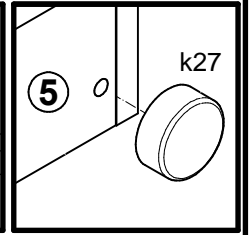
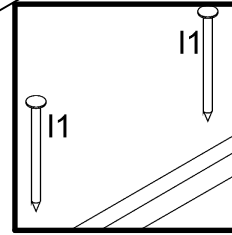
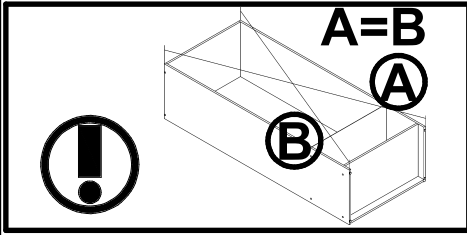
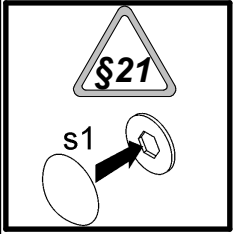
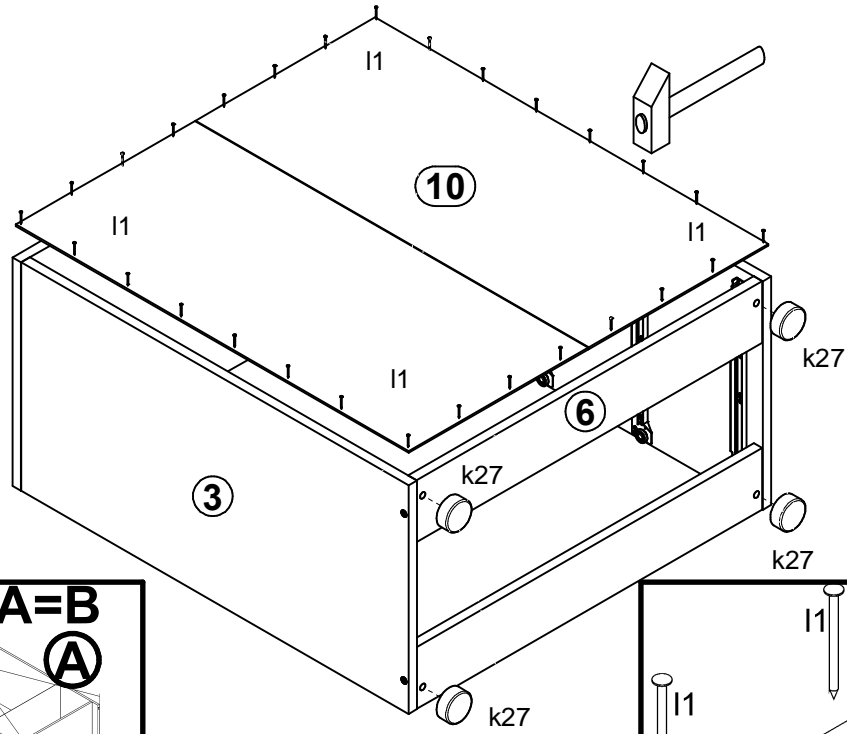
A	B	C	D	
1	L14-002	673	182	2/2
2	L14-103	725	371	1/2
3	L14-104	725	371	1/2
4	L14-202	680	371	1/2
5	L14-401	647	100	1/2
6	L14-402	647	100	1/2
7	L14-504	350	120	1/2
8	L14-505	350	120	1/2
9	L14-506	598	120	1/2
10	L14-903	736	673	1/2
11	L14-907	620	354	1/2



4x 128 mm c197	4x φ7x50 mm e1	16x φ5x9 mm e19	24x φ6x13 mm e3	12x φ8x30 mm f1	16x φ6.5x40 mm f25	4x k27	30x l1	16x φ3.5x16 mm p38
8x φ4x25 mm p87	4x φ1.5x12mm #16 r1	16x φ12x10.5mm #12 r15	20x r42	4x 350 mm w45\CL	4x 350 mm w45\CR	4x 350 mm w45\DL	4x 350 mm w45\DR	1x z1
1x n26\1	1x φ3.5x16 mm p38	4x s1	2x ø16 s2					

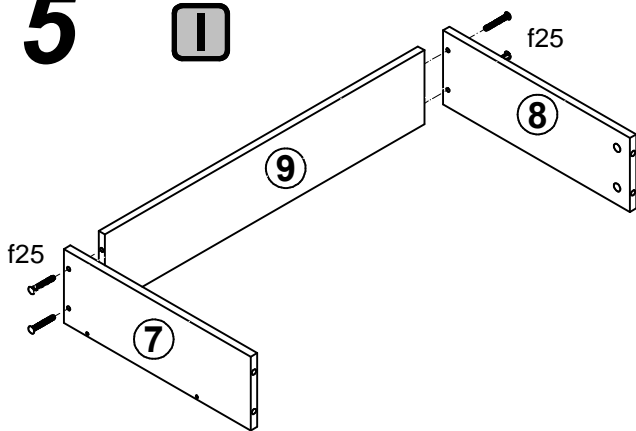


# 4

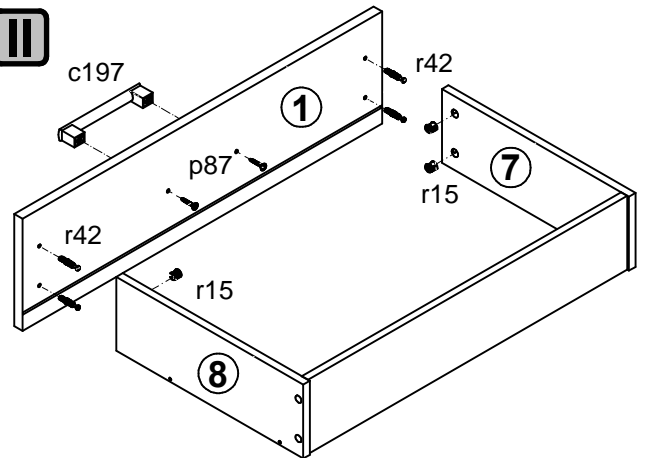


# 5

I



II



III

