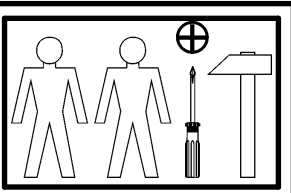
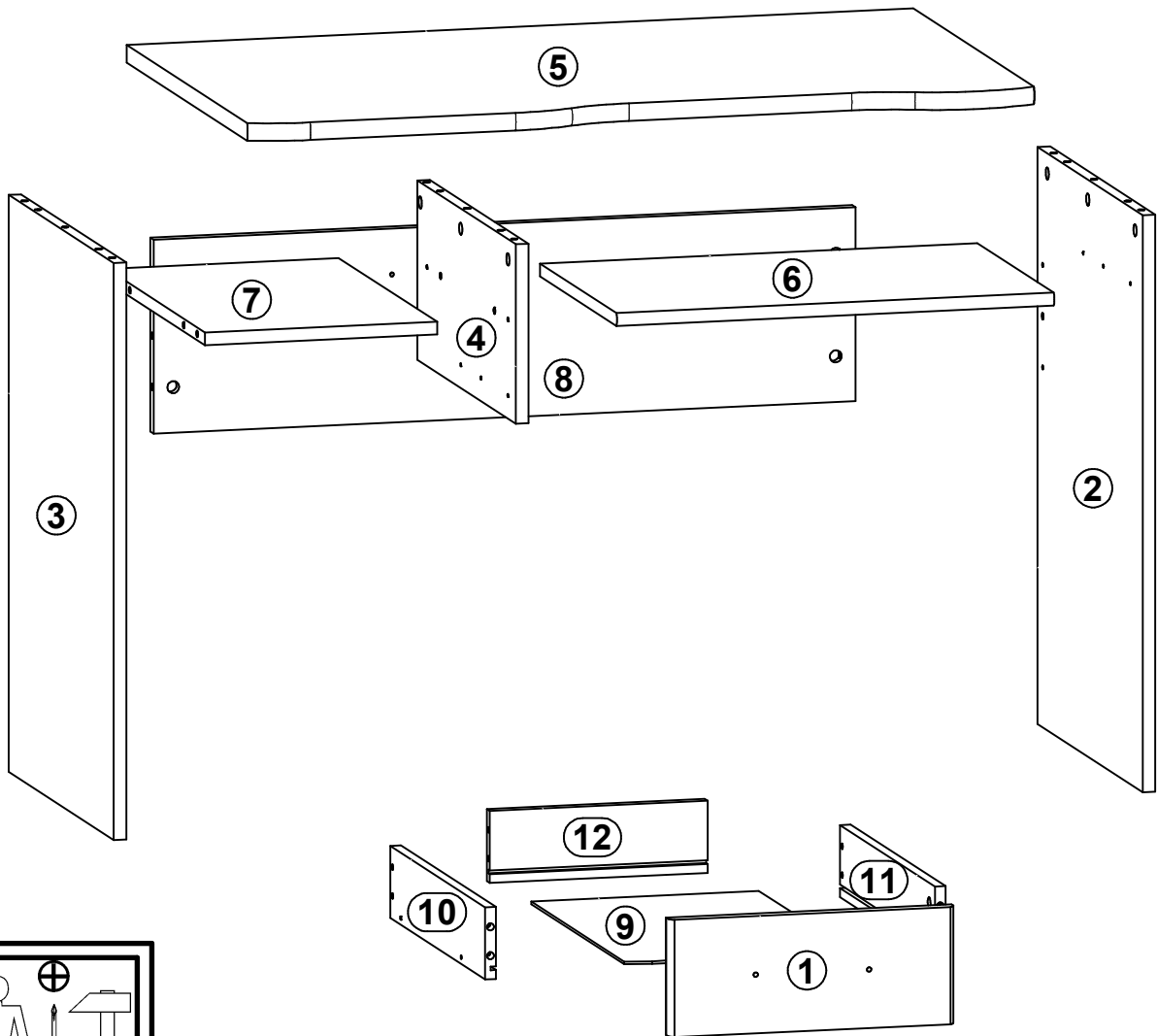
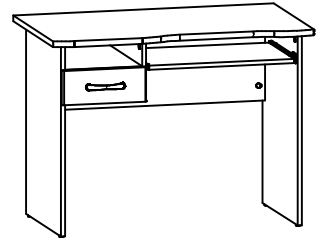
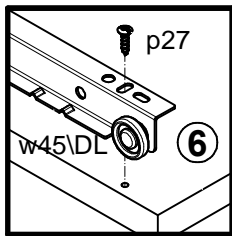
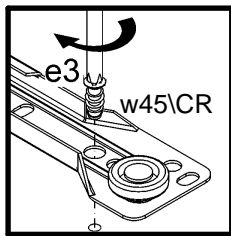
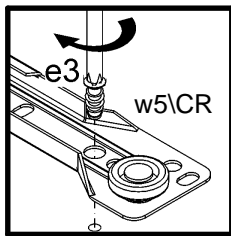
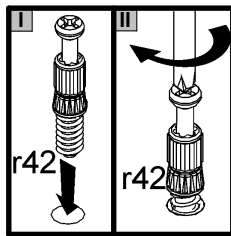
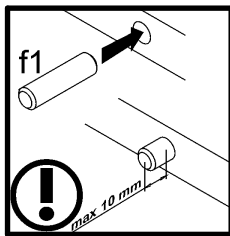
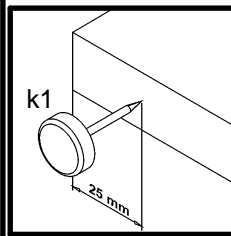
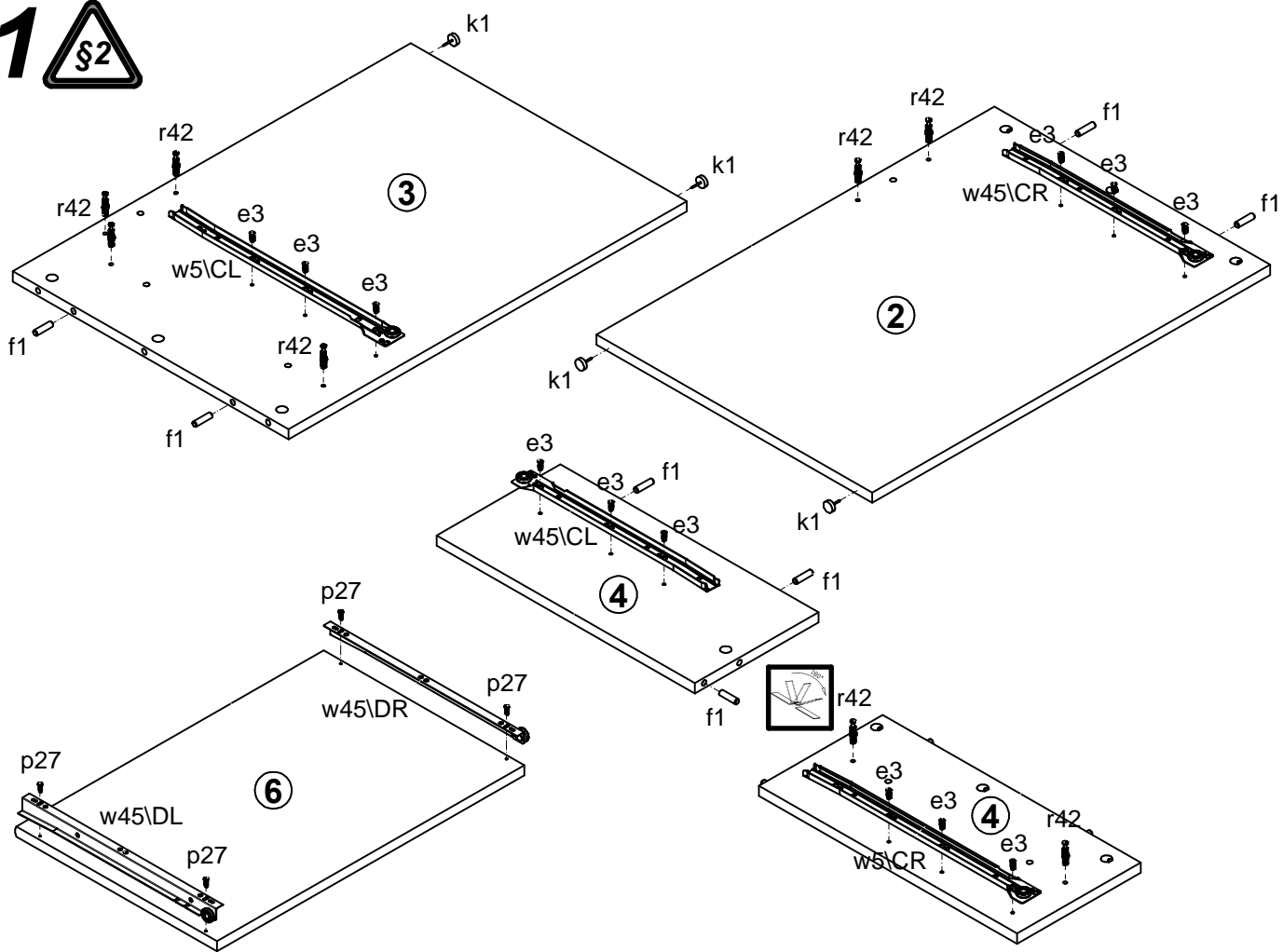


A	B	C	D	
1	S93-020	323	130	3/3
2	S93-121	720	499	1/3
3	S93-125	720	499	1/3
4	S93-127	224	467	1/3
5	S93-209	1000	590	2/3
6	S93-323	556	365	2/3
7	S93-326	295	467	2/3
8	S93-418	892	242	2/3
9	S93-912	257	398	1/3
10	ZS1-553	400	80	1/3
11	ZS1-554	400	80	1/3
12	ZS1-6543	246	80	1/3

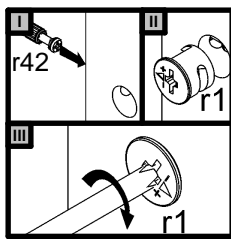
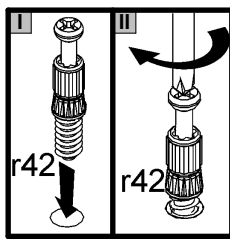
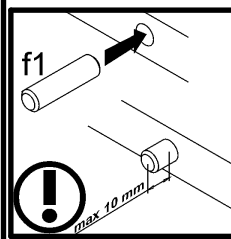
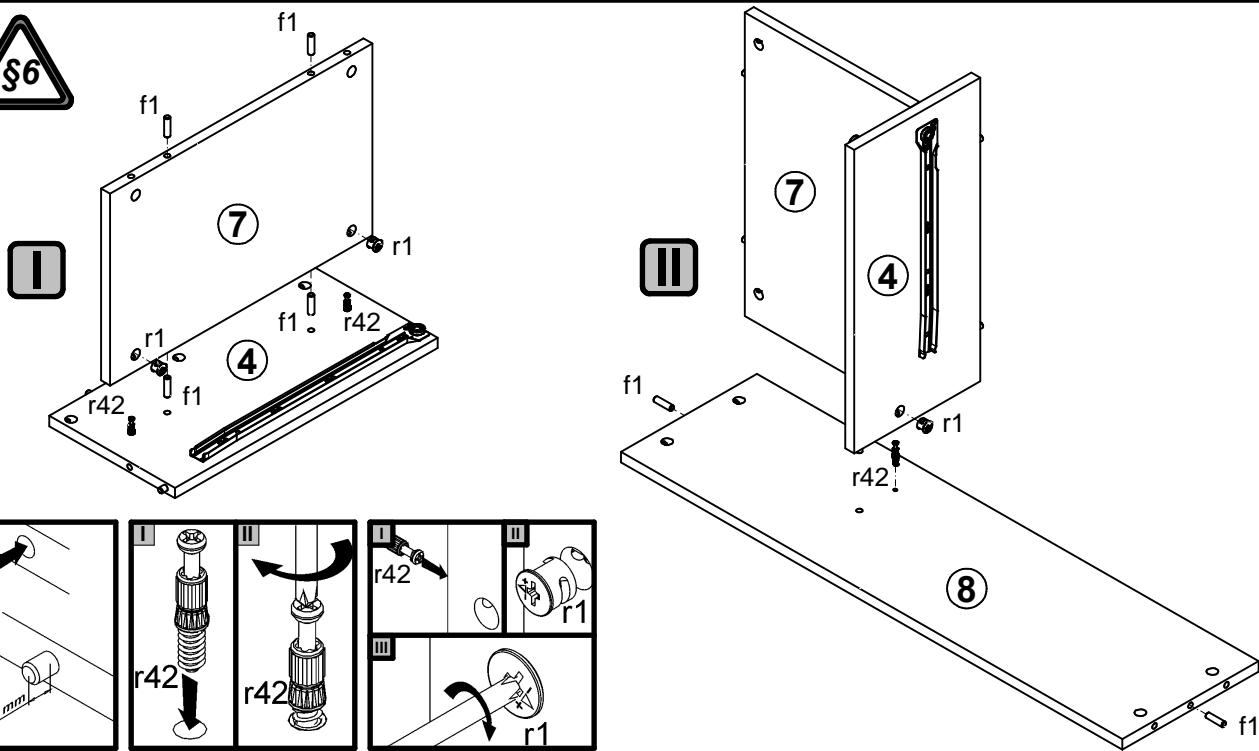


1x c284	4x e19 φ5x9 mm	12x e3 φ6x13 mm	13x f1 φ8x30 mm	4x f25 φ6.5x40 mm	4x k1	4x p27 φ3.5x13 mm	2x p87 φ4x25 mm	18x r1 φ1.5x12 mm #16
4x r15 φ12x10.5 mm #12	22x r42	14x s2 ø16	1x w45\CL 350 mm	1x w45\CR 350 mm	1x w45\DL 350 mm	1x w45\DR 350 mm	1x w5\CL 400 mm	1x w5\CR 400 mm
1x w5\DL 400 mm	1x w5\DR 400 mm							

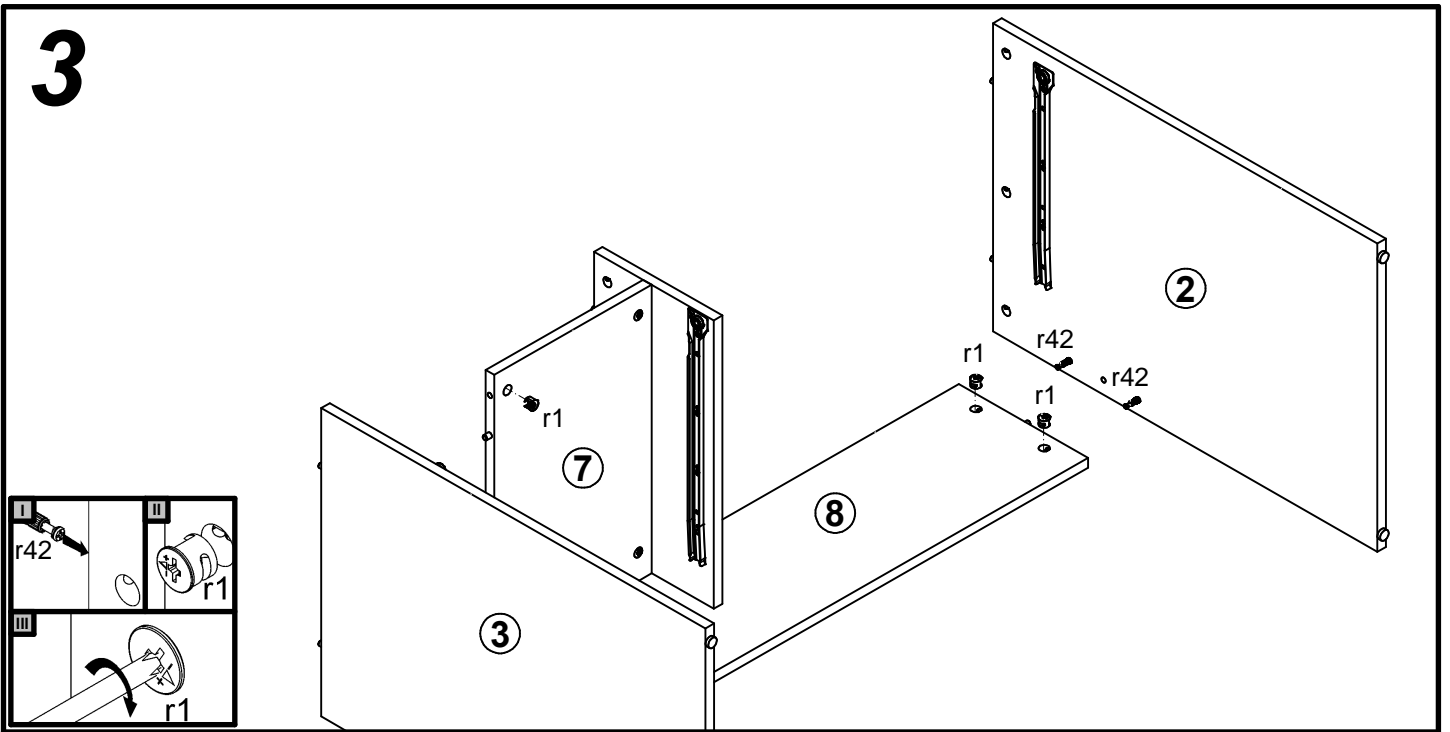
1



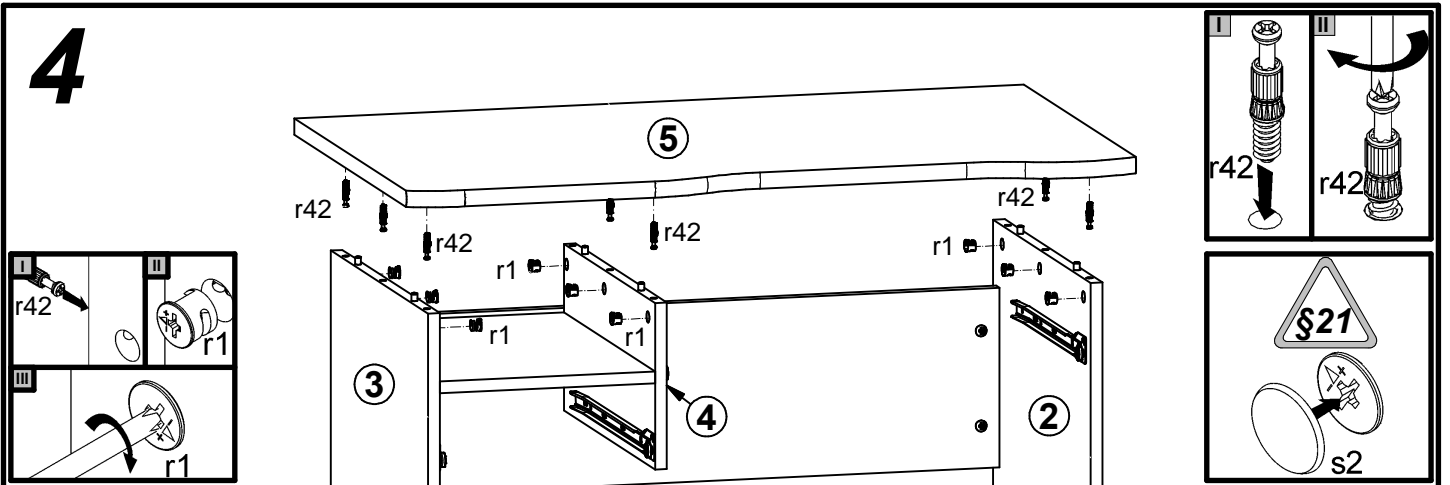
2



3



4



5

