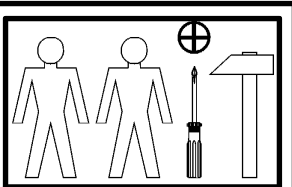
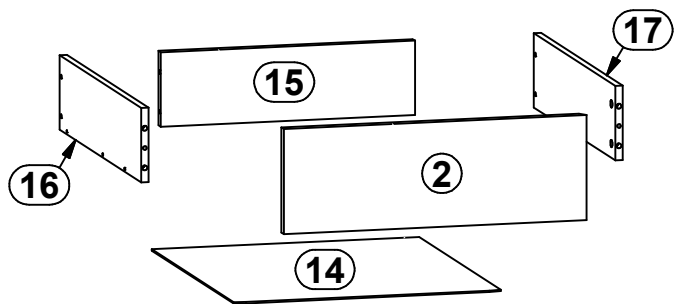
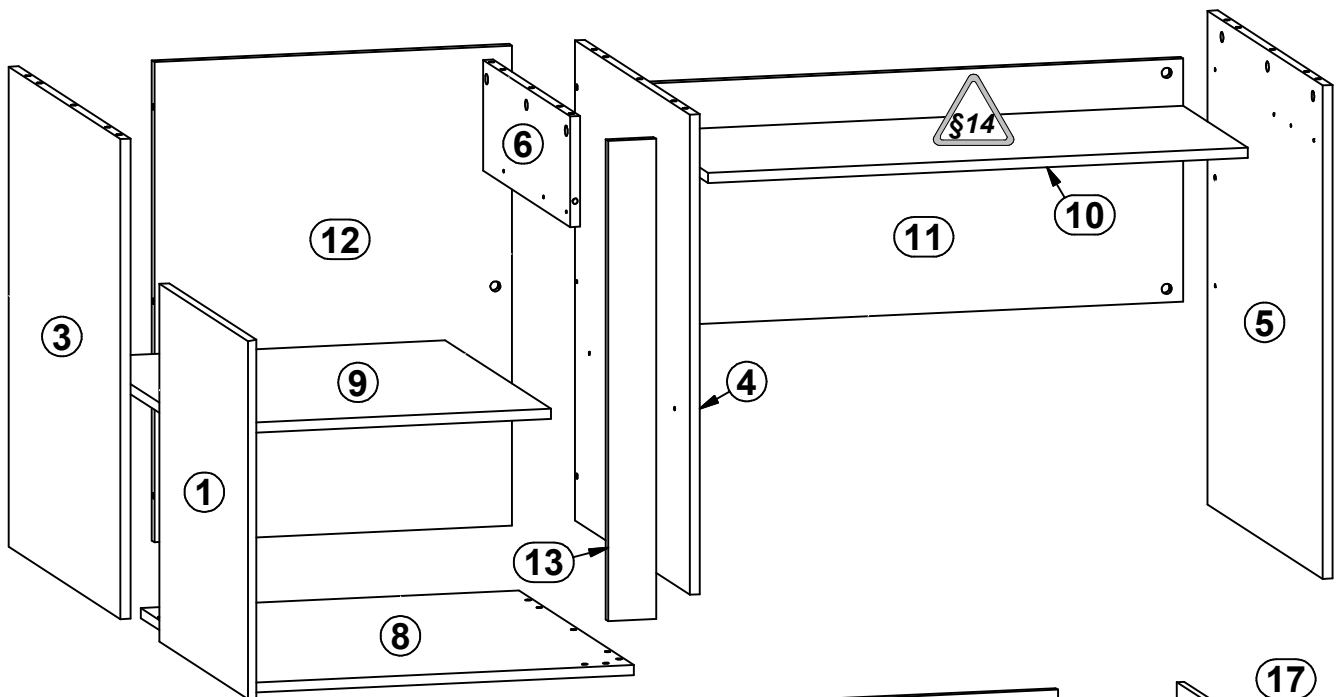
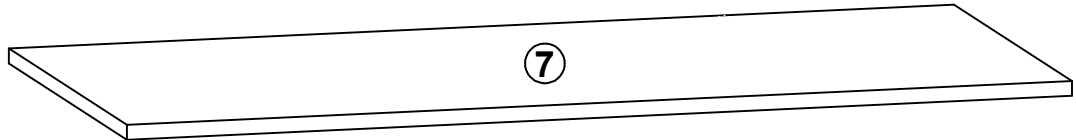
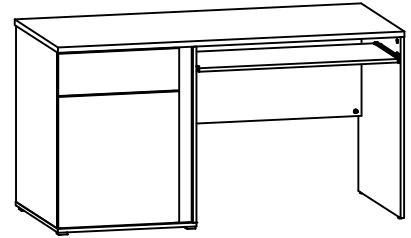


# GRAPHIC

## S202-BIU1D1SL

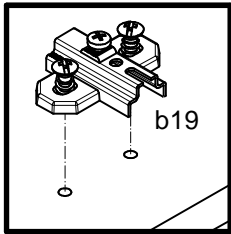
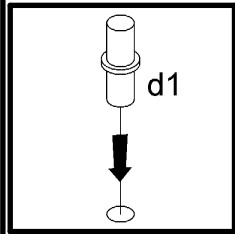
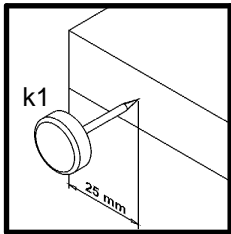
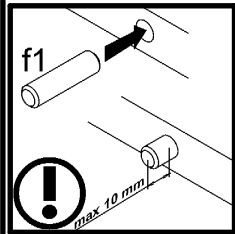
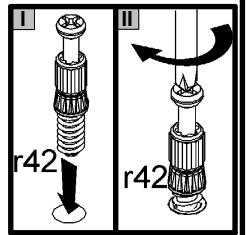
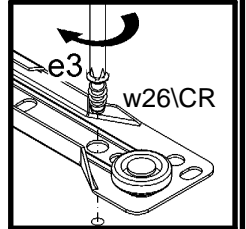
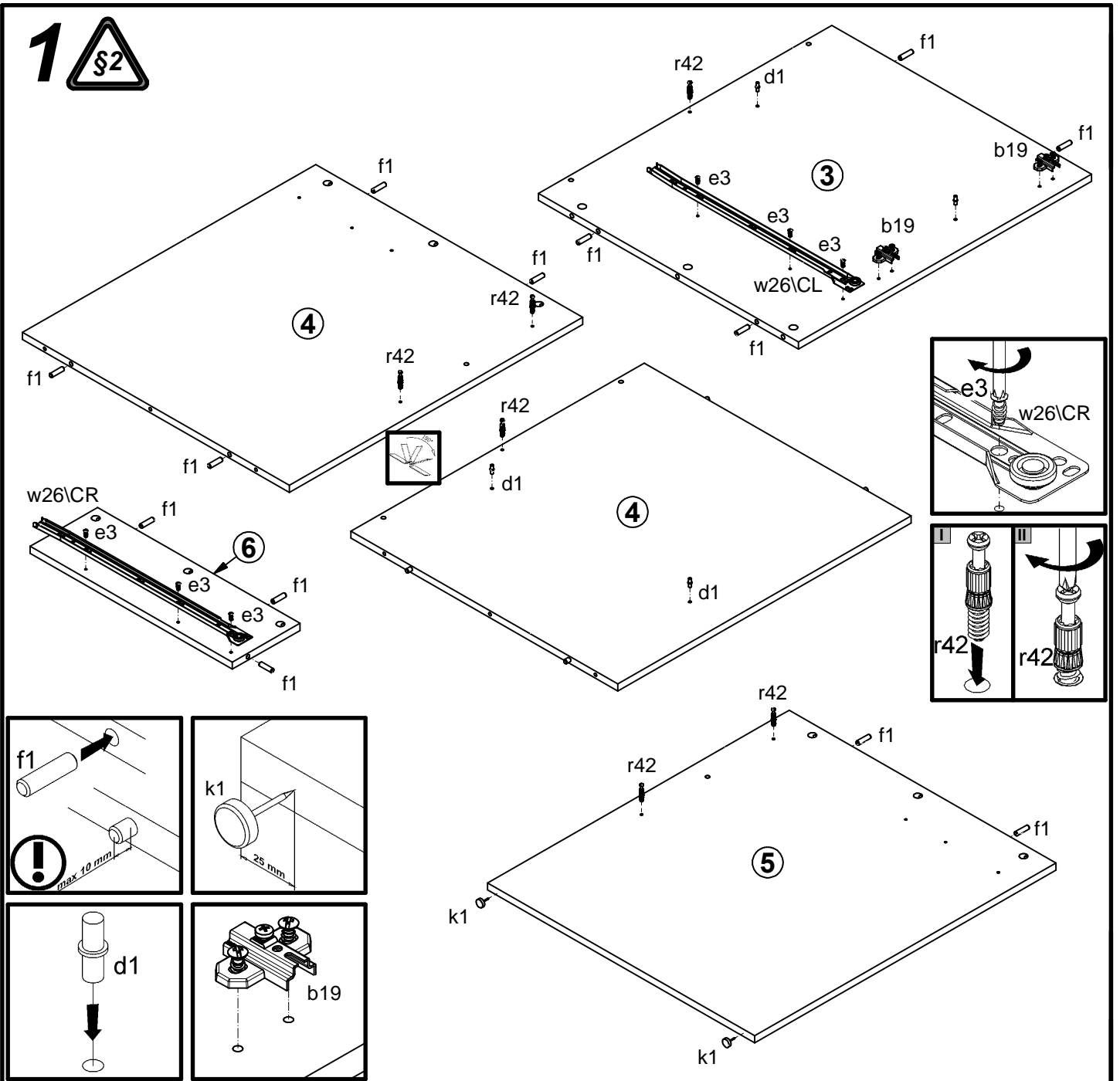
A	B	C	D	A	B	C	D		
1	S202-006	530	498	3/3	10	S202-320	814	365	1/1
2	S202-007	498	170	3/3	11	S202-407	839	360	2/3
3	S202-112	711	630	1/3	12	S202-408	711	539	2/3
4	S202-113	711	647	1/3	13	S202-409	711	72	2/3
5	S202-114	731	647	1/3	14	S202-905	440	505	2/3
6	S202-115	164	490	1/3	15	ZS3-5561	418	120	2/3
7	S202-215	1425	664	1/3	16	ZS4-505	500	120	2/3
8	S202-216	570	647	1/3	17	ZS4-506	500	120	2/3
9	S202-310	538	595	2/3					



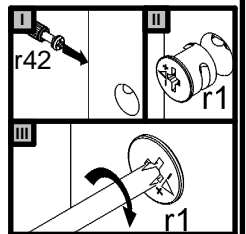
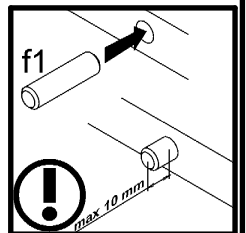
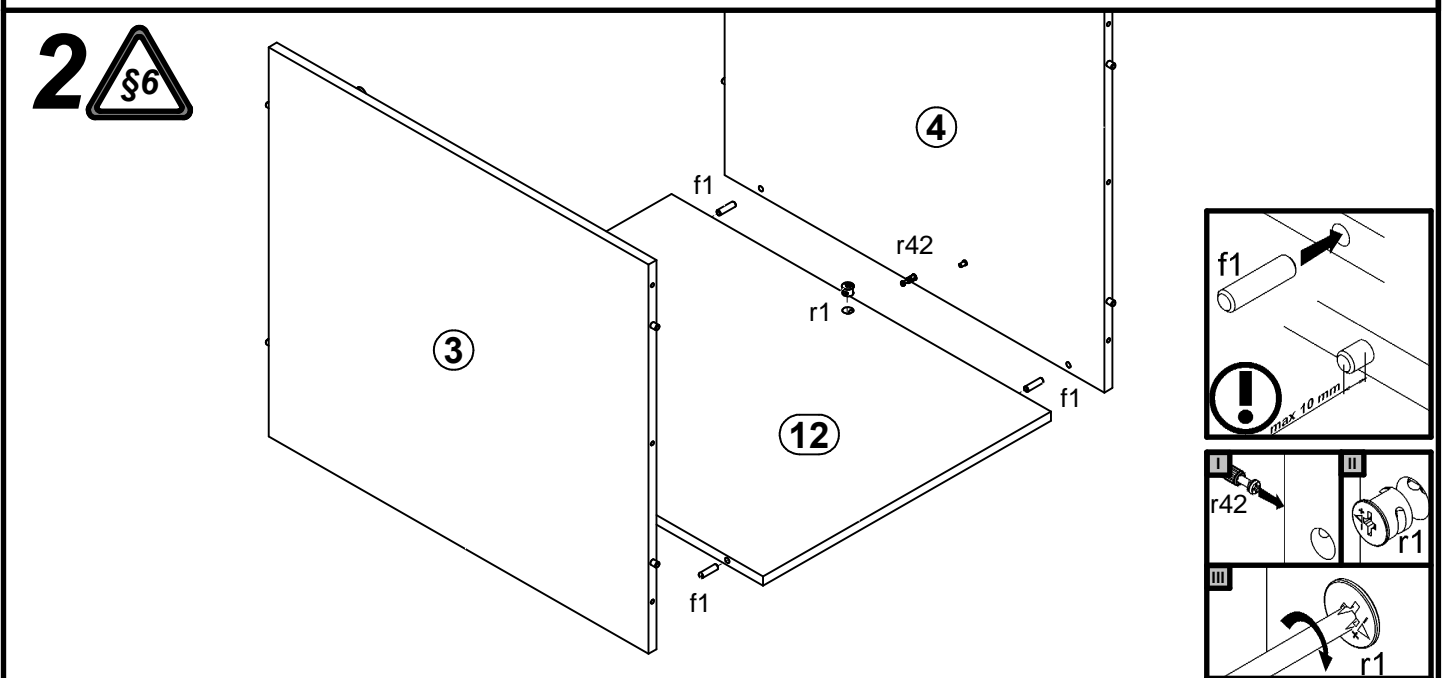
2x  a44	2x  b19	4x  d1 Ø5x17 mm	6x  e1 Ø7x50 mm	6x  e3 Ø6x13 mm
6x  e19 Ø5x9 mm	23x  f1 Ø8x30 mm	4x  f25 Ø6.5x40 mm	2x  f9 Ø6x30 mm	2x  k1
4x  k73	3x  p38 Ø3.5x16 mm	4x  p51 Ø3.5x15 mm	4x  p79 Ø3.5x20 mm	18x  r1 Ø15x12 mm #16
4x  r15 Ø12x10.5 mm #12	22x  r42	1x  w26\CL 500 mm	1x  w26\CR 500 mm	1x  w26\DL 500 mm
1x  w26\DR 500 mm	14x  s2 Ø16	1x  z1		

§14		
6x  e3 Ø6x13 mm	4x  p27 Ø3.5x13 mm	1x  w45\CL 350 mm
1x  w45\CR 350 mm	1x  w45\DL 350 mm	1x  w45\DR 350 mm

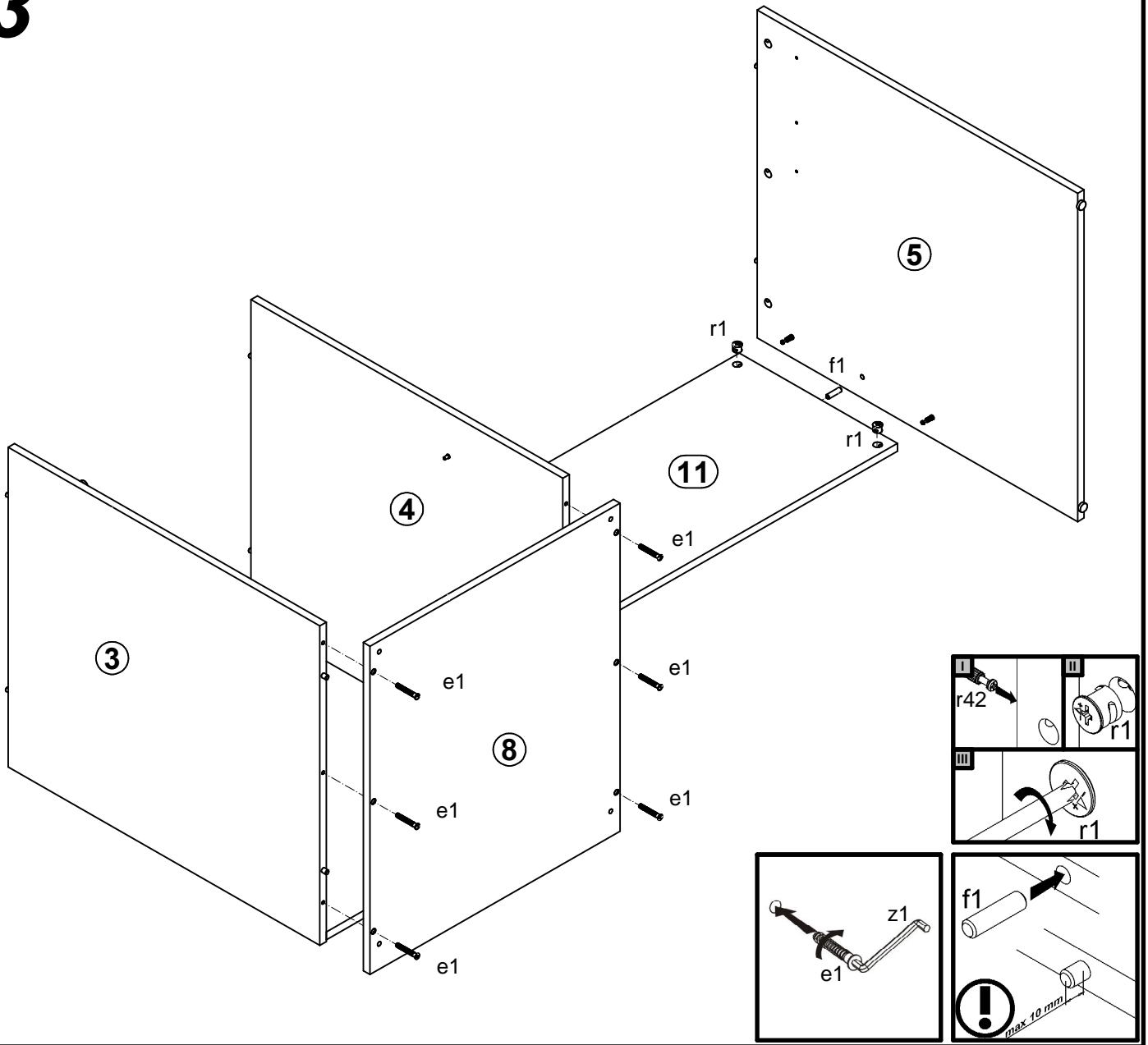
# 1



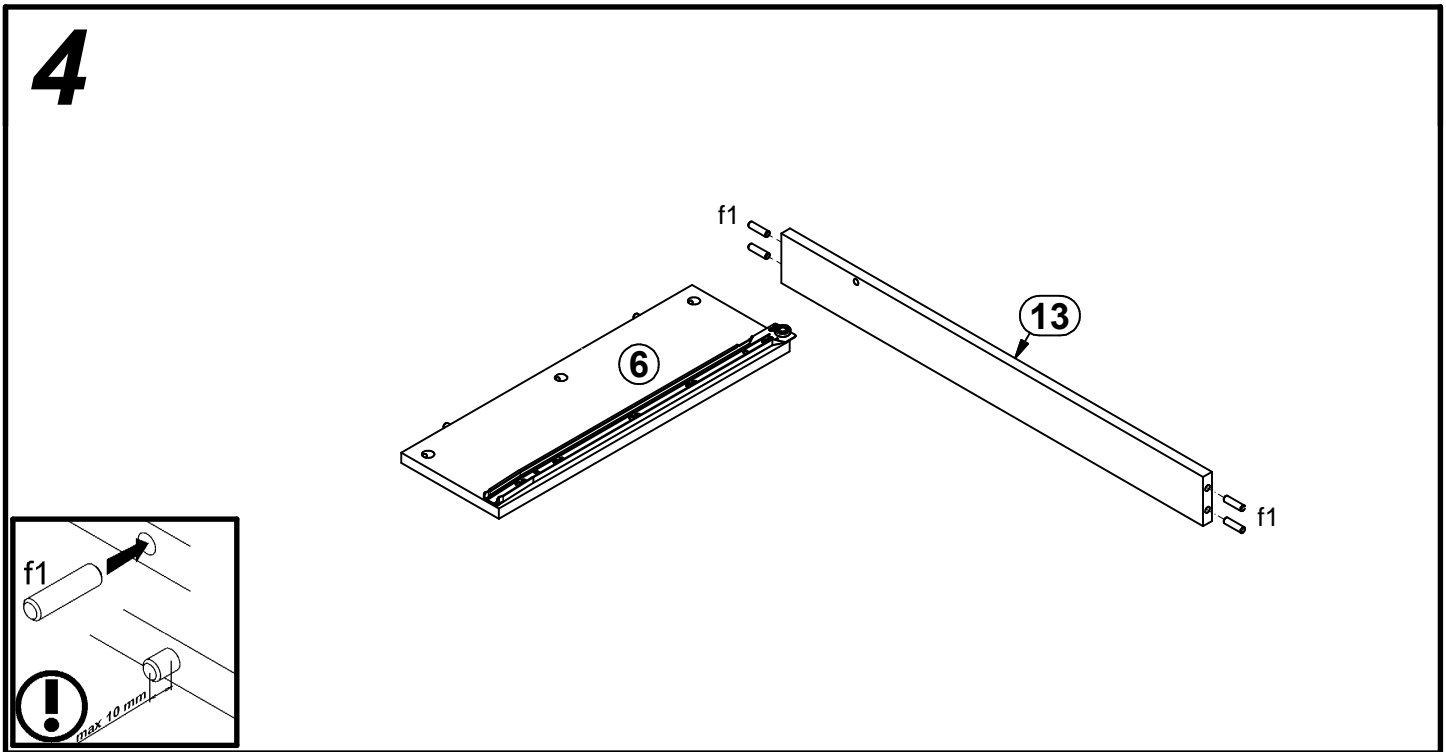
# 2



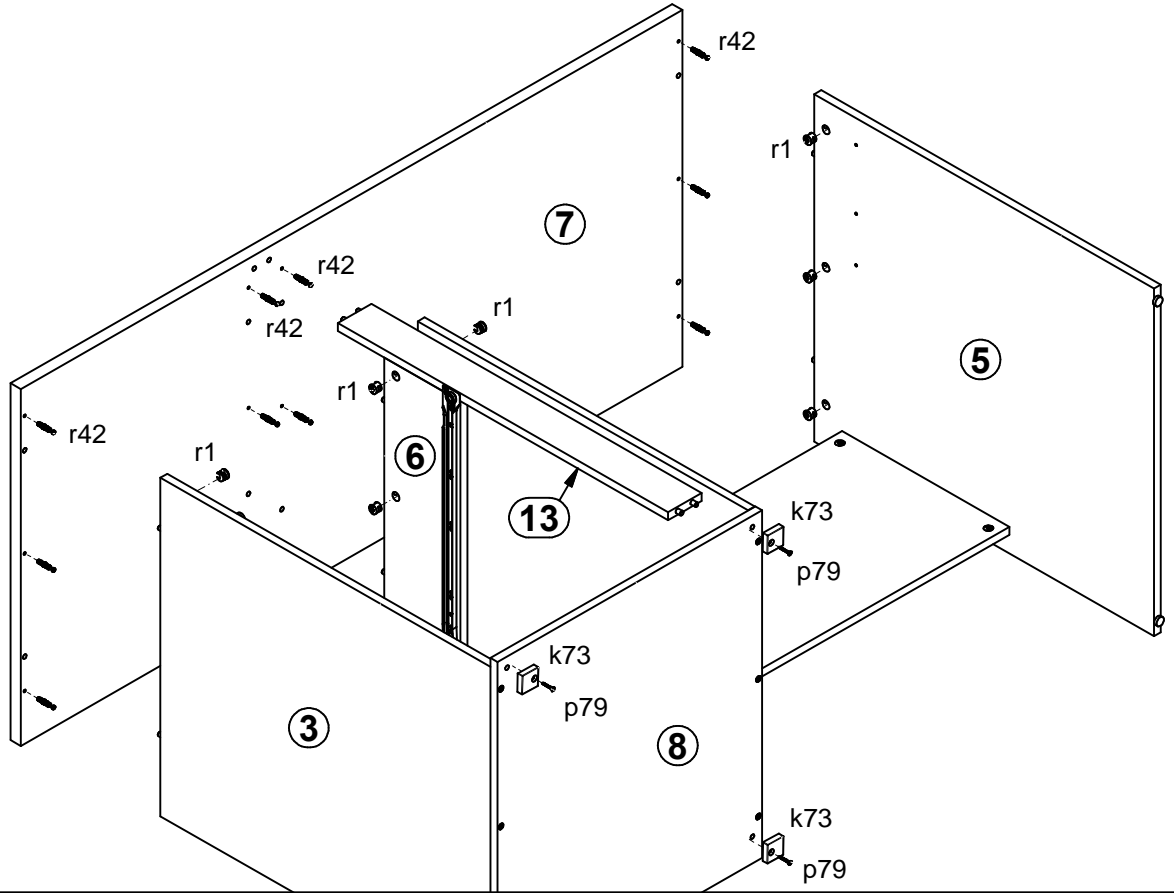
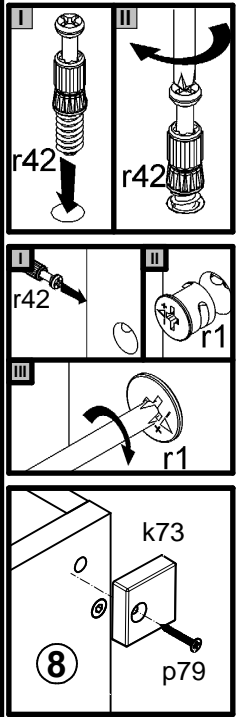
# 3



# 4



# 5



# 6

