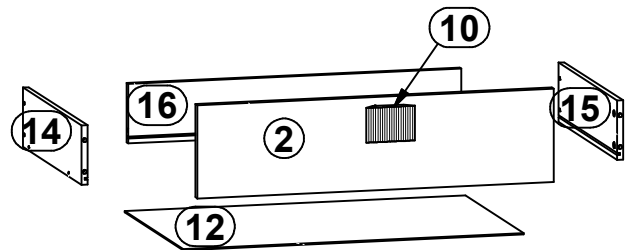
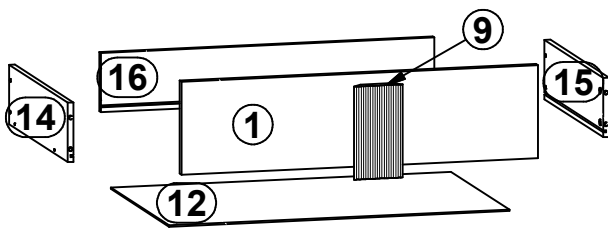
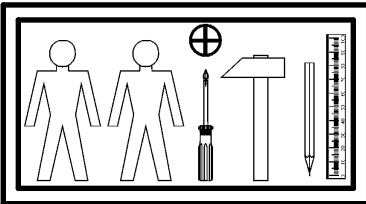
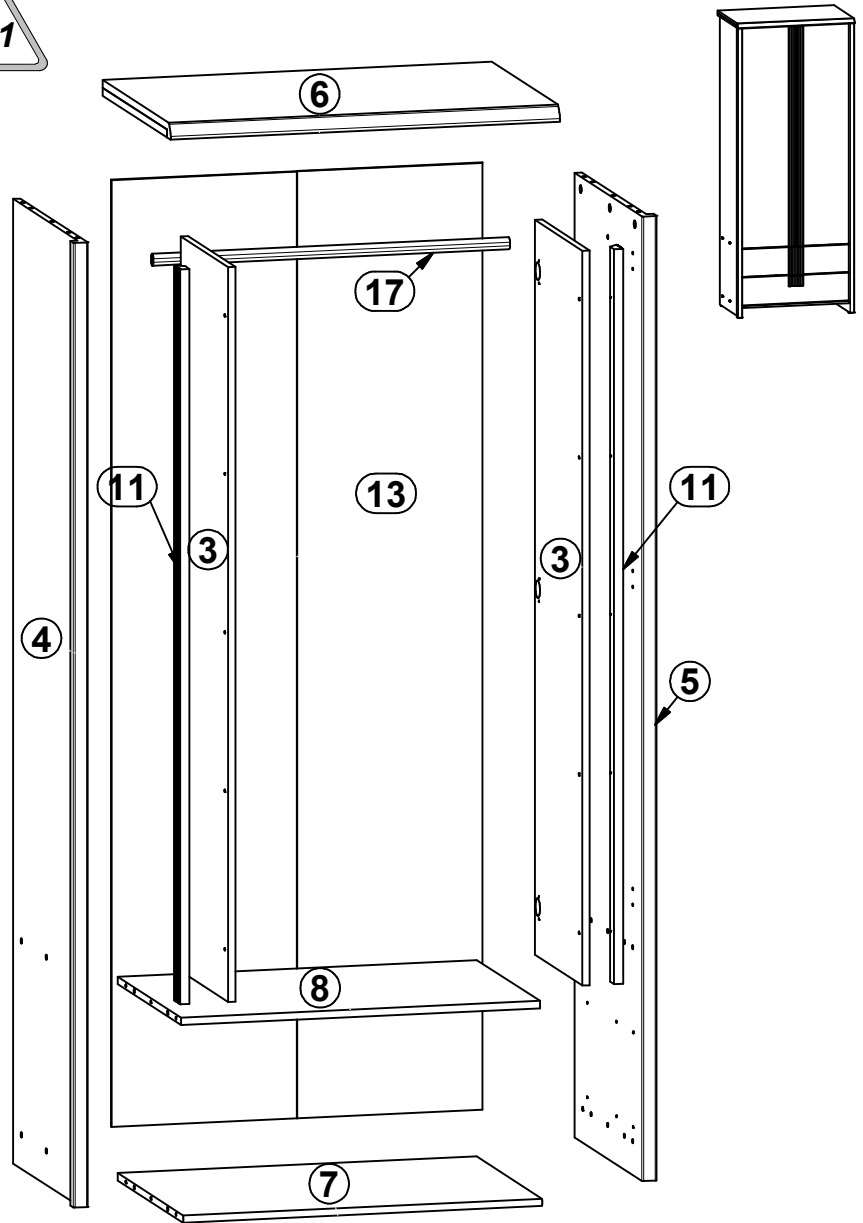


# CAPS

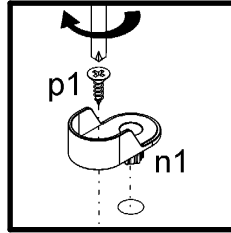
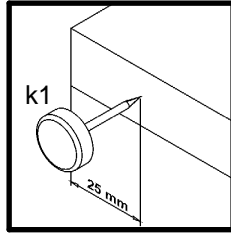
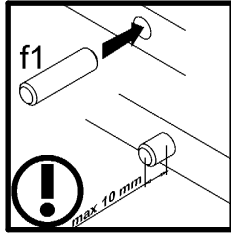
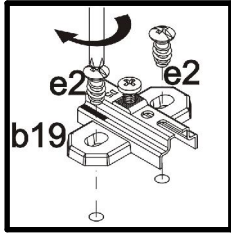
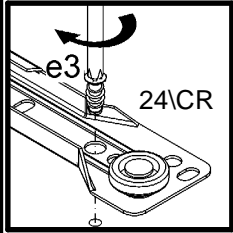
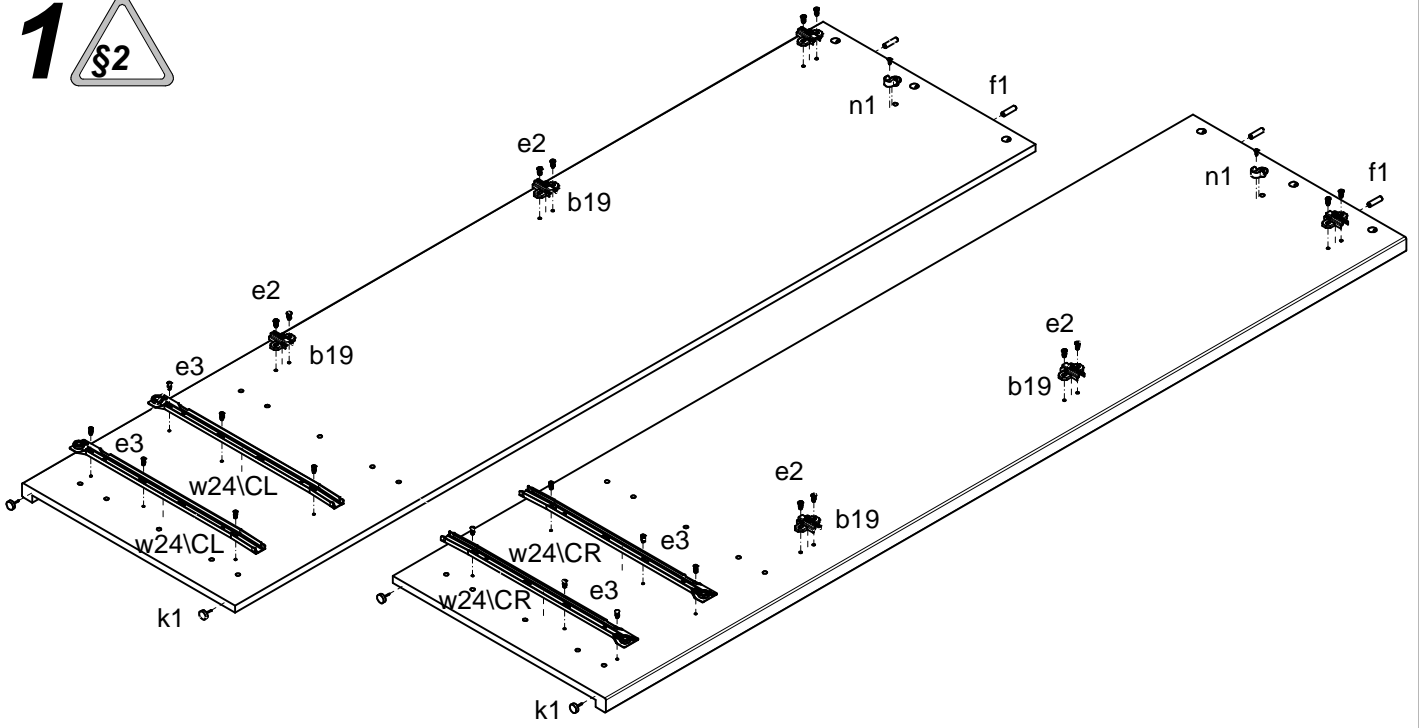
# S153-SZF2D2S

A	B	C	D	
1	S153-001	733	188	3/3
2	S153-002	733	188	3/3
3	S153-005	1484	365	3/3
4	S153-107	1948	519	1/3
5	S153-108	1948	519	1/3
6	S153-203	800	523	1/3
7	S153-306	738	503	1/3
8	S153-307	738	484	1/3
9	S153-571	188	100	2/3
10	S153-572	70	100	2/3
11	S153-573	1484	49	2/3
12	S153-907	700	448	1/3
13	S153-914	1912	763	1/3
14	ZS2-515	450	120	1/3
15	ZS2-516	450	120	1/3
16	ZS2-5583	689	120	1/3
17	dr-733	733	22	1/3

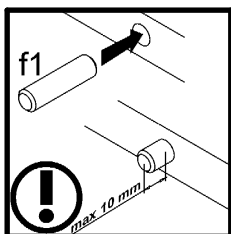
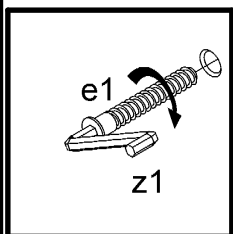
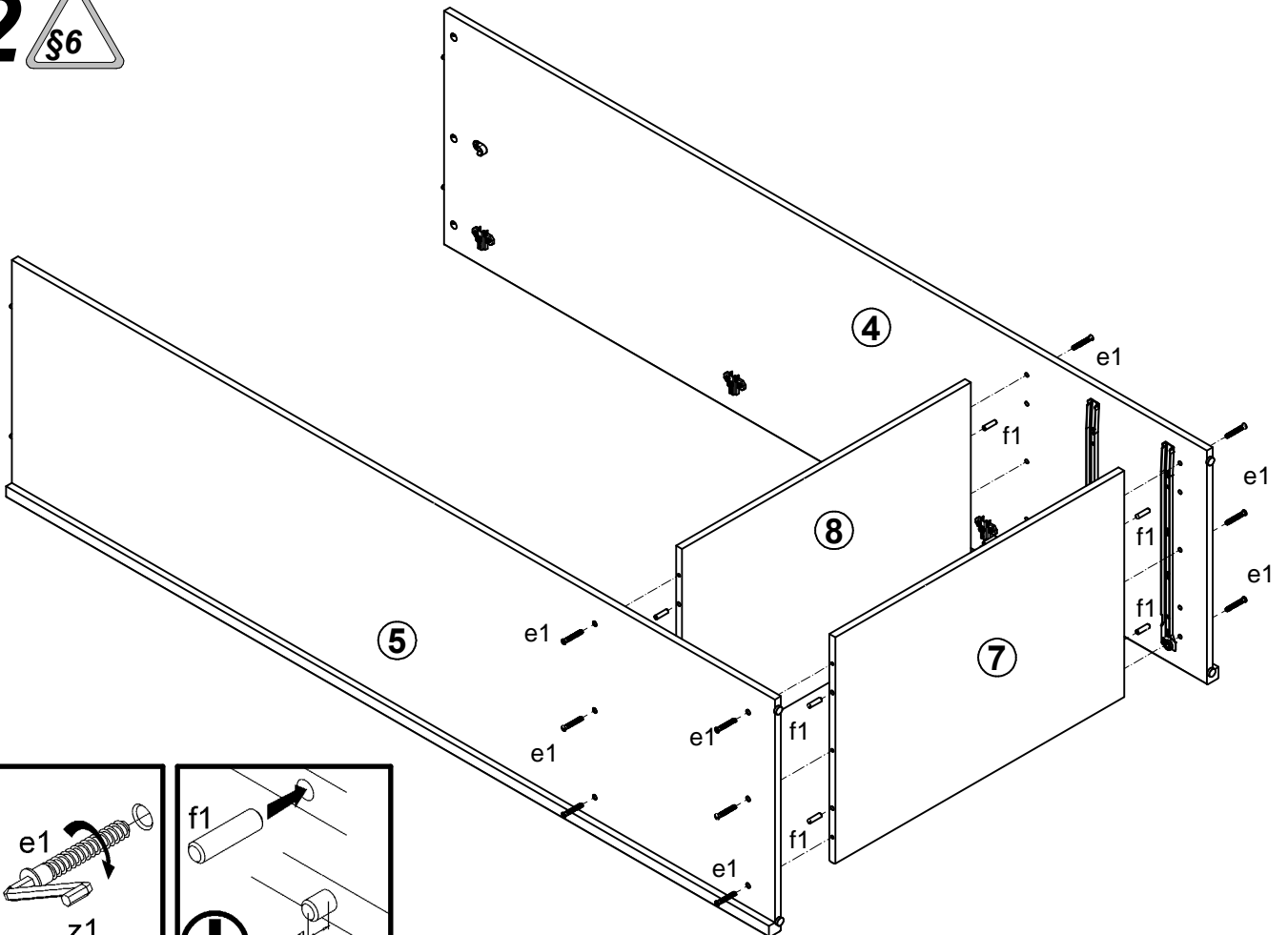


6x K16 a43	6x b19	12x φ7x50 mm e1	8x φ5x9 mm e19	12x φ6,3x13 mm e2	12x φ6x13 mm e3	12x φ8x30 mm f1	8x φ6,5x40 mm f25	4x k1
65x l1	2x n1	2x φ3,5x13 mm p1	4x φ3,5x16 mm p25	12x φ3,5x15 mm p51	14x φ4x22 mm p60	6x φ1,5x12mm #16 r1	8x φ12x10,5mm #12 r15	14x r42
2x 433 mm t37	2x 450 mm w24\CL	2x 450 mm w24\CR	2x 450 mm w24\DL	2x 450 mm w24\DR	1x z1	1x n26\1	1x φ3,5x16 mm p38	12x s1
6x ø16 s2								

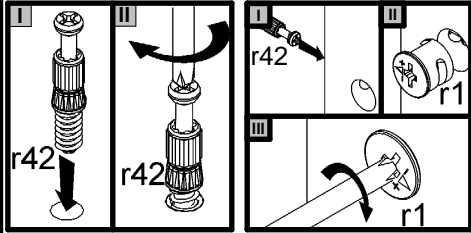
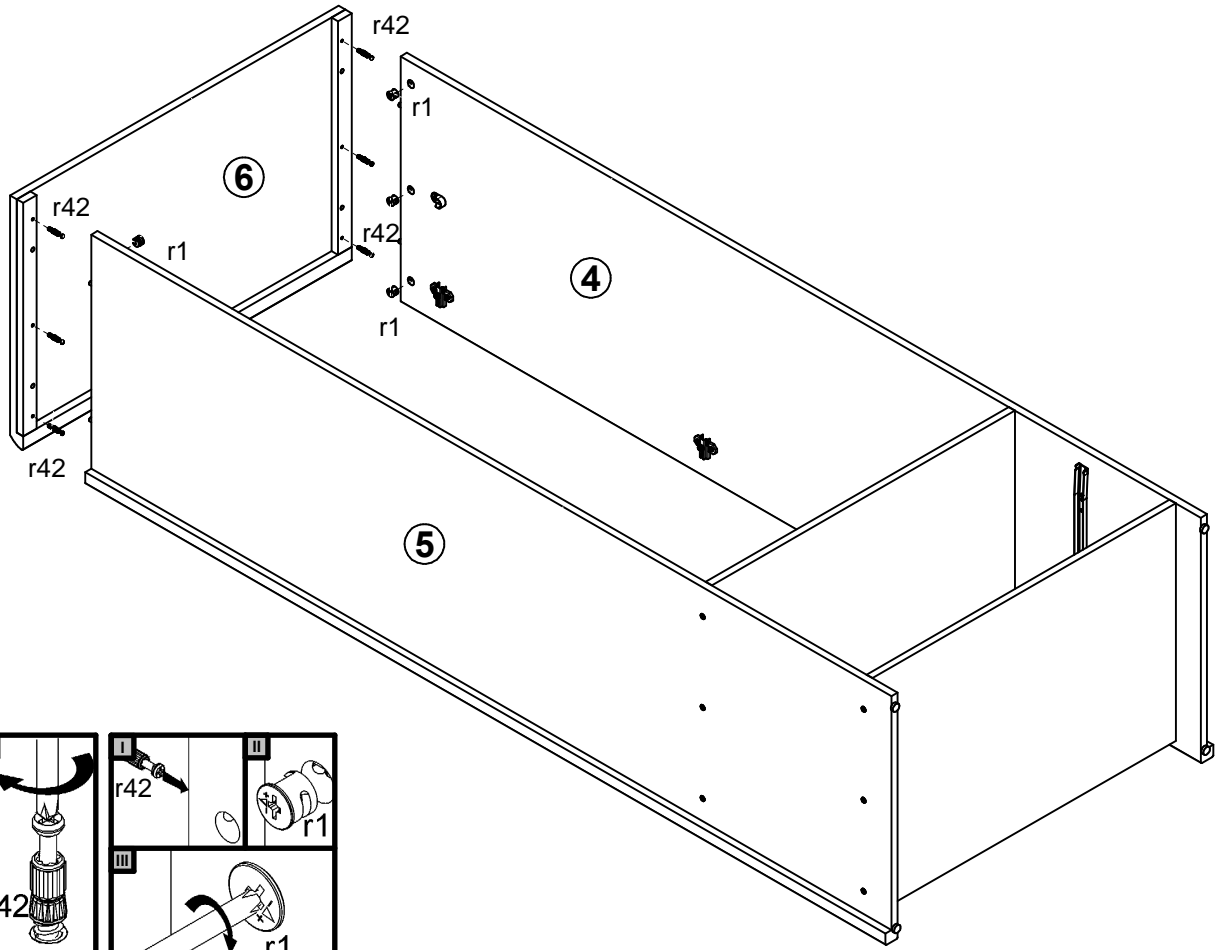
# 1



# 2



# 3



# 4

