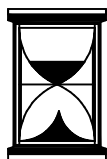
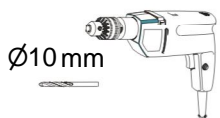
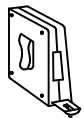
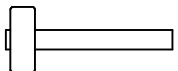
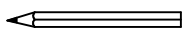
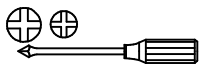
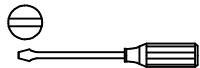
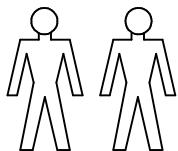
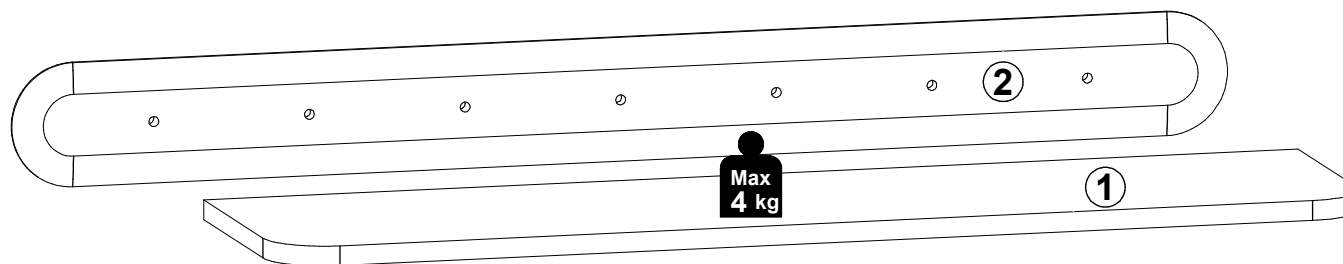
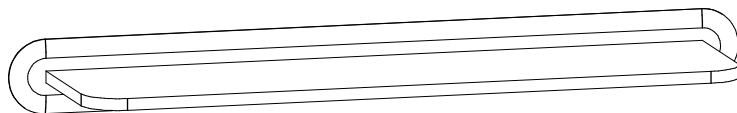
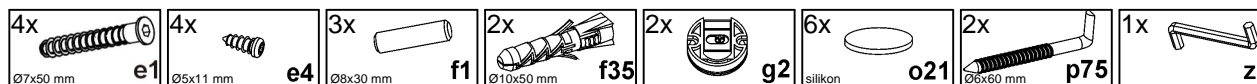


A**S220-P/1/10****20min**

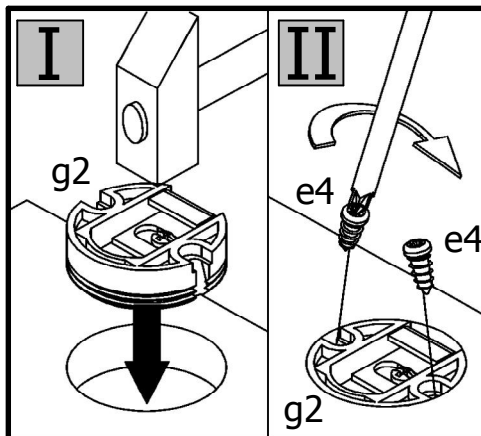
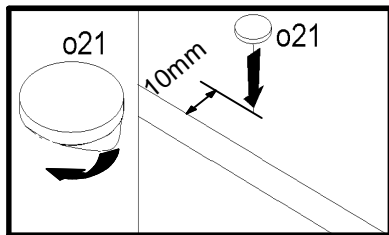
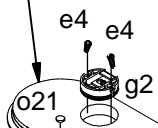
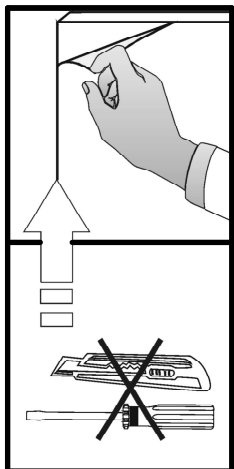
A	B	C (mm)		D
1	S220-3007	900	231	1/1
2	S220-4003	100	1000	1/1



A

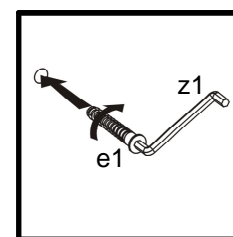
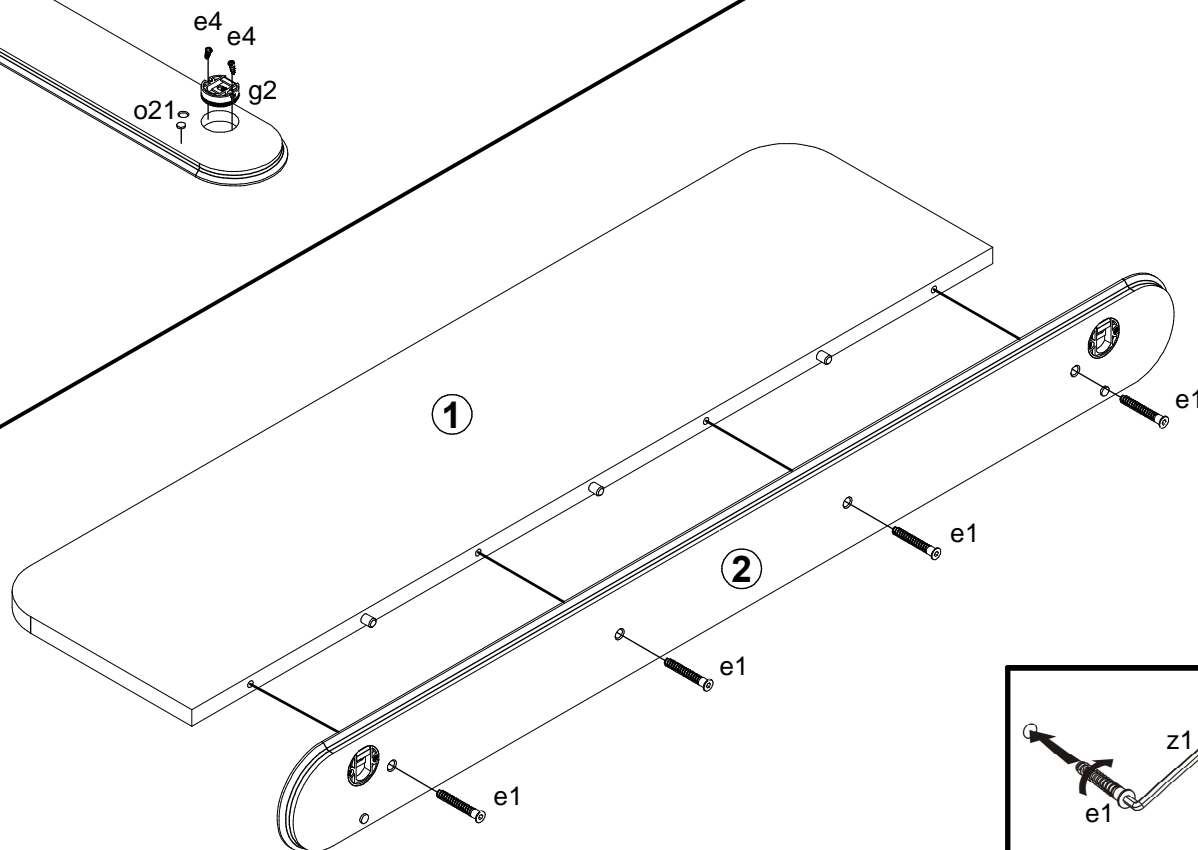
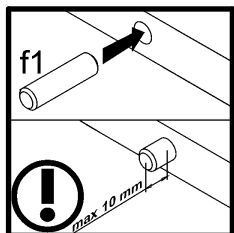
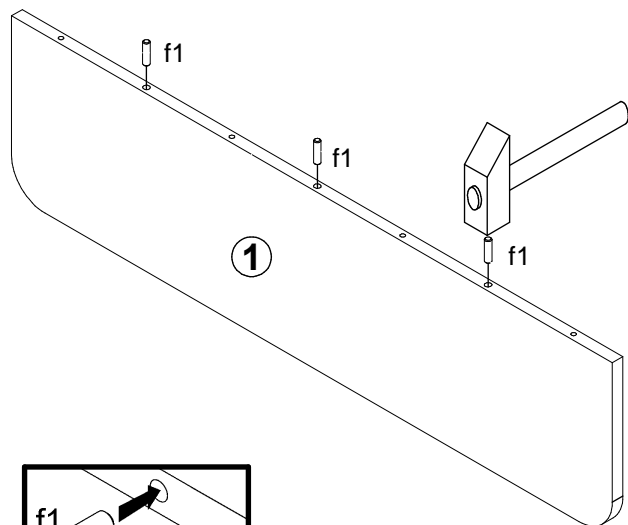
S220-P/1/10

3 / 4



1

2



3 

