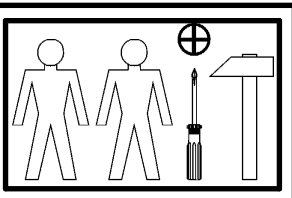
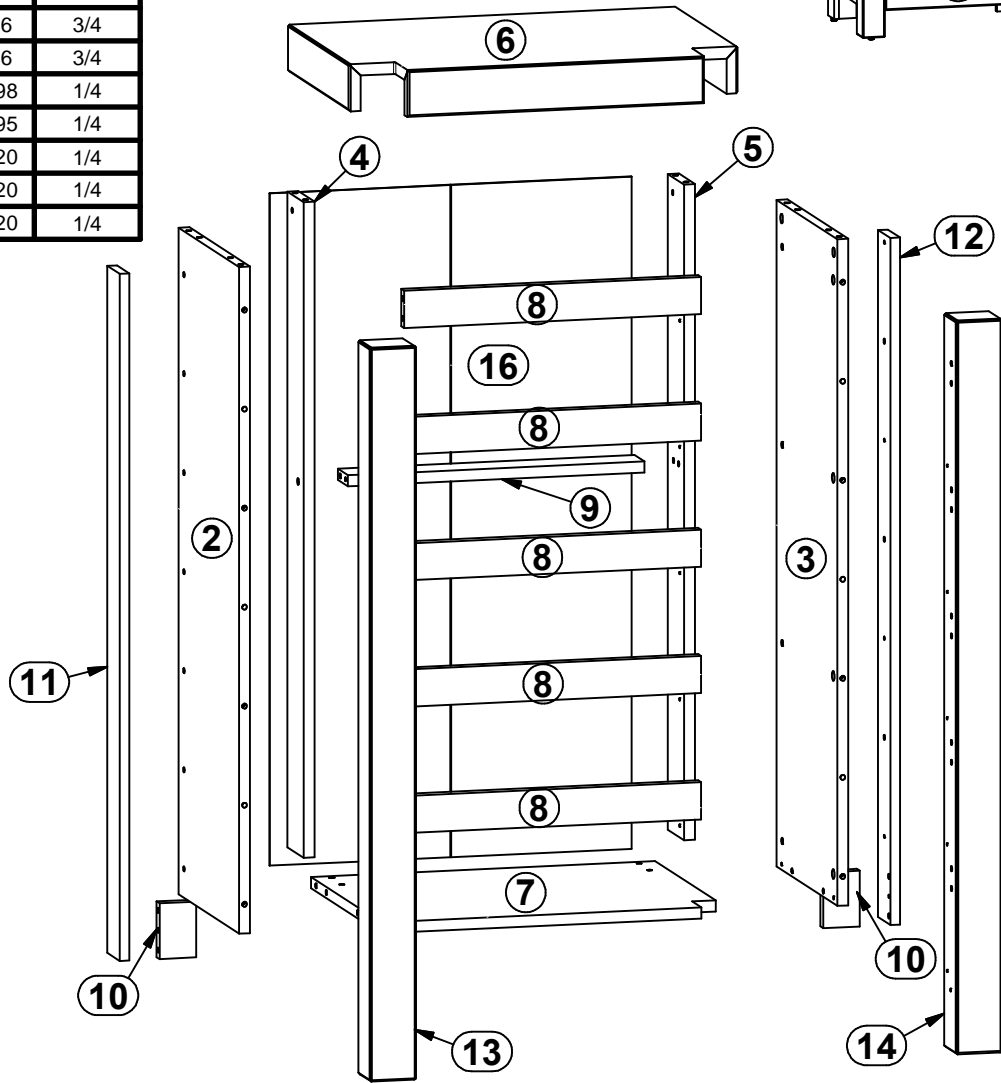
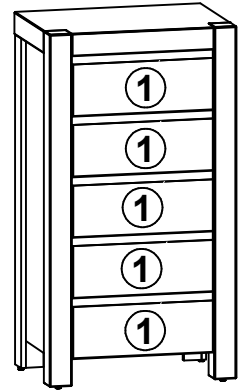


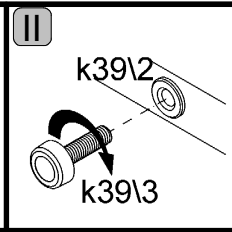
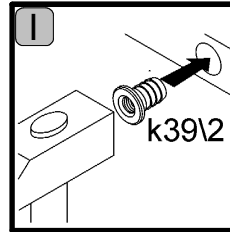
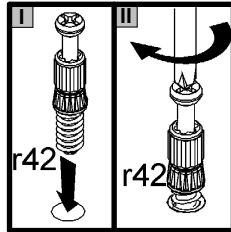
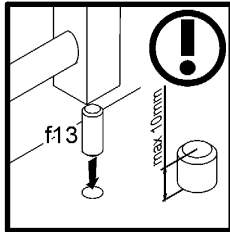
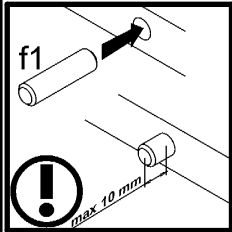
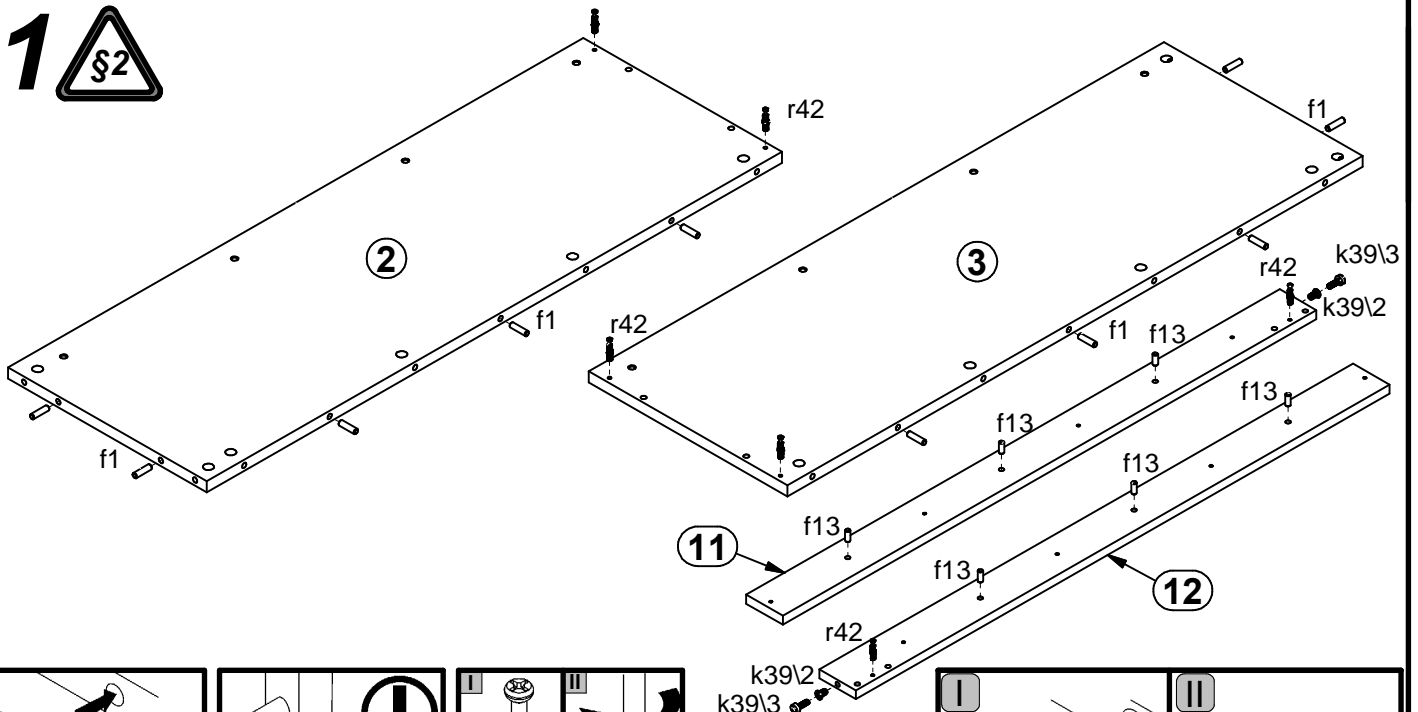
# S83-KOM5S S177-KOM5S S180-KOM5S

A	B	C	D	
1	S83-013	484	176	4/4
2	S83-118	1077	372	1/4
3	S83-119	1077	372	1/4
4	S83-120	1059	100	1/4
5	S83-121	1059	100	1/4
6	S83-206	640	452	2/4
7	S83-311	566	429	2/4
8	S83-405	488	60	2/4
9	S83-413	488	60	2/4
10	S83-575	90	60	3/4
11	S83-588	1110	76	3/4
12	S83-589	1110	76	3/4
13	S83-592	1186	76	3/4
14	S83-593	1186	76	3/4
15	S83-910	450	398	1/4
16	S83-911	1086	595	1/4
17	ZS1-517	400	120	1/4
18	ZS1-518	400	120	1/4
19	ZS1-6530	439	120	1/4

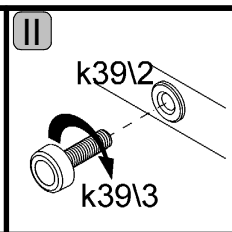
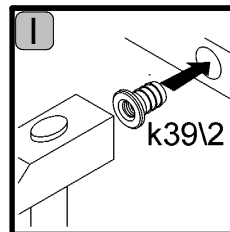
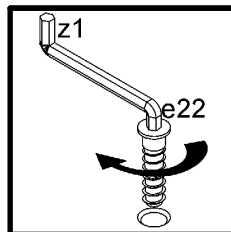
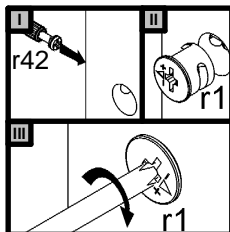
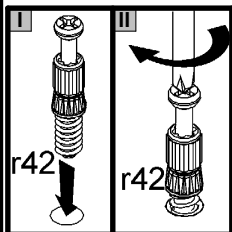
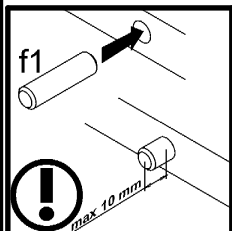
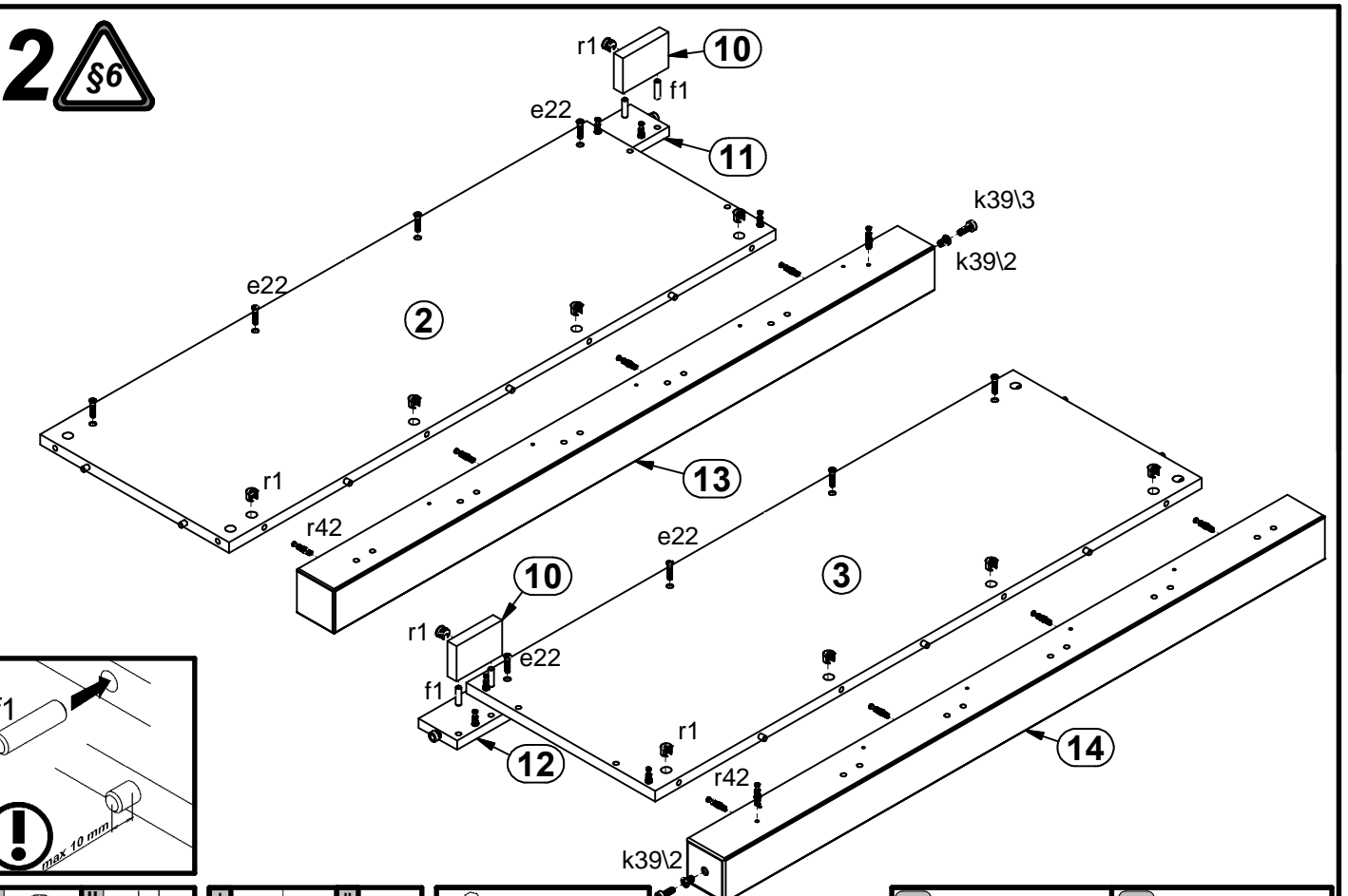


2x  φ7x50 mm <b>e1</b>	20x  φ6x13 mm <b>e3</b>	20x  φ5x9 mm <b>e19</b>	8x  φ7x28 mm <b>e22</b>	48x  φ8x30 mm <b>f1</b>	6x  φ8x20 mm <b>f13</b>	20x  φ6.5x40 mm <b>f25</b>	4x  M6/φ8x14 mm <b>k3912</b>	4x  M6/22mm <b>k3913</b>
60x  <b>l1</b>	20x  φ1.5x12mm #16 <b>r1</b>	20x  φ1.2x10.5mm #12 <b>r15</b>	40x  <b>r42</b>	5x  400 mm <b>w51CL</b>	5x  400 mm <b>w51CR</b>	5x  400 mm <b>w51DL</b>	5x  400 mm <b>w51DR</b>	1x  <b>z1</b>
1x  <b>n2611</b>	1x  φ3.5x16 mm <b>p38</b>							

# 1

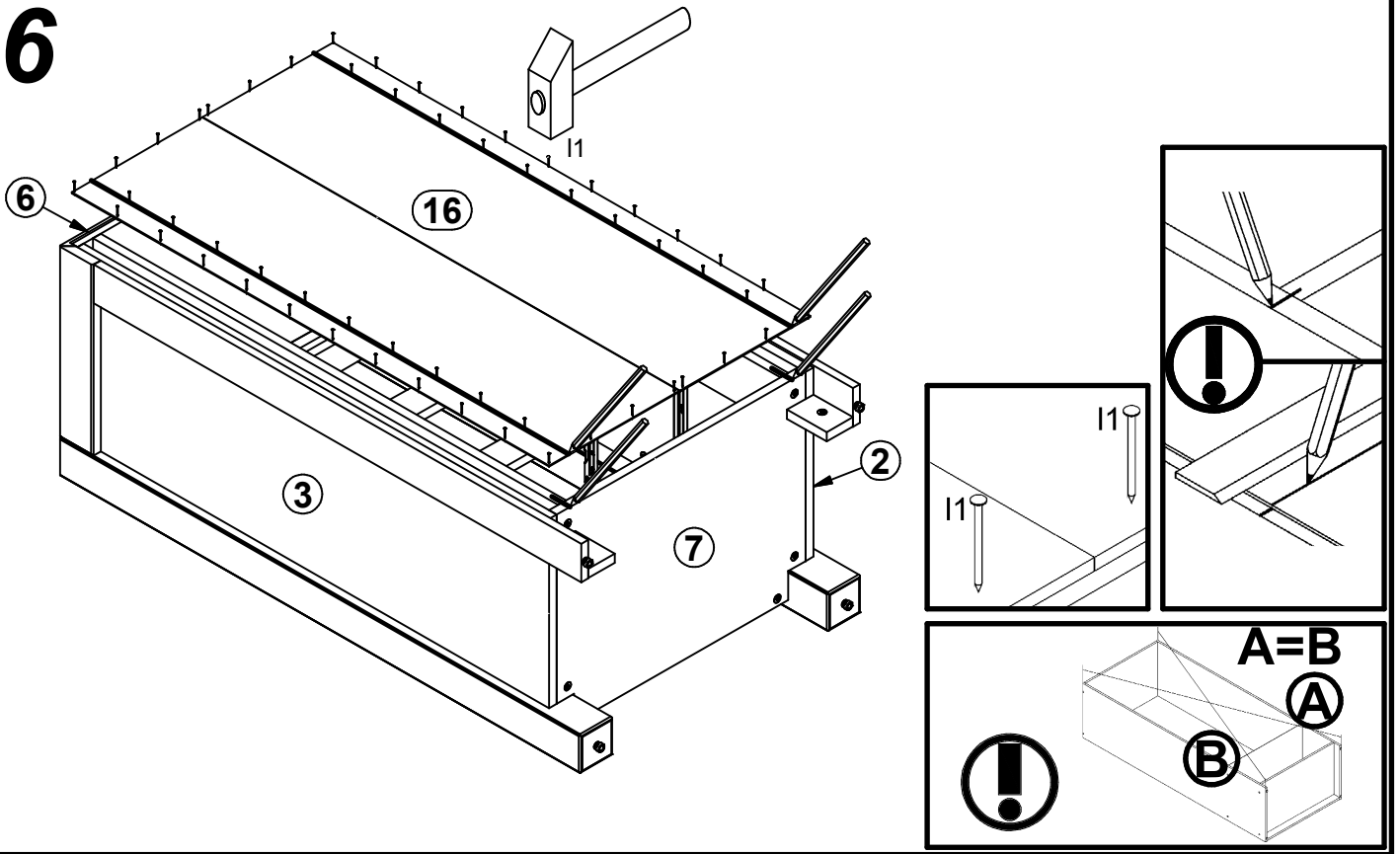


# 2





# 6



# 7

