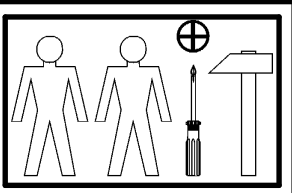
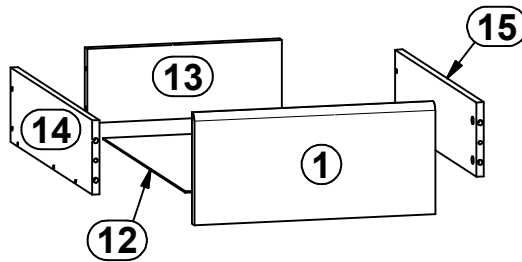
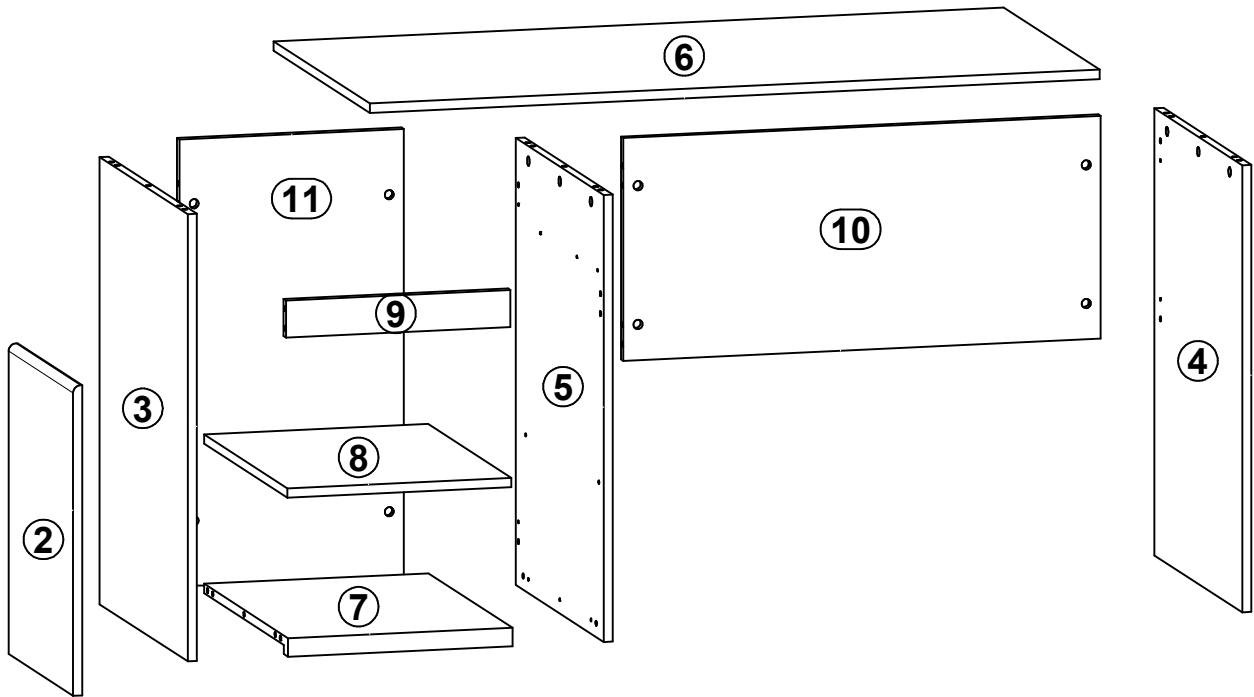
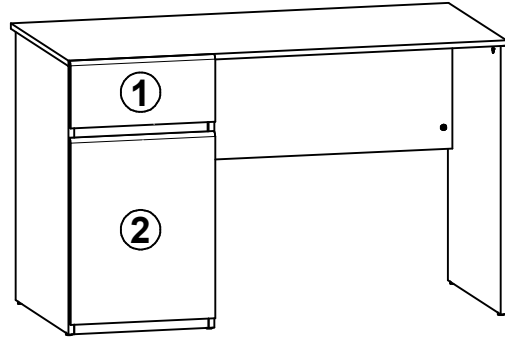
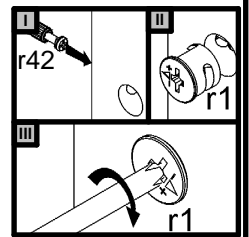
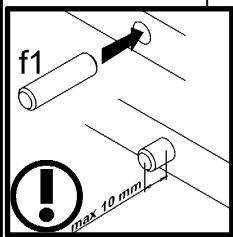
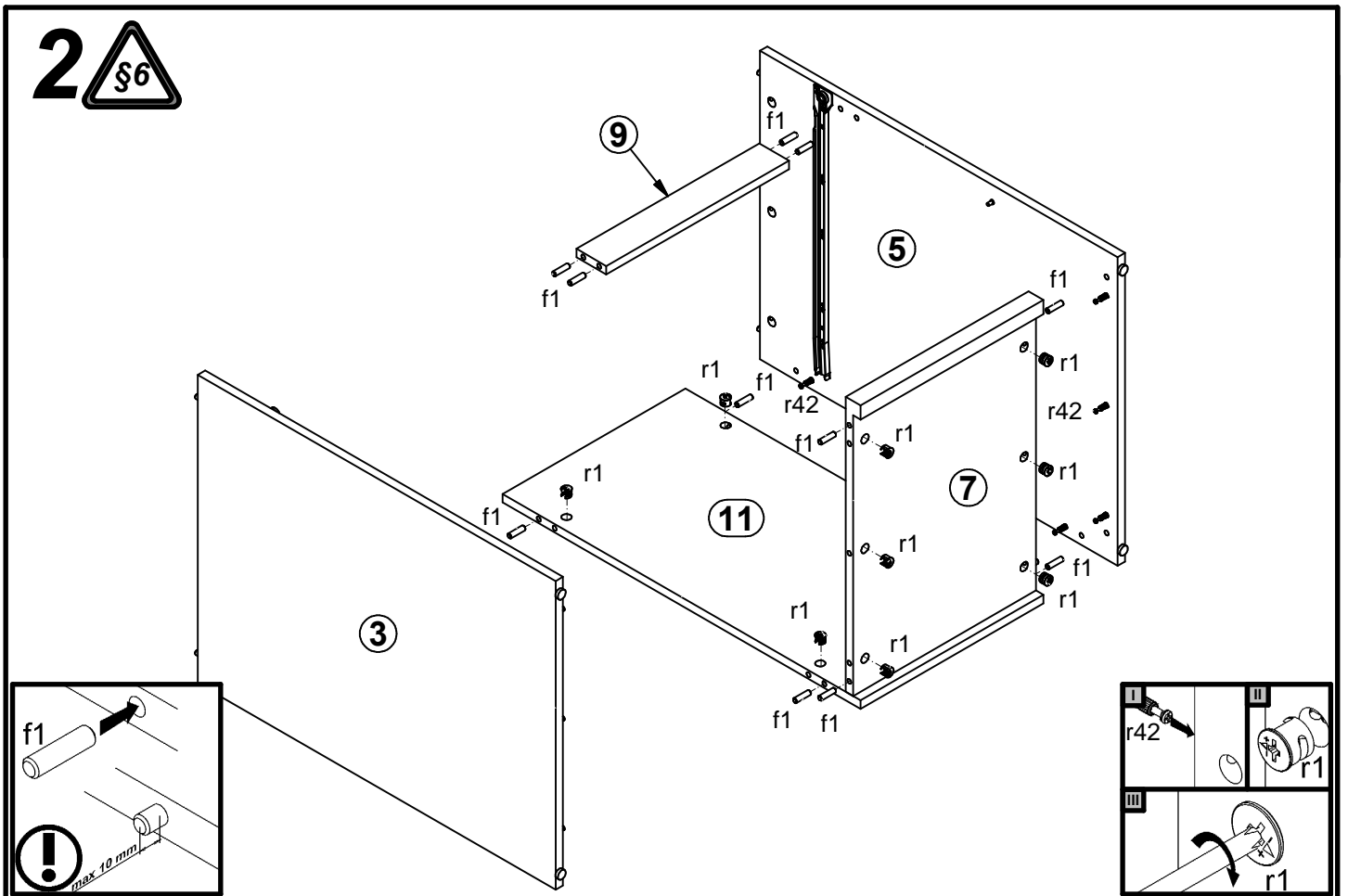
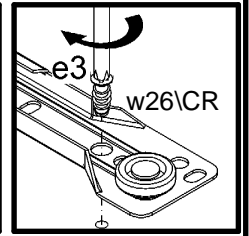
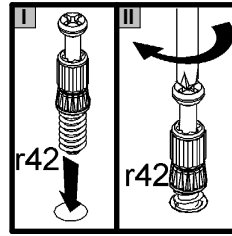
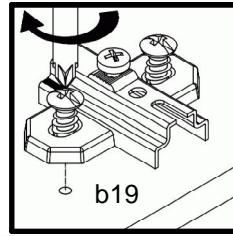
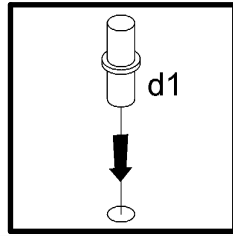
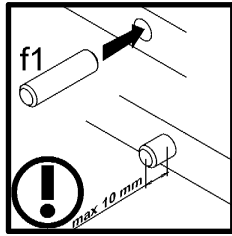
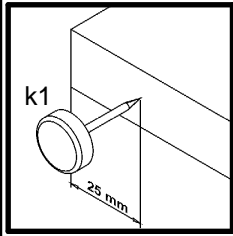
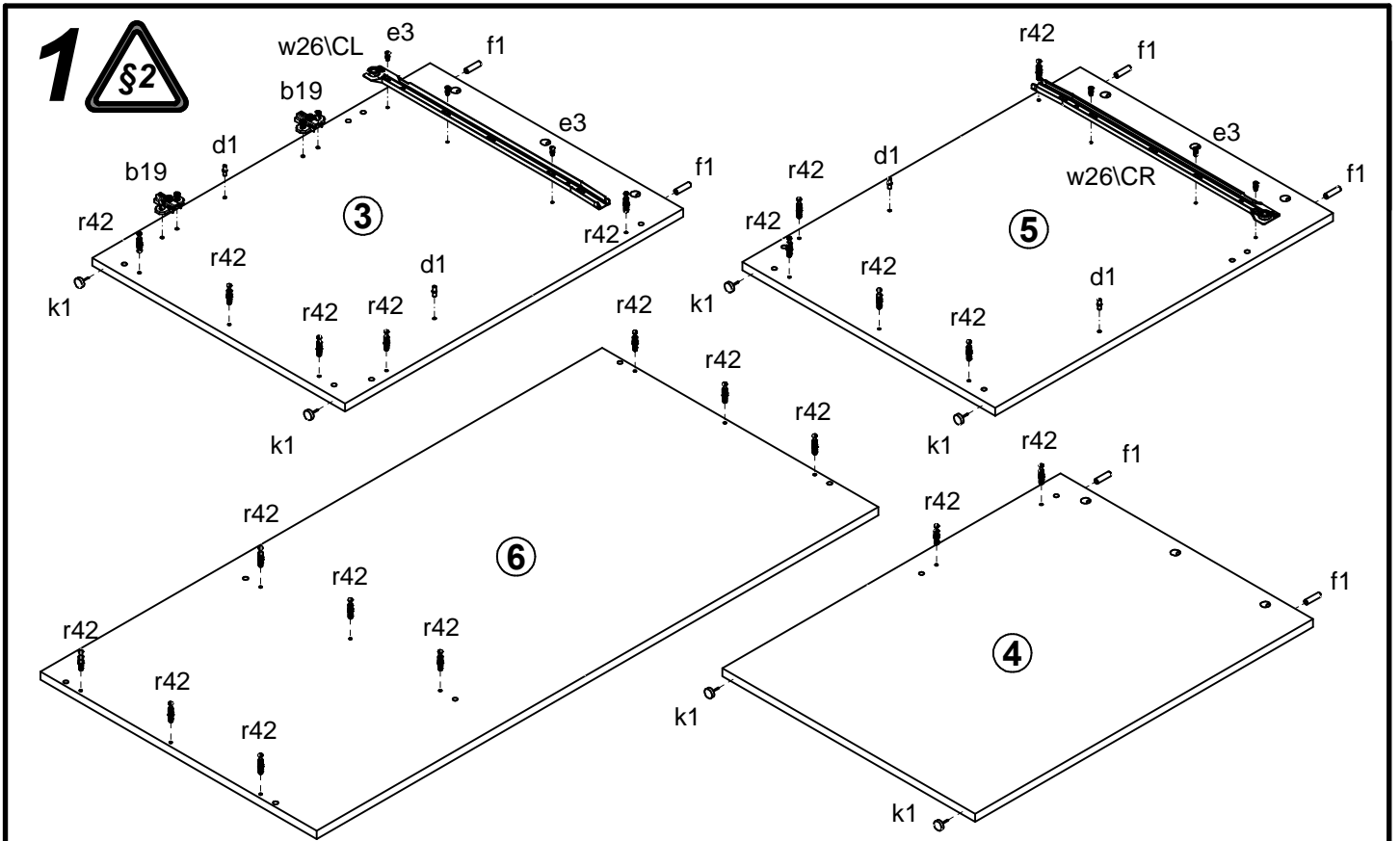


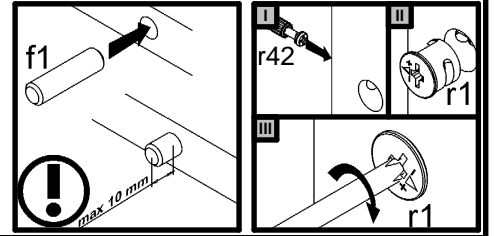
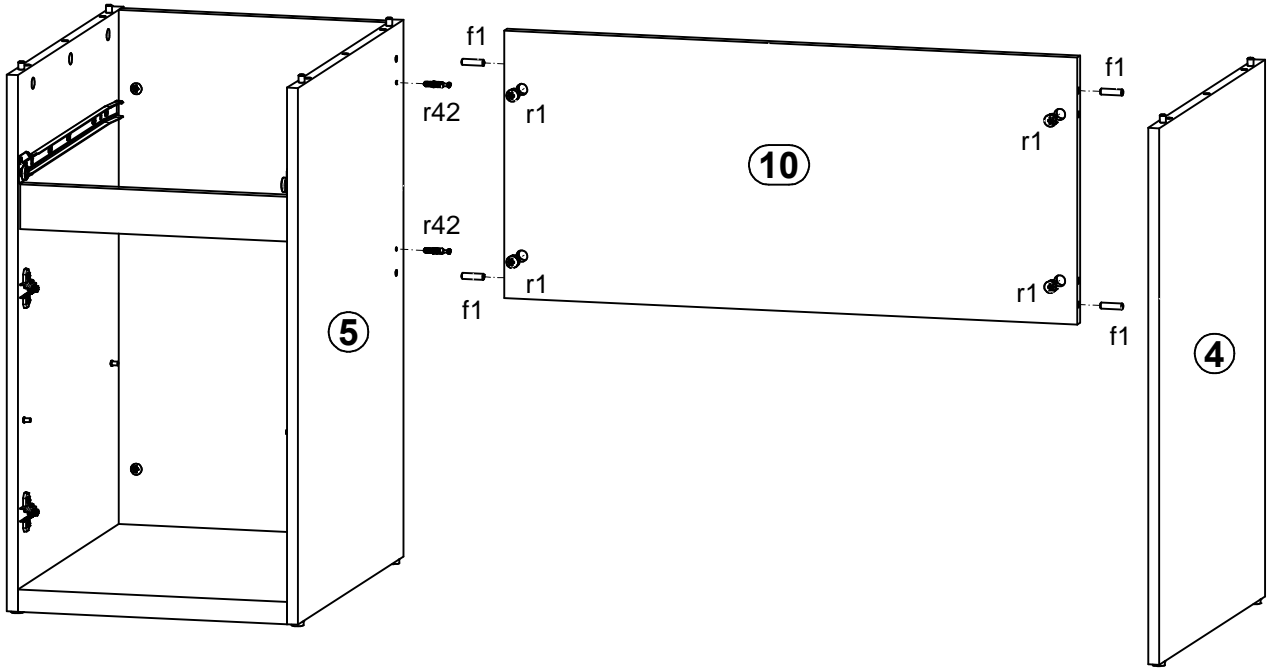
A	B	C	D	
1	S324-017	396	180	3/3
2	S324-018	396	501	3/3
3	S324-125	722	540	1/3
4	S324-126	722	540	1/3
5	S324-127	722	540	1/3
6	S324-207	1200	590	2/3
7	S324-319	369	516	1/3
8	S324-320	368	511	2/3
9	S324-412	369	60	2/3
10	S324-414	785	360	2/3
11	S324-415	722	369	1/3
12	S324-918	342	505	1/3
13	ZS3-5507	320	120	1/3
14	ZS4-505	500	120	1/3
15	ZS4-506	500	120	1/3



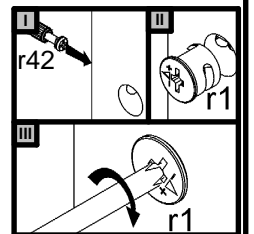
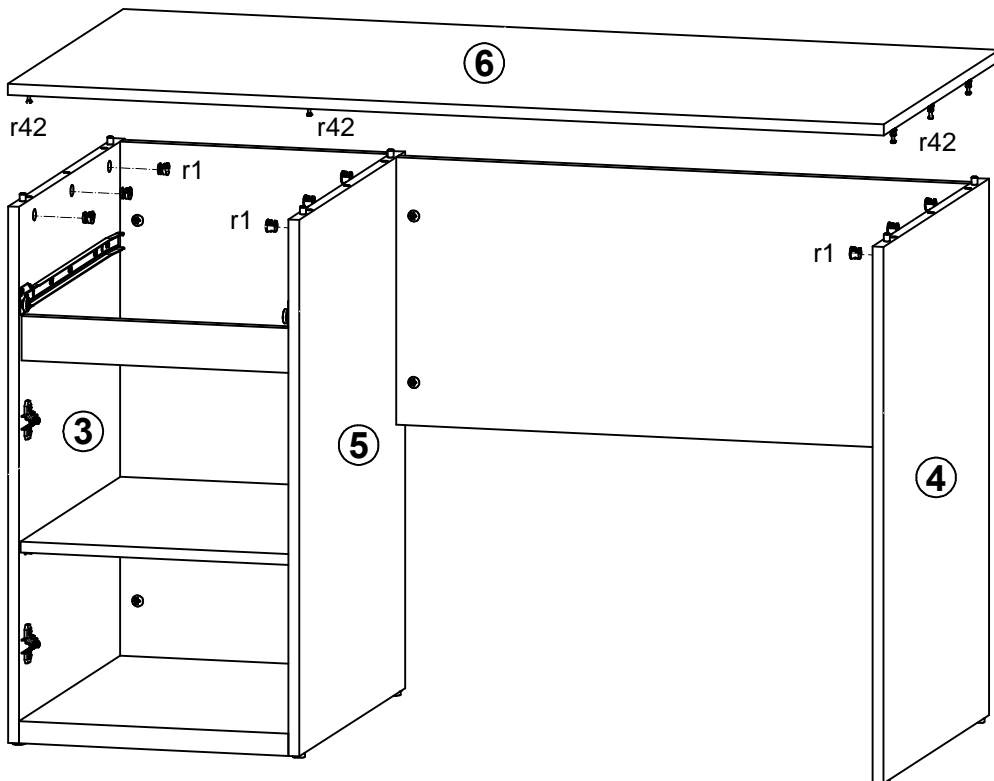
2x a44	2x b19	4x d1 Ø5x17 mm	6x e3 Ø6x13 mm	6x e19 Ø5x9 mm	22x f1 Ø8x30 mm	2x f9 Ø6x30 mm	4x f25 Ø6.5x40 mm	6x k1
4x o21 silikon	3x p38 Ø3.5x16 mm	4x p51 Ø3.5x15 mm	23x r1 Ø15x12 mm #16	4x r15 Ø12x10.5 mm #12	27x r42 20/11	11x s2 Ø16	1x w26\CL 500 mm	1x w26\CR 500 mm
1x w26\DL 500 mm	1x w26\DR 500 mm							



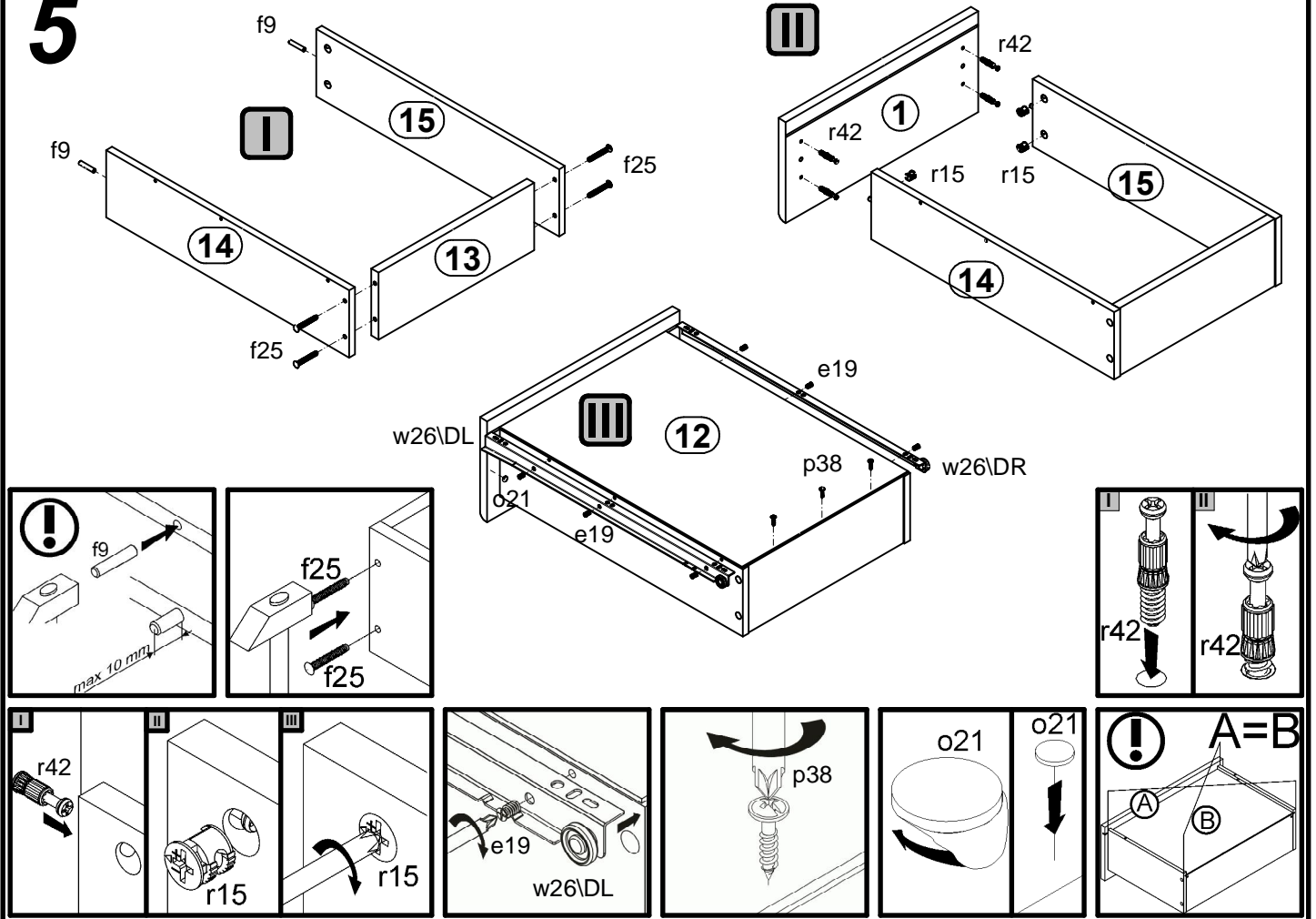
# 3



# 4



# 5



# 6

